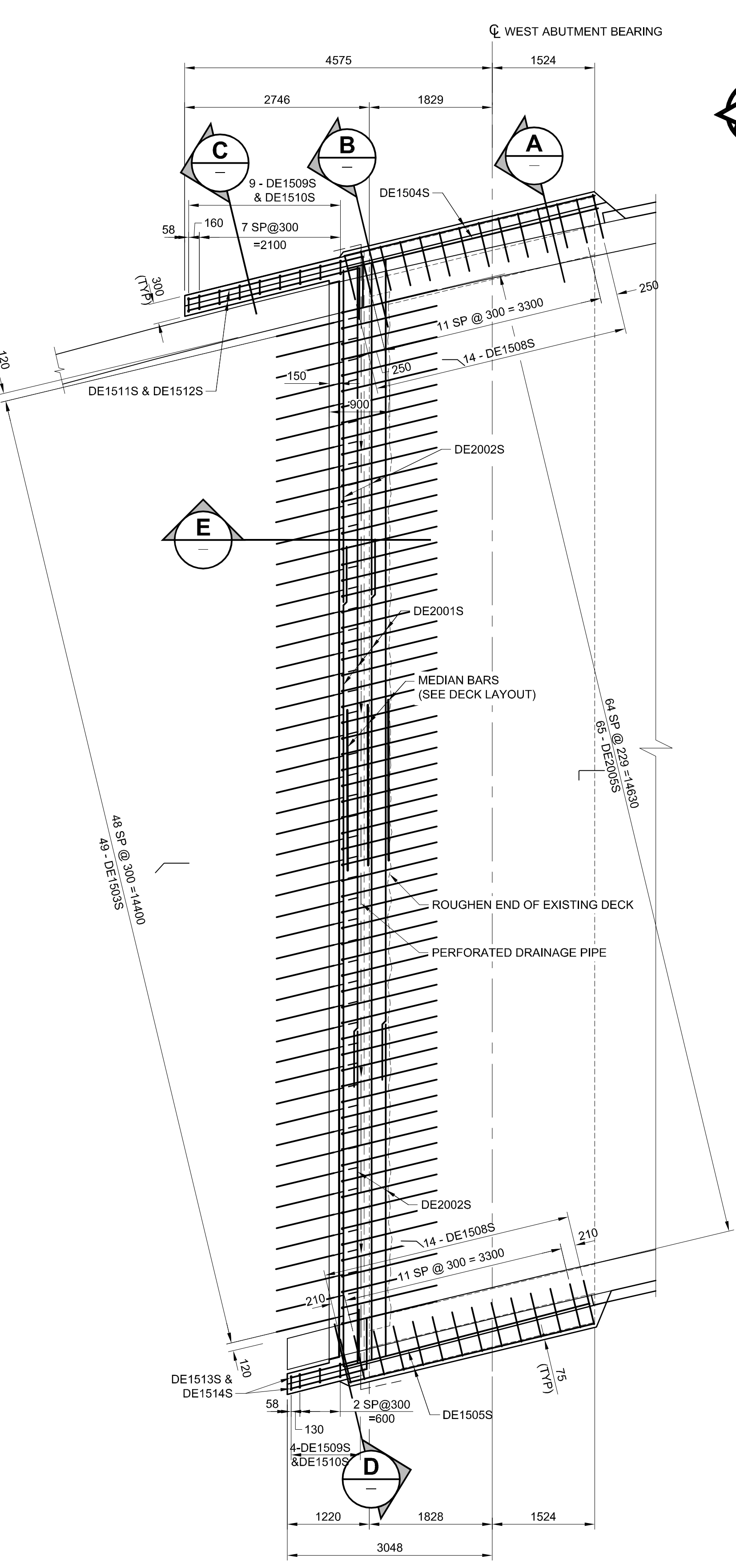
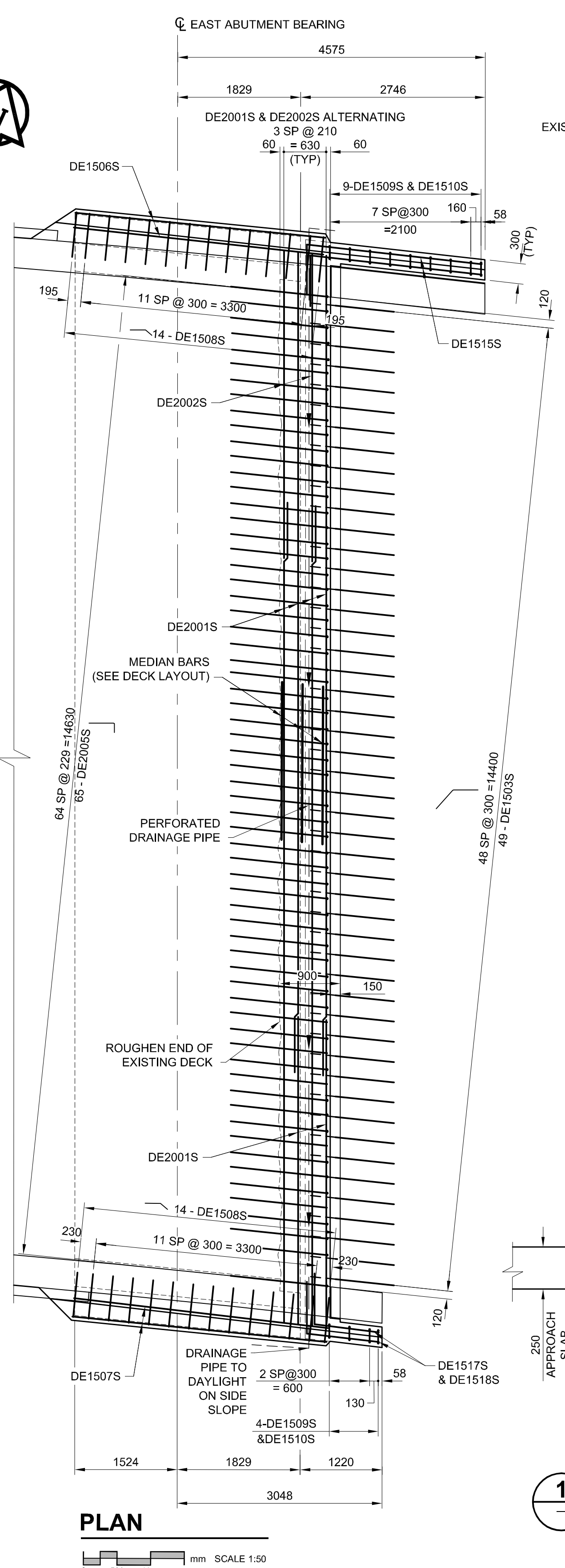


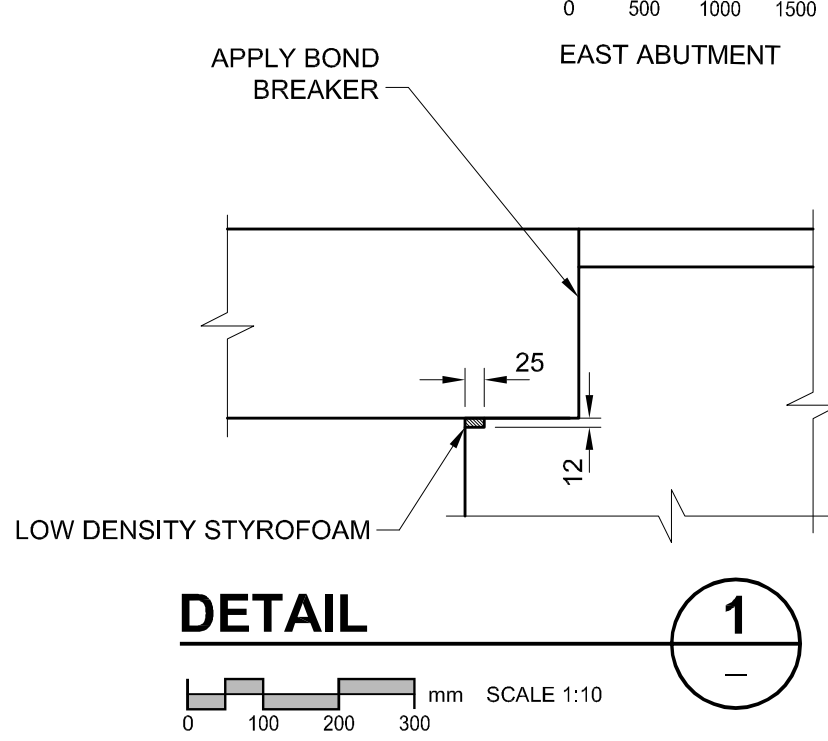
A1 SIZE 23.4" x 33.1" (594mm x 841mm) PLOT: 10/03/24 11:01:42 AM AECOM FILE NAME: 0265-412-00_01-S-0502_RX.dwg Saved By: crossmanc



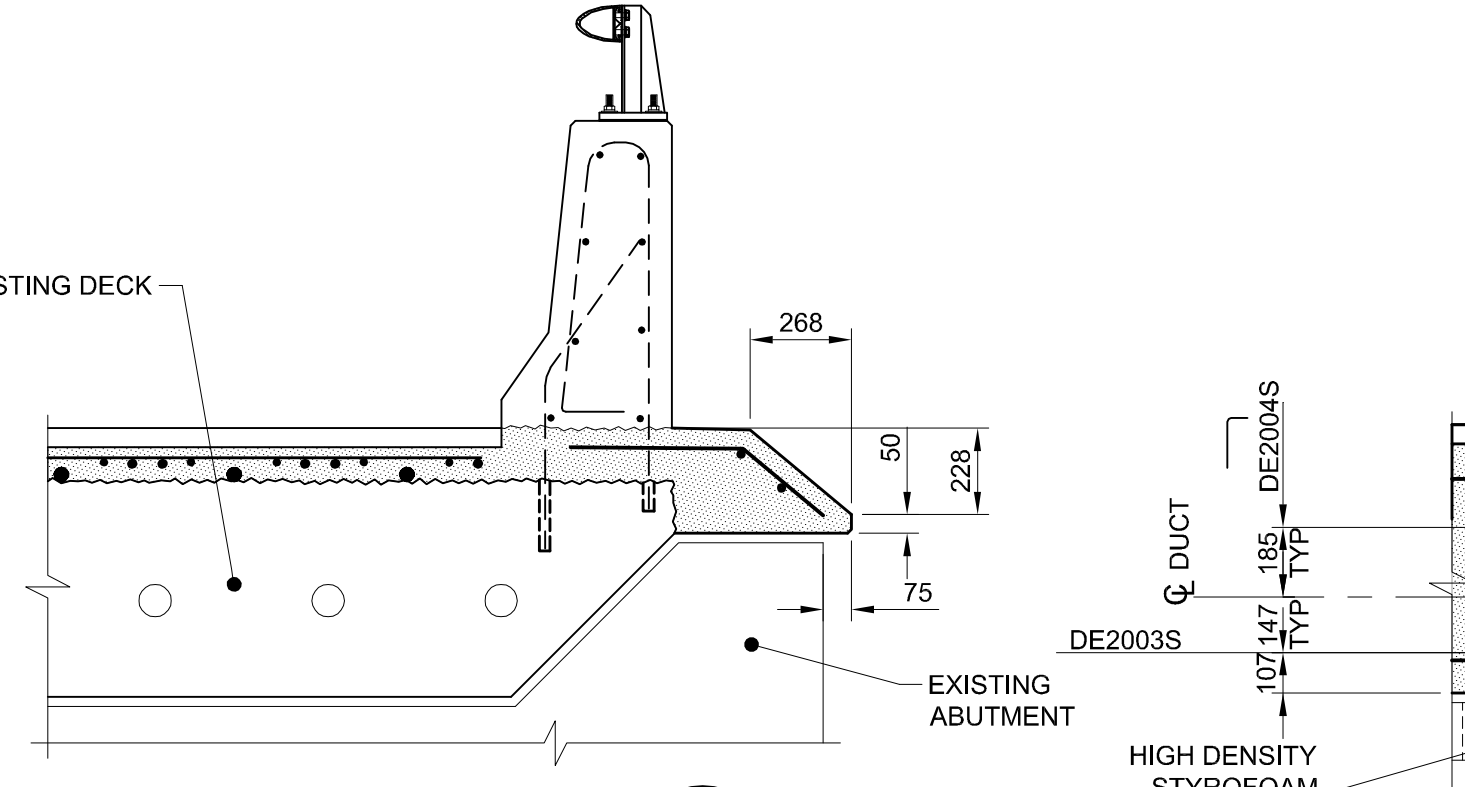
PLAN
SCALE 1:50
WEST ABUTMENT



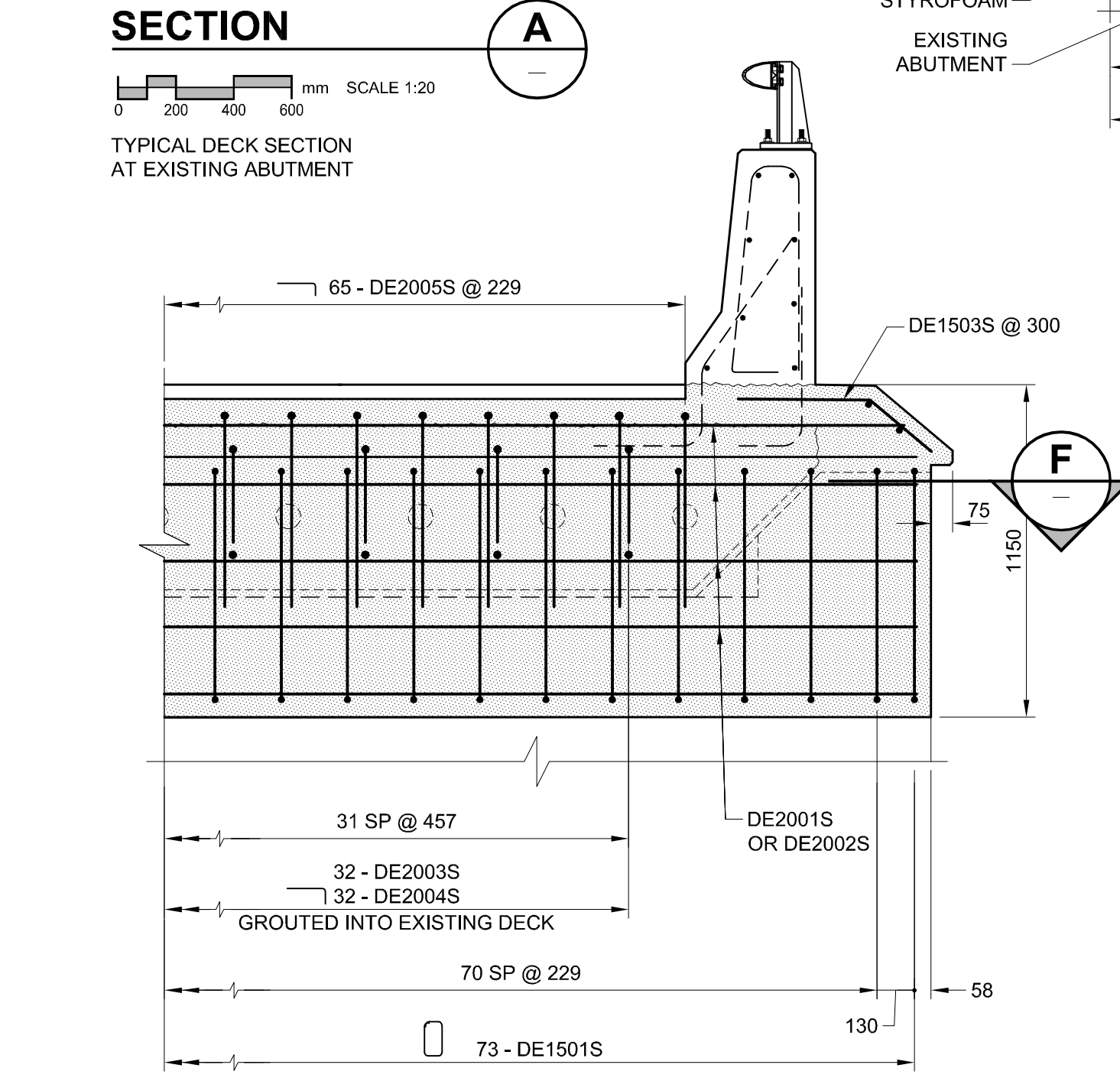
PLAN
SCALE 1:50
EAST ABUTMENT



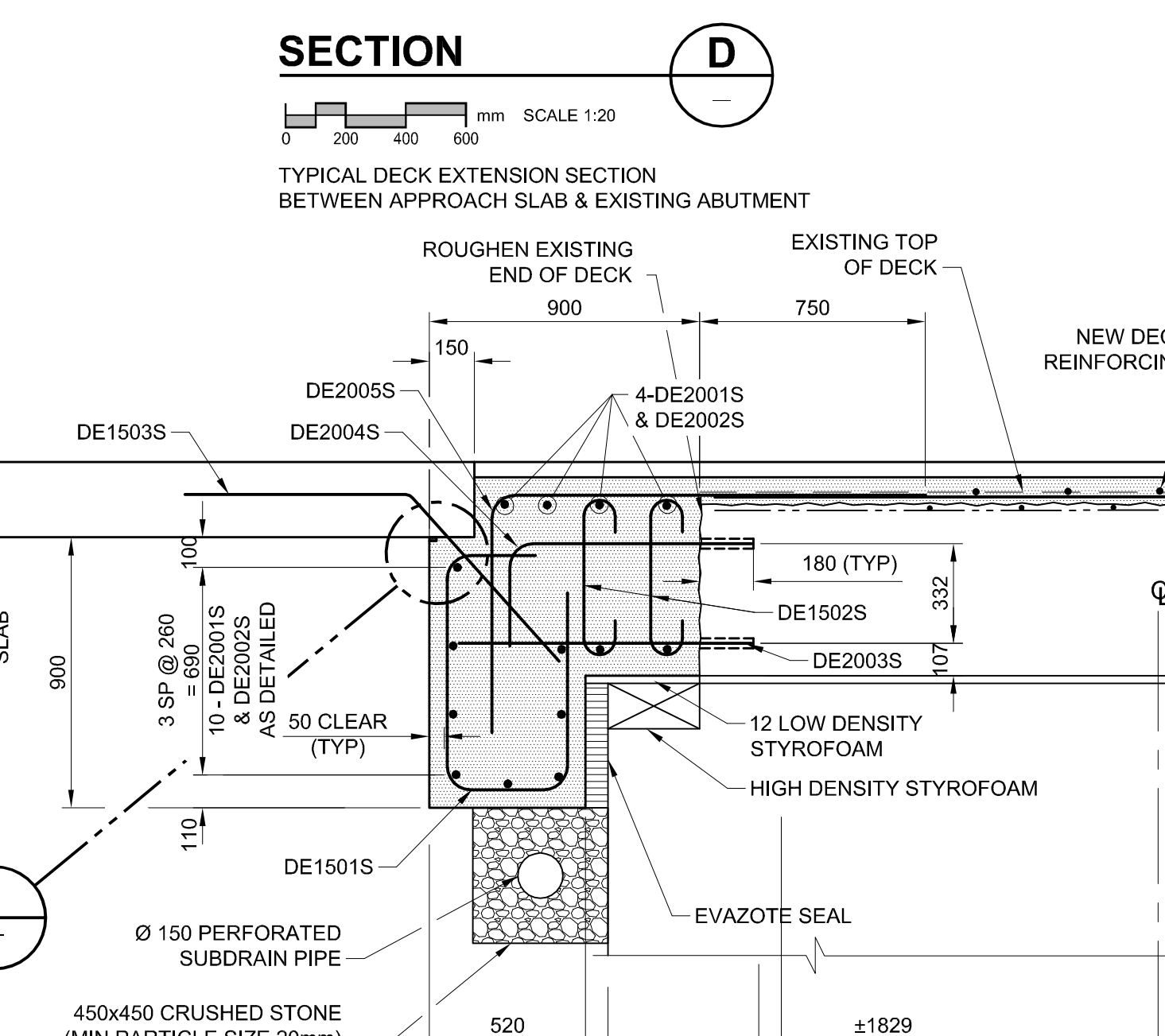
DETAIL
SCALE 1:10



SECTION A
SCALE 1:20
TYPICAL DECK SECTION AT EXISTING ABUTMENT



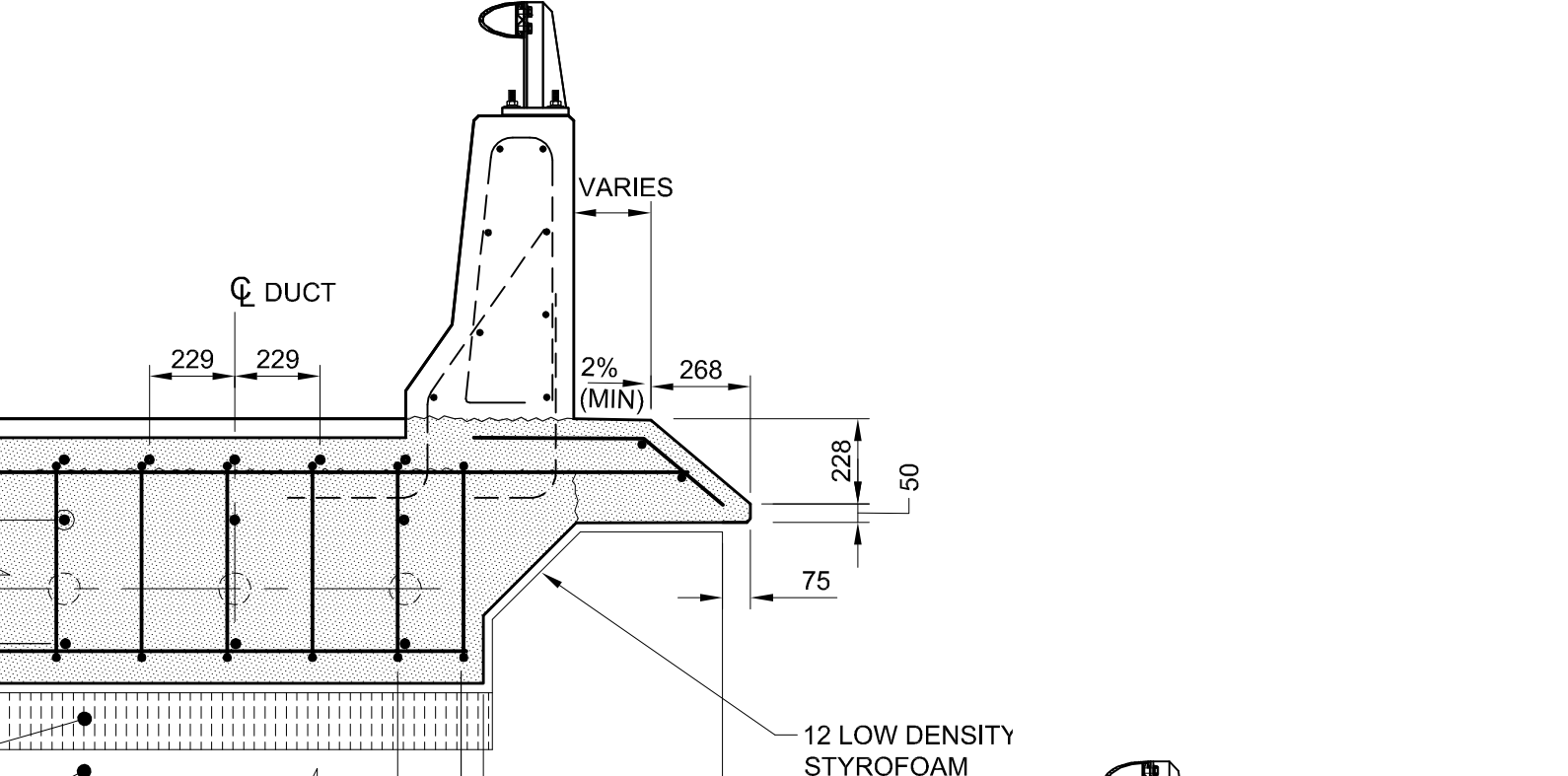
SECTION B
SCALE 1:20
TYPICAL DECK EXTENSION SECTION AT EXISTING APPROACH SLAB SEAT



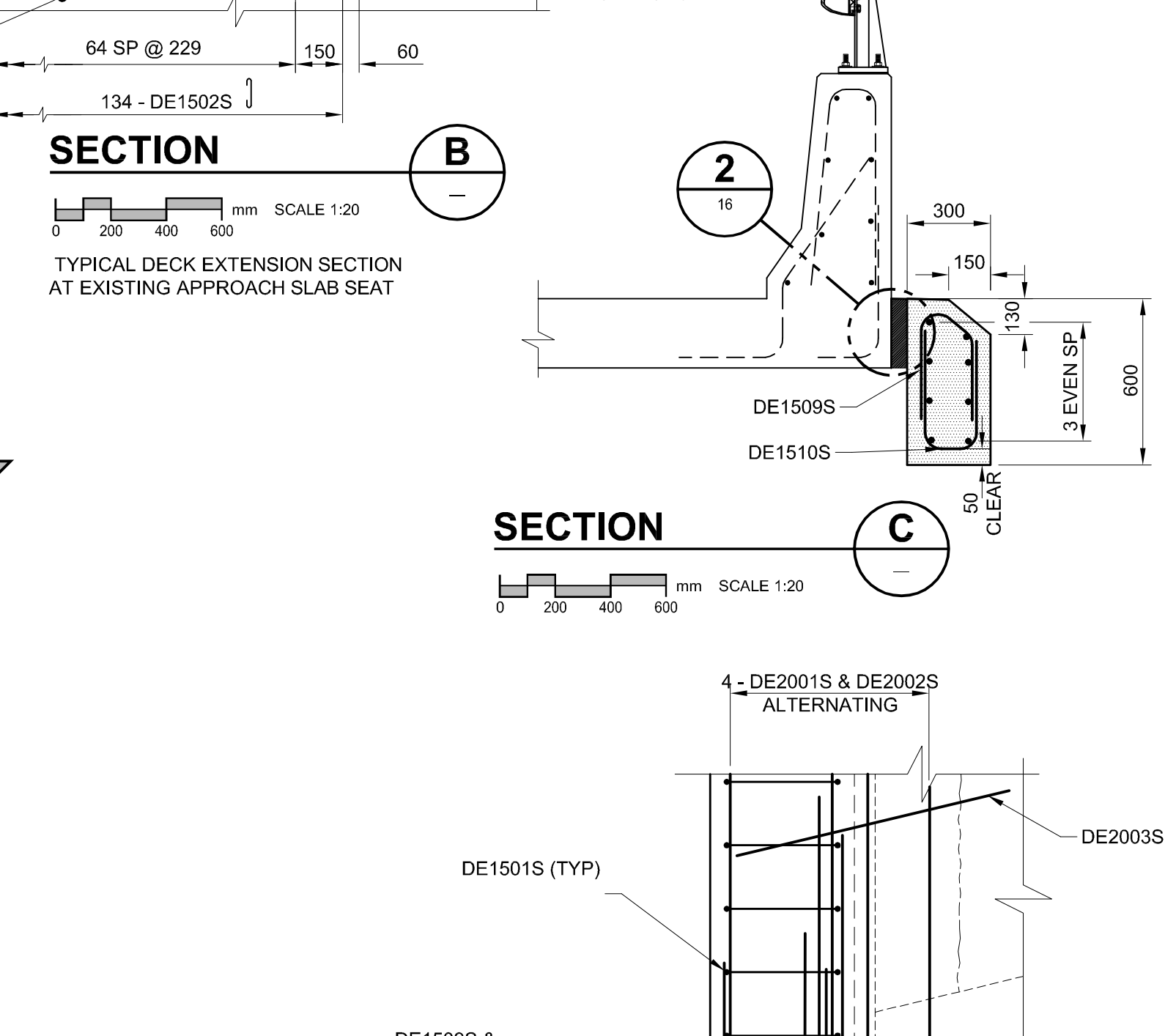
SECTION D
SCALE 1:20
TYPICAL DECK EXTENSION SECTION BETWEEN APPROACH SLAB & EXISTING ABUTMENT



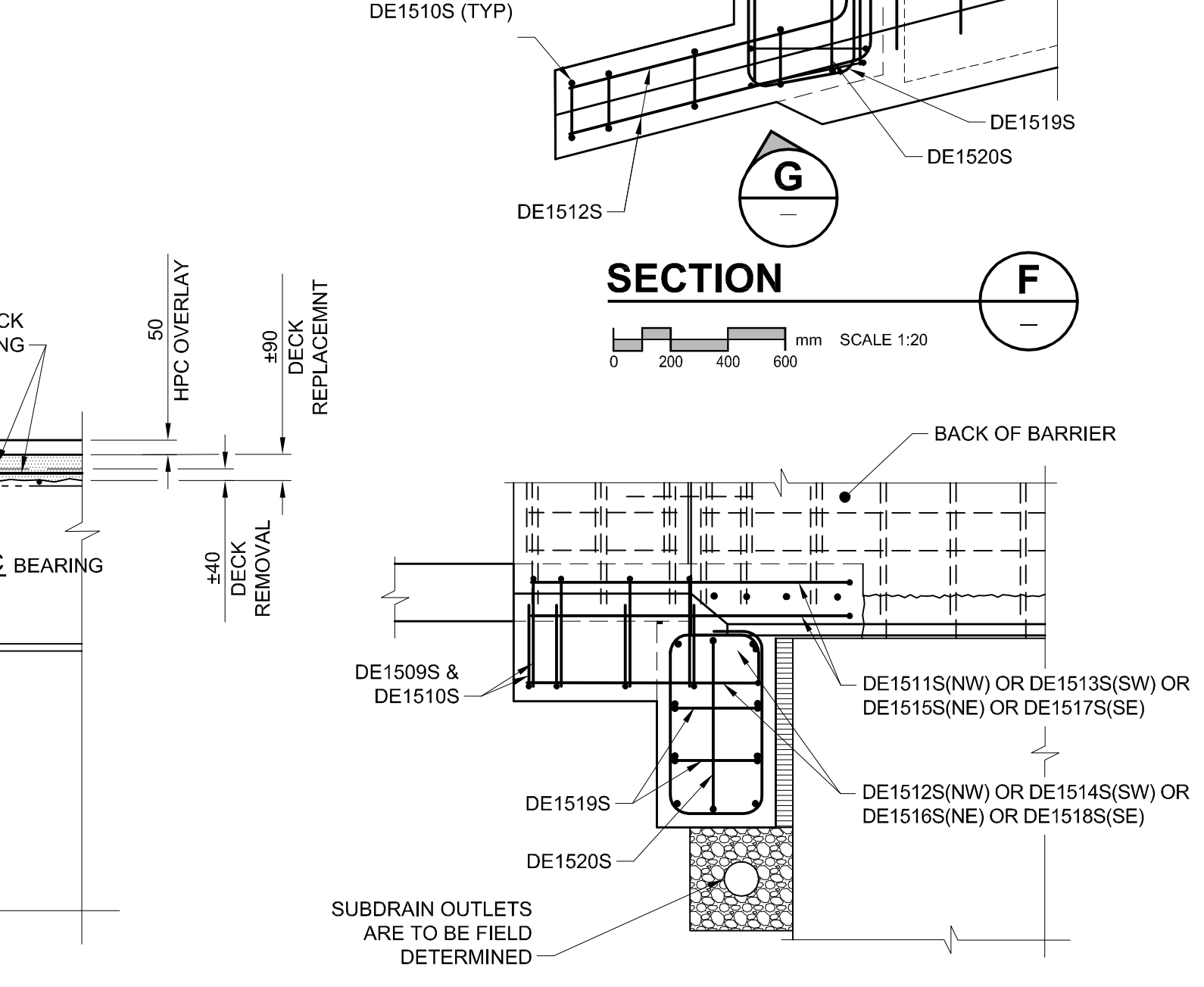
SECTION E
SCALE 1:20



SECTION C
SCALE 1:20



SECTION F
SCALE 1:20



ELEVATION G
SCALE 1:25

LOCATION APPROVED UNDERGROUND STRUCTURES	
SUPR. U/G STRUCTURES COMMITTEE	DATE
NOTE: LOCATION OF UNDERGROUND STRUCTURES AS SHOWN ARE BASED ON THE BEST INFORMATION AVAILABLE. BUT NO GUARANTEE IS GIVEN THAT ALL EXISTING UTILITIES ARE SHOWN OR THAT THE GIVEN LOCATIONS ARE EXACT. CONFIRMATION OF EXISTENCE AND EXACT LOCATION OF ALL SERVICES MUST BE OBTAINED FROM THE INDIVIDUAL UTILITIES BEFORE PROCEEDING WITH CONSTRUCTION.	
NO.	REVISIONS

AECOM	
DESIGNED BY	AP
CHECKED BY	SBB / CGC
DRAWN BY	DJH
APPROVED BY	
HOR. SCALE	AS NOTED
VERT. SCALE	AS NOTED
DATE	YYMMDD

PROFESSIONAL'S SEAL
 PROVINCE OF MANITOBA
 ORIGINAL SIGNED
A. POCHANART
 Member 90017
 MARCH 24/2019
 REGISTERED PROFESSIONAL ENGINEER

THE CITY OF WINNIPEG
 PUBLIC WORKS DEPARTMENT
 ENGINEERING DIVISION

JUBILEE AVENUE OVERPASS REHABILITATION

DECK EXTENSION CONCRETE & REINFORCING DETAILS

CITY DRAWING NUMBER B124-10-09
 SHEET 09 OF 51
 DRAWING No. 09
 REV 0

BID OPPORTUNITY NO. 133-2010