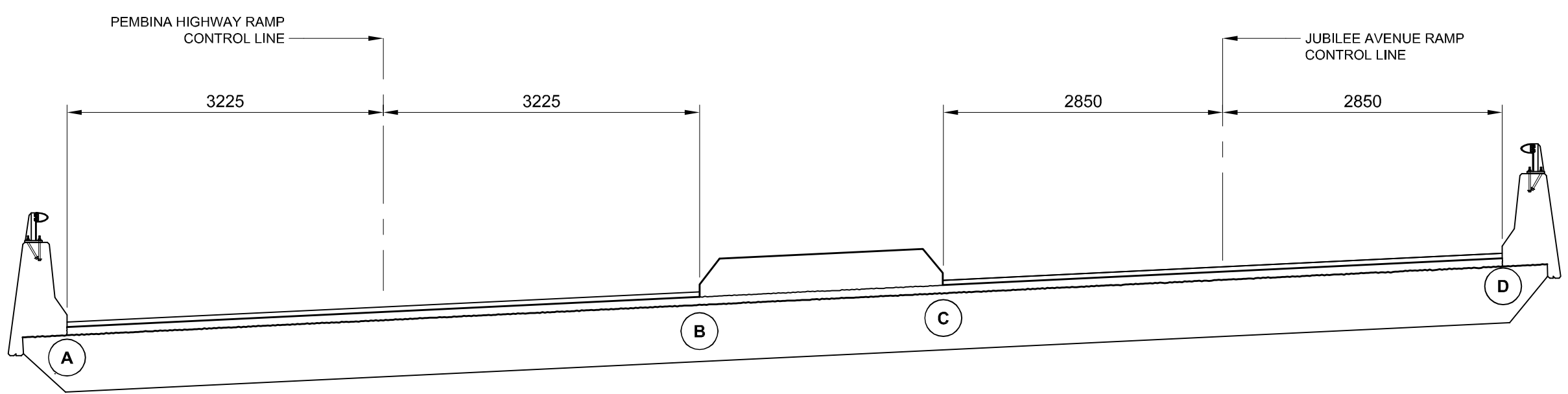


PLAN
SCALE 1:150

- NOTE:
 1. POSITIVE DEFLECTION = DOWNWARD
 2. STAGE 1 - MEDIAN REMOVAL
 3. STAGE 2 - DECK REMOVAL
 4. STAGE 3 - BARRIERS REMOVAL
 5. STAGE 4 - BARRIERS PLACEMENT
 6. STAGE 5 - DECK PLACEMENT
 7. STAGE 6 - MEDIAN PLACEMENT
 8. STAGE 7 - HPC OVERLAY PLACEMENT



SECTION
SCALE 1:50
RADIAL SECTION

FINISHED PAVEMENT ELEVATIONS																					
	1	2	3	4	5	6	7	8	9	10	11	12	13	14	15	16	17	18	19	20	21
PEMBINA HIGHWAY RAMP STATION	4+07.732	4+10.895	4+14.059	4+17.222	4+20.385	4+23.548	4+26.383	4+29.217	4+32.051	4+34.885	4+37.719	4+40.554	4+43.388	4+46.222	4+49.056	4+51.891	4+55.000	4+58.110	4+61.220	4+64.330	4+67.440
AT 3.225m RIGHT OFFSET																					
DESIGNED ELEVATION A (m)	234.878	234.886	234.894	234.901	234.909	234.917	234.924	234.931	234.938	234.945	234.952	234.959	234.958	234.950	234.943	234.935	234.926	234.918	234.909	234.901	234.892
DEFLECTION STAGE 1-5 (m)	0.000	-0.001	-0.001	-0.001	0.000	0.000	-0.002	-0.005	-0.008	-0.010	-0.011	-0.011	-0.008	-0.005	-0.002	0.000	0.000	0.000	-0.001	-0.001	0.000
DEFLECTION STAGE 6-7 (m)	0.000	0.000	0.000	-0.001	-0.001	0.000	0.002	0.004	0.006	0.008	0.009	0.008	0.007	0.004	0.002	0.000	-0.001	-0.001	0.000	0.000	0.000
AT 3.225m RIGHT OFFSET																					
DESIGNED ELEVATION B (m)	235.178	235.188	235.198	235.208	235.218	235.228	235.237	235.245	235.254	235.263	235.272	235.265	235.259	235.252	235.245	235.238	235.231	235.223	235.216	235.209	235.201
DEFLECTION STAGE 1-5 (m)	0.001	-0.001	-0.001	-0.001	0.000	0.000	-0.001	-0.005	-0.008	-0.011	-0.012	-0.011	-0.009	-0.006	-0.002	0.000	0.000	0.000	-0.001	-0.001	0.000
DEFLECTION STAGE 6-7 (m)	0.000	0.000	0.000	0.000	-0.001	0.000	0.001	0.004	0.007	0.009	0.010	0.010	0.008	0.006	0.002	0.000	-0.001	0.000	0.000	0.000	0.000
JUBILEE AVENUE RAMP STATION	3+44.994	3+48.309	3+51.625	3+54.940	3+58.256	3+61.226	3+64.197	3+67.167	3+70.138	3+73.108	3+76.079	3+79.050	3+82.020	3+84.991	3+87.961	3+91.221	3+94.480	3+97.740	4+00.999	4+04.258	
AT 2.850m RIGHT OFFSET																					
DESIGNED ELEVATION C (m)	235.308	235.319	235.330	235.342	235.353	235.362	235.372	235.382	235.392	235.395	235.387	235.380	235.372	235.365	235.357	235.349	235.341	235.333	235.325	235.316	
DEFLECTION STAGE 1-5 (m)	0.000	-0.001	-0.001	0.000	0.000	-0.001	-0.005	-0.008	-0.010	-0.012	-0.011	-0.009	-0.006	-0.002	0.000	0.000	0.000	-0.001	-0.001	0.000	
DEFLECTION STAGE 6-7 (m)	0.000	0.000	0.000	-0.001	0.000	0.001	0.004	0.007	0.009	0.010	0.010	0.008	0.006	0.002	0.000	-0.001	0.000	0.000	0.000	0.000	
AT 2.850m RIGHT OFFSET																					
DESIGNED ELEVATION D (m)	235.597	235.599	235.600	235.602	235.604	235.606	235.607	235.609	235.610	235.609	235.607	235.604	235.601	235.598	235.595	235.592	235.589	235.588	235.547	235.526	
DEFLECTION STAGE 1-5 (m)	0.000	-0.001	-0.001	0.000	0.001	-0.001	-0.004	-0.007	-0.010	-0.011	-0.011	-0.009	-0.006	-0.002	0.000	0.000	0.000	-0.001	-0.001	0.001	
DEFLECTION STAGE 6-7 (m)	0.000	0.000	-0.001	-0.001	0.001	0.001	0.003	0.006	0.009	0.010	0.010	0.008	0.005	0.002	0.000	-0.001	-0.001	0.000	0.000	0.000	

LOCATION APPROVED
UNDERGROUND STRUCTURES

SUPR. U/G STRUCTURES COMMITTEE DATE

NOTE:
LOCATION OF UNDERGROUND STRUCTURES AS SHOWN ARE BASED ON THE BEST INFORMATION AVAILABLE. BUT NO GUARANTEE IS GIVEN THAT ALL EXISTING UTILITIES ARE SHOWN OR THAT THE GIVEN LOCATIONS ARE EXACT. CONFIRMATION OF EXISTENCE AND EXACT LOCATION OF ALL SERVICES MUST BE OBTAINED FROM THE INDIVIDUAL UTILITIES BEFORE PROCEEDING WITH CONSTRUCTION.

BM 00-000 ELEV 200.00mm			
0	ISSUED FOR CONSTRUCTION	10/03/24	CPK
A	ISSUED FOR 100% REVIEW	10/03/08	DJH
NO.	REVISIONS	YYMMDD	BY

AECOM

DESIGNED BY AP
CHECKED BY SBB / CGC

DRAWN BY CPK
APPROVED BY

HOR. SCALE AS NOTED
VERT. SCALE AS NOTED

DATE YYMMDD

AECOM
Certificate of Authorization
AECOM Canada Ltd.
Original dated on:
No. 4671 Date: 2010/03/24

PROFESSIONAL'S SEAL
PROVINCE OF MANITOBA
REGISTERED PROFESSIONAL ENGINEER
A. POCHANART
Member 9007
MARCH 24/2016

THE CITY OF WINNIPEG
PUBLIC WORKS DEPARTMENT
ENGINEERING DIVISION

JUBILEE AVENUE OVERPASS REHABILITATION

FINAL PAVEMENT ELEVATIONS FOR DECK

CITY DRAWING NUMBER B124-10-10
SHEET 10 OF 51
DRAWING No. 10
REV 0

BID OPPORTUNITY NO. 000-0000