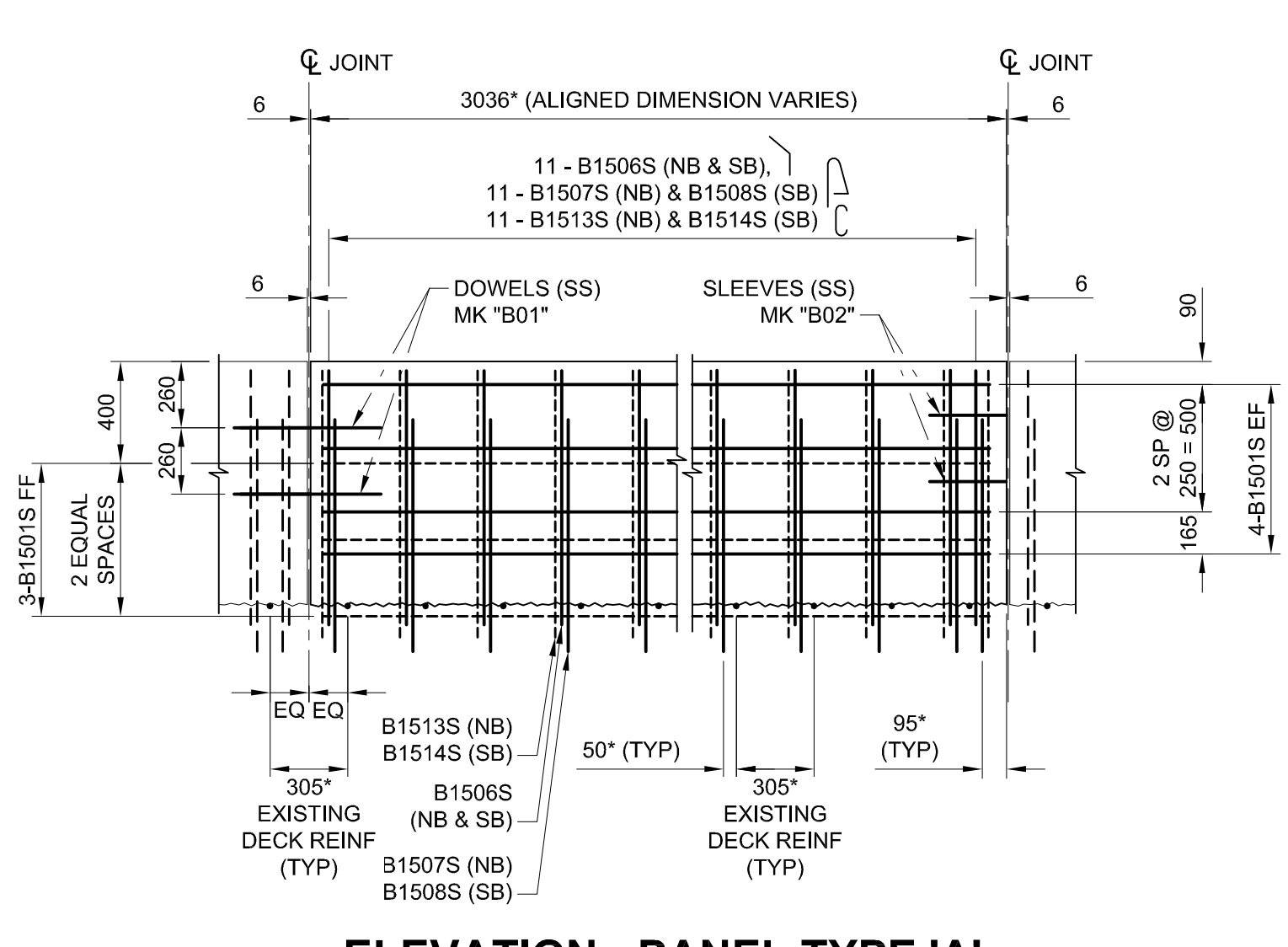


A1 SIZE 23.4" x 33.1" (594mm x 841mm)

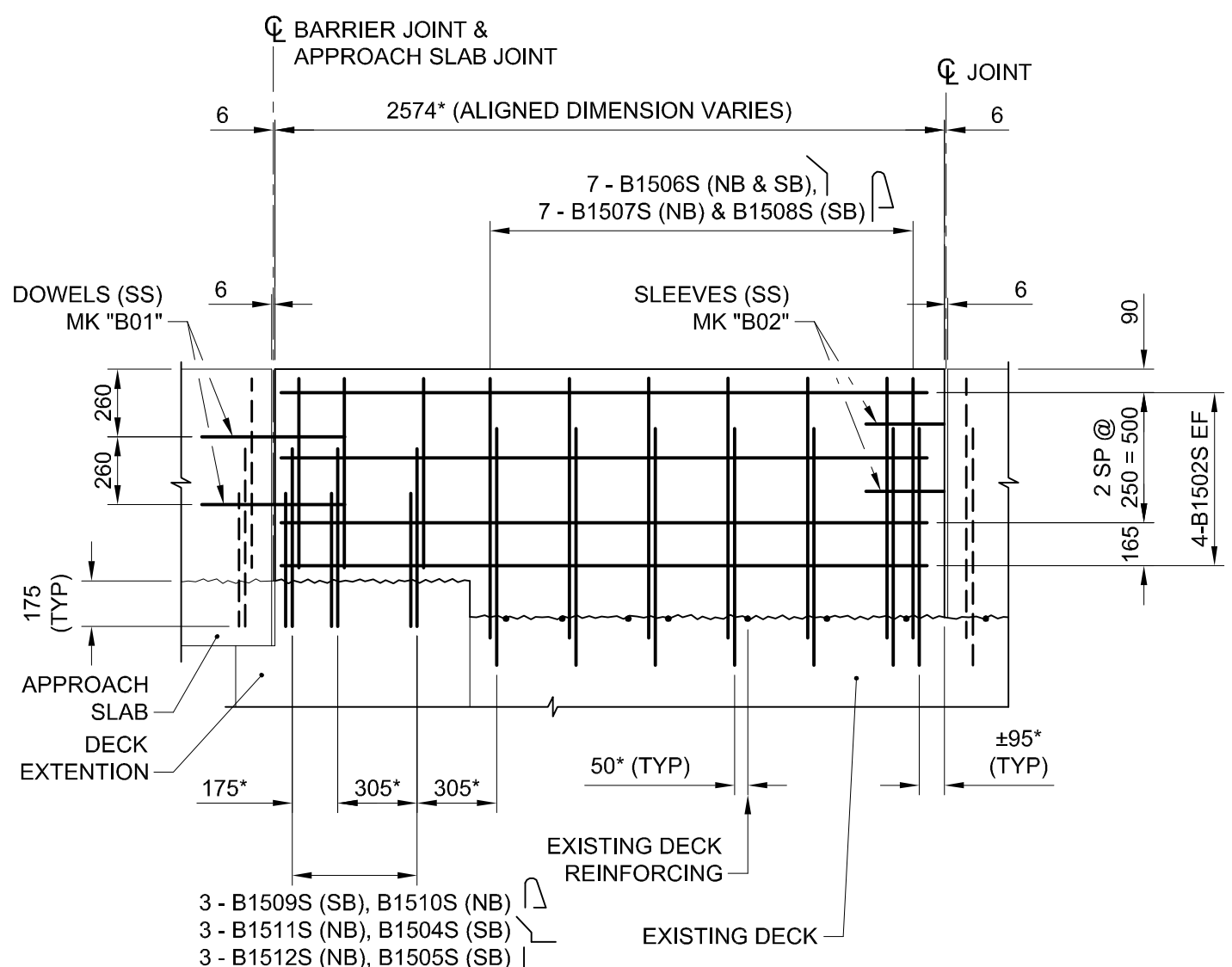
PLOT: 10/03/24 11:02:52 AM

AECOM FILE NAME: 0265-412-00_01-S-0562_RX.dwg Saved By: crossman



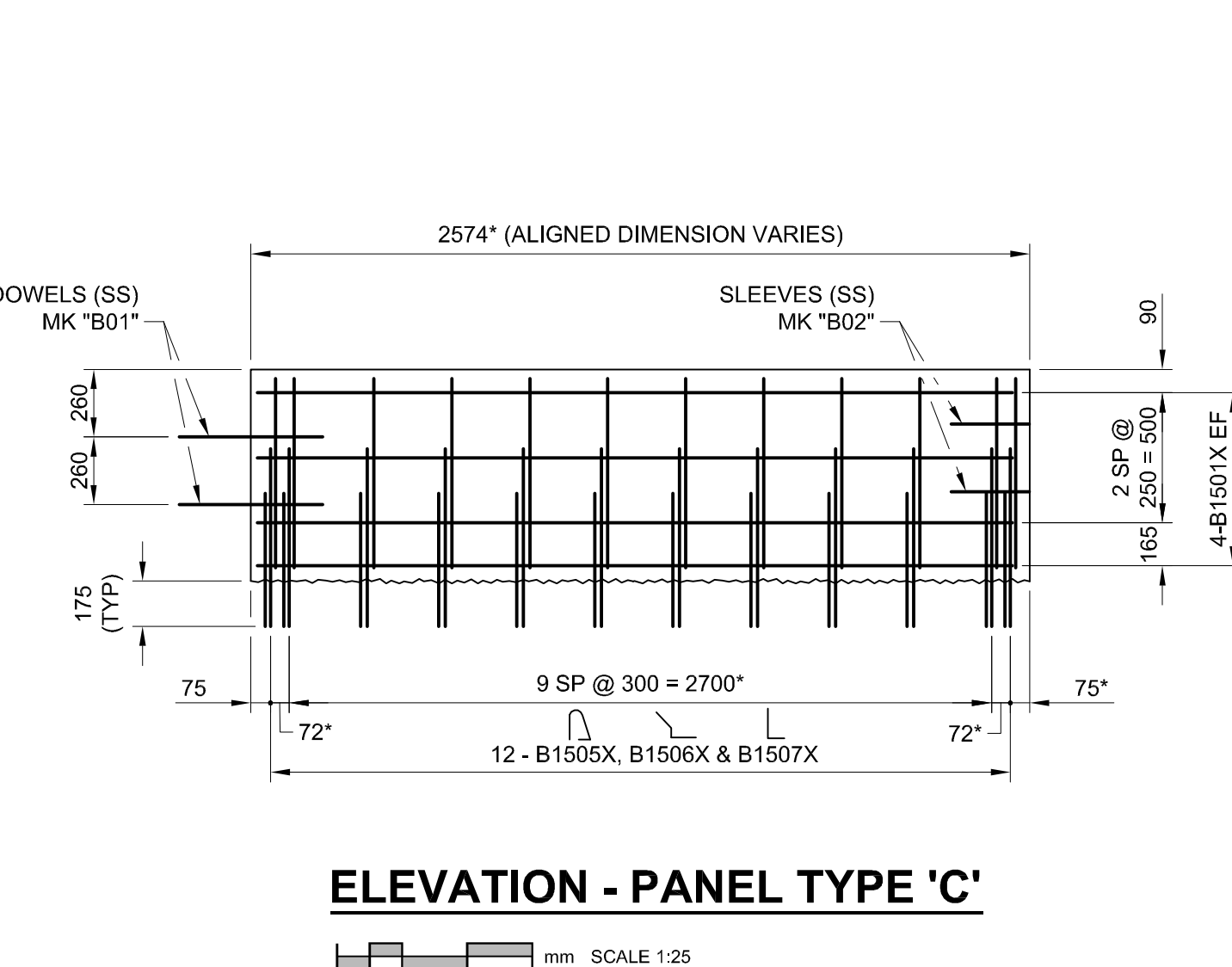
ELEVATION - PANEL TYPE 'A'

REINFORCING FOR NORTH & SOUTH BARRIERS
NORTH BARRIER SHOWN (INSIDE FACE)
SOUTH BARRIER OPPOSITE HAND



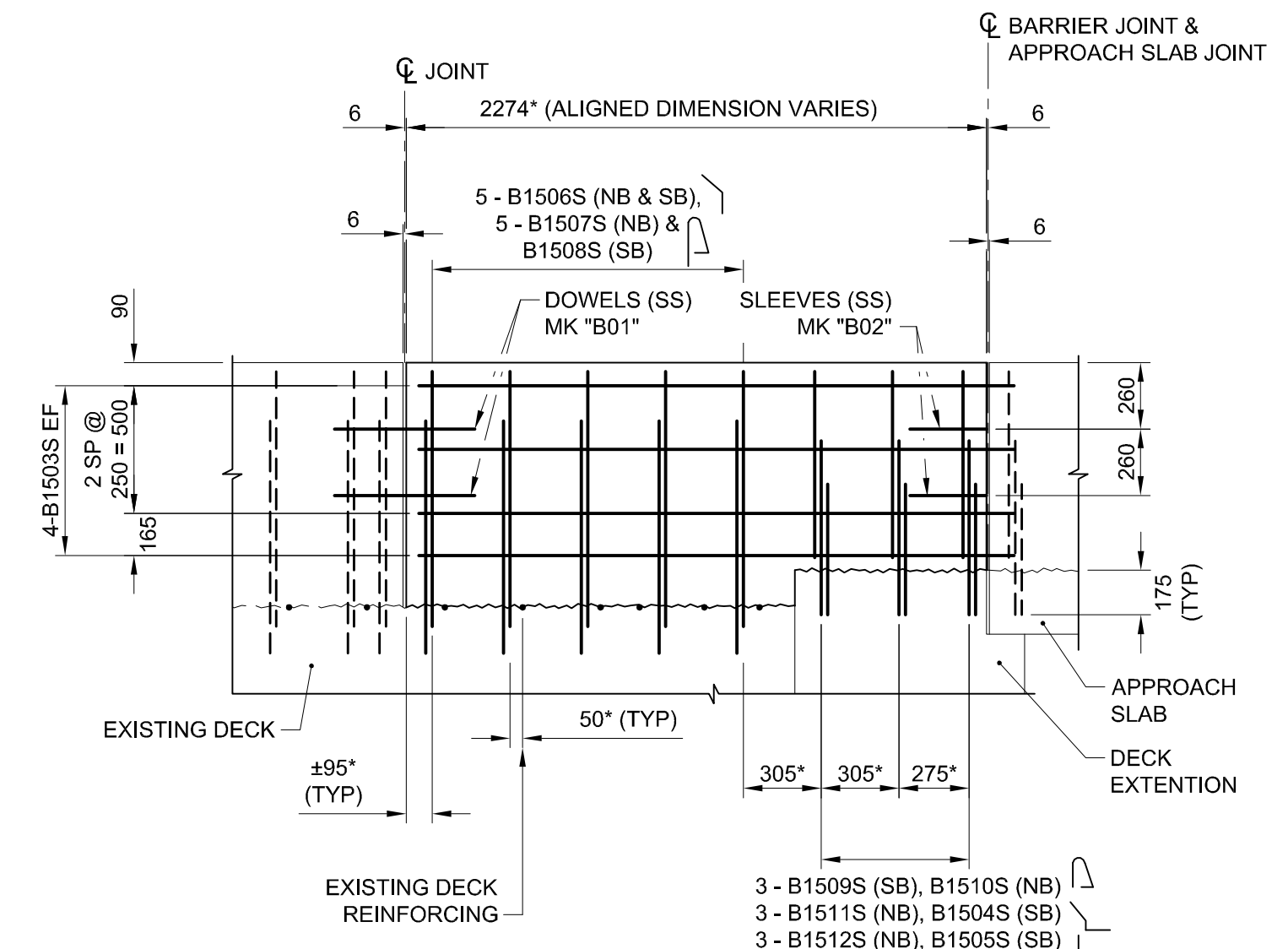
ELEVATION - PANEL TYPE 'B'

REINFORCING FOR NORTH & SOUTH BARRIERS
NORTH BARRIER SHOWN (INSIDE FACE)
SOUTH BARRIER OPPOSITE HAND



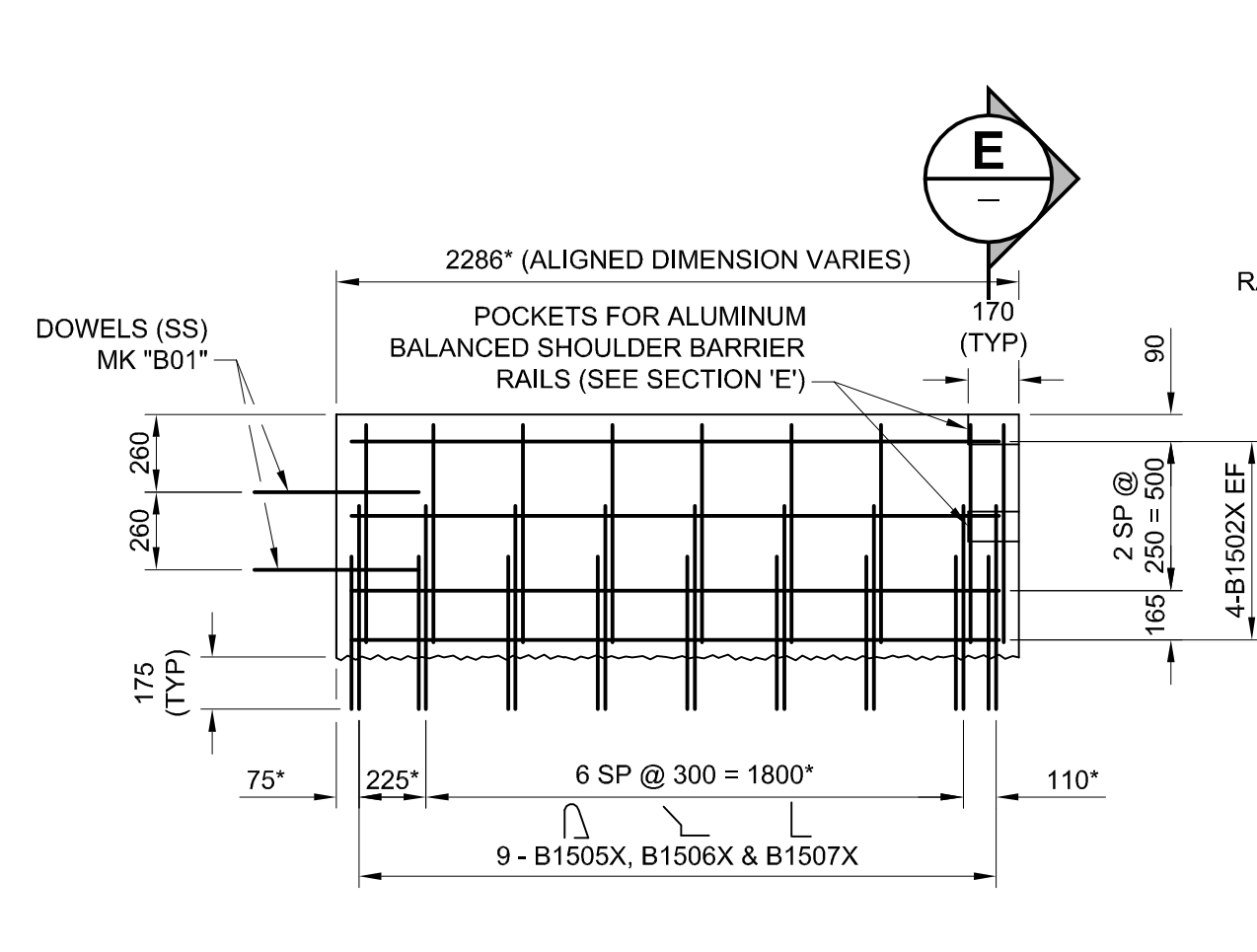
ELEVATION - PANEL TYPE 'C'

REINFORCING FOR NORTH BARRIERS (INSIDE FACE)



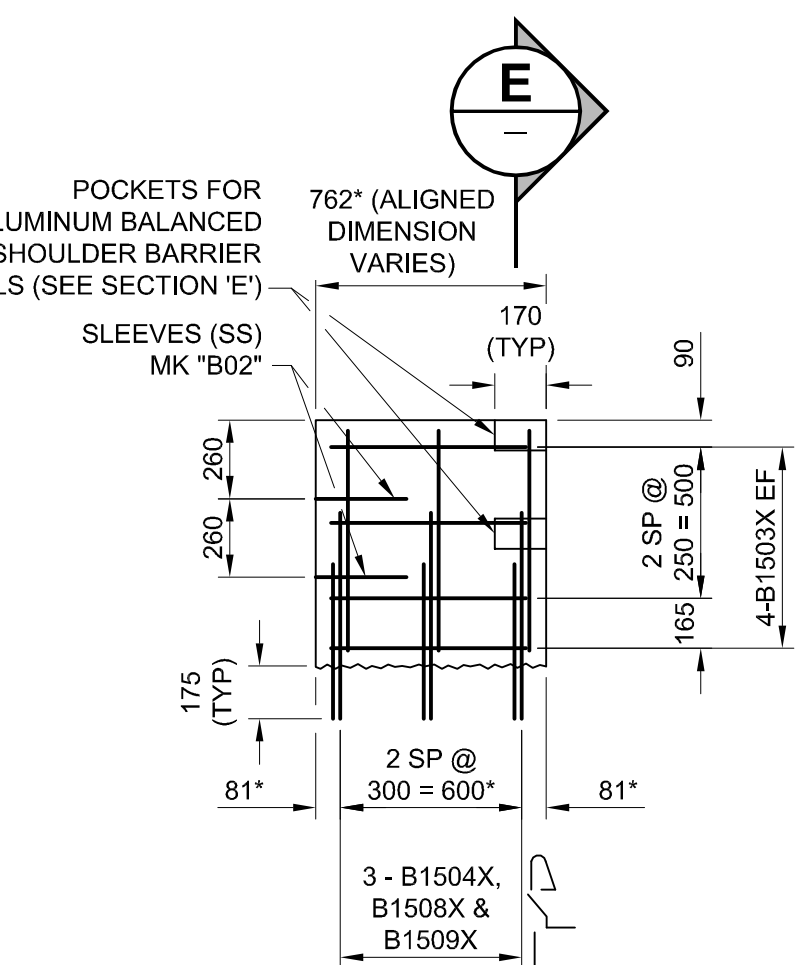
ELEVATION - PANEL TYPE 'D'

REINFORCING FOR NORTH & SOUTH BARRIERS
NORTH BARRIER SHOWN (INSIDE FACE)
SOUTH BARRIER OPPOSITE HAND



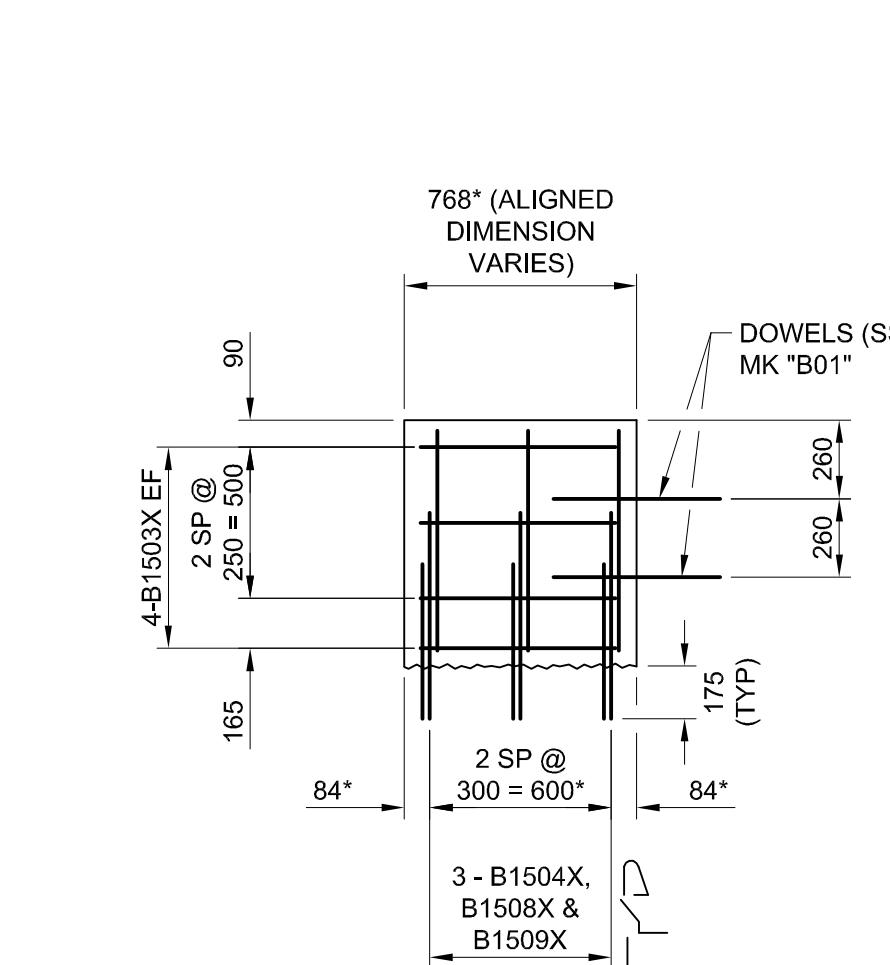
ELEVATION - PANEL TYPE 'E'

REINFORCING FOR NORTH BARRIER (INSIDE FACE)



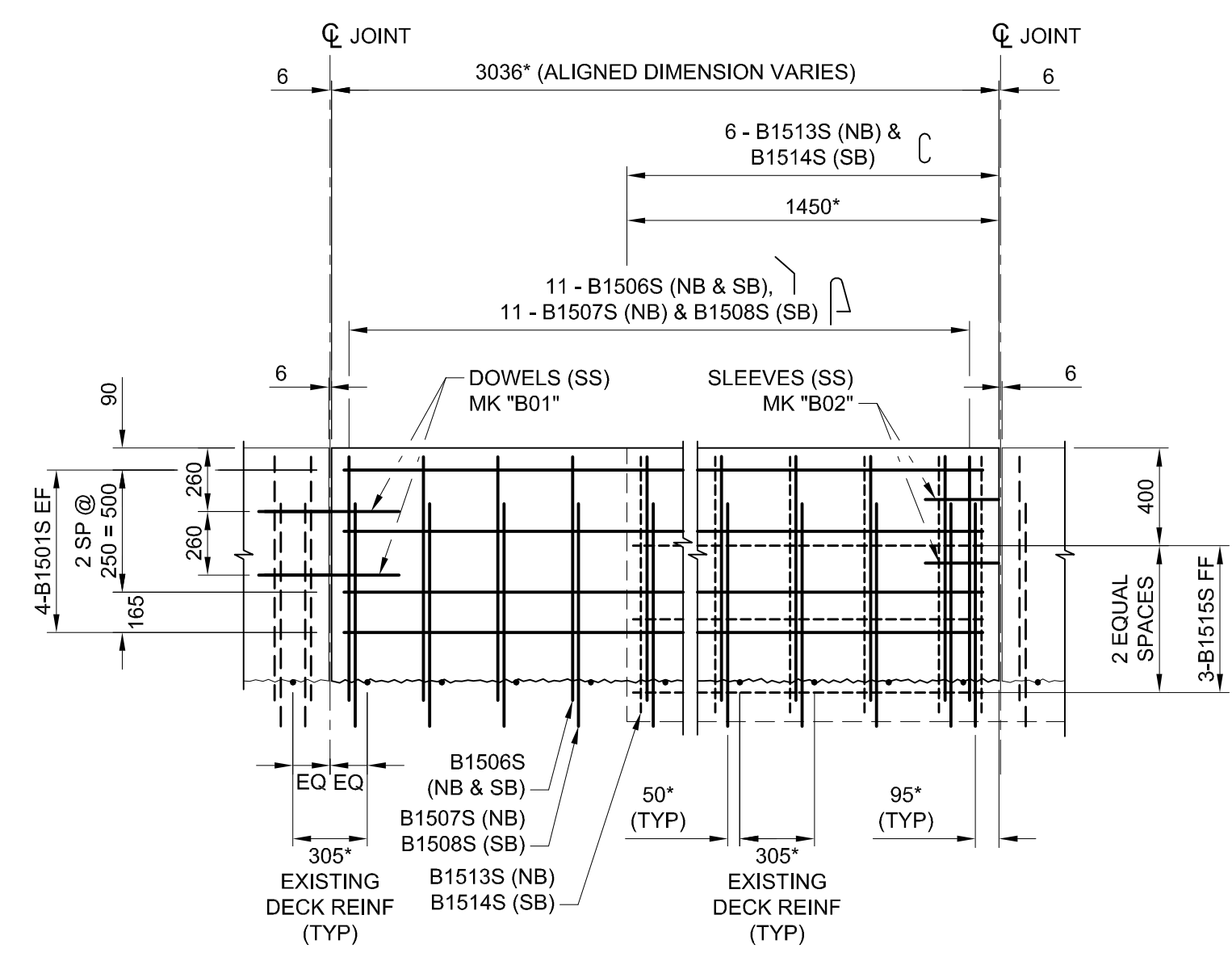
ELEVATION - PANEL TYPE 'F'

REINFORCING FOR SOUTH BARRIER (INSIDE FACE)



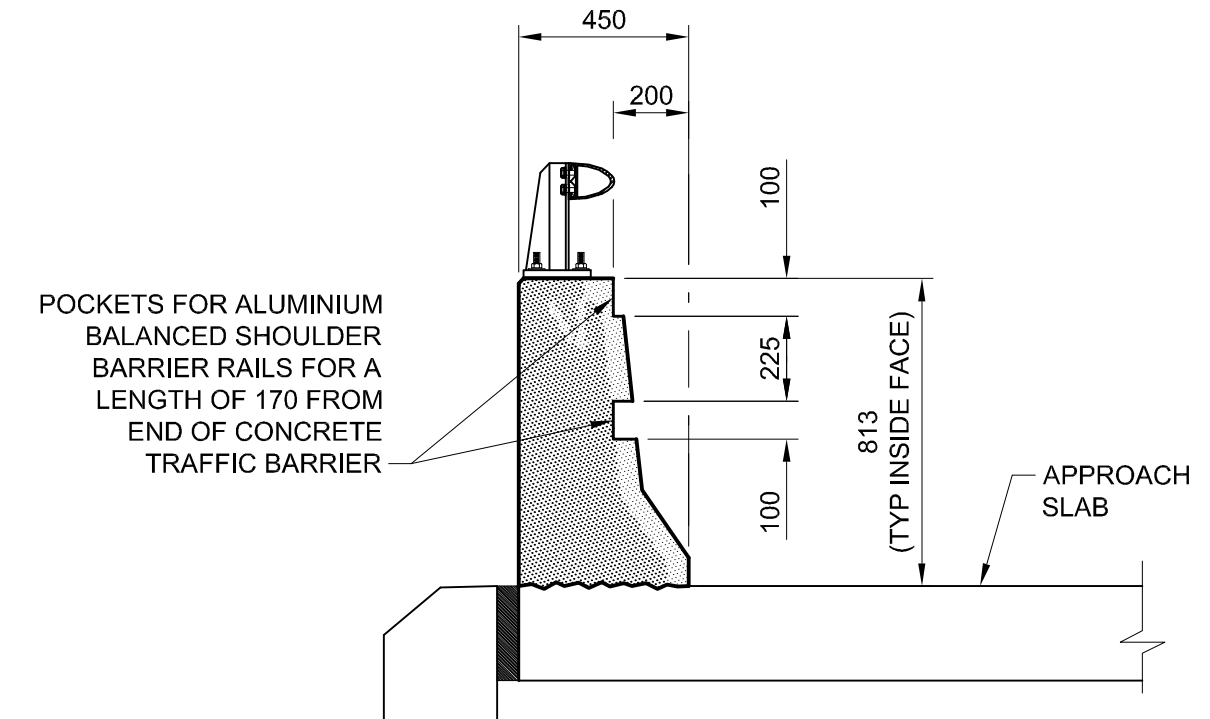
ELEVATION - PANEL TYPE 'G'

REINFORCING FOR SOUTH BARRIER (INSIDE FACE)



ELEVATION - PANEL TYPE 'H'

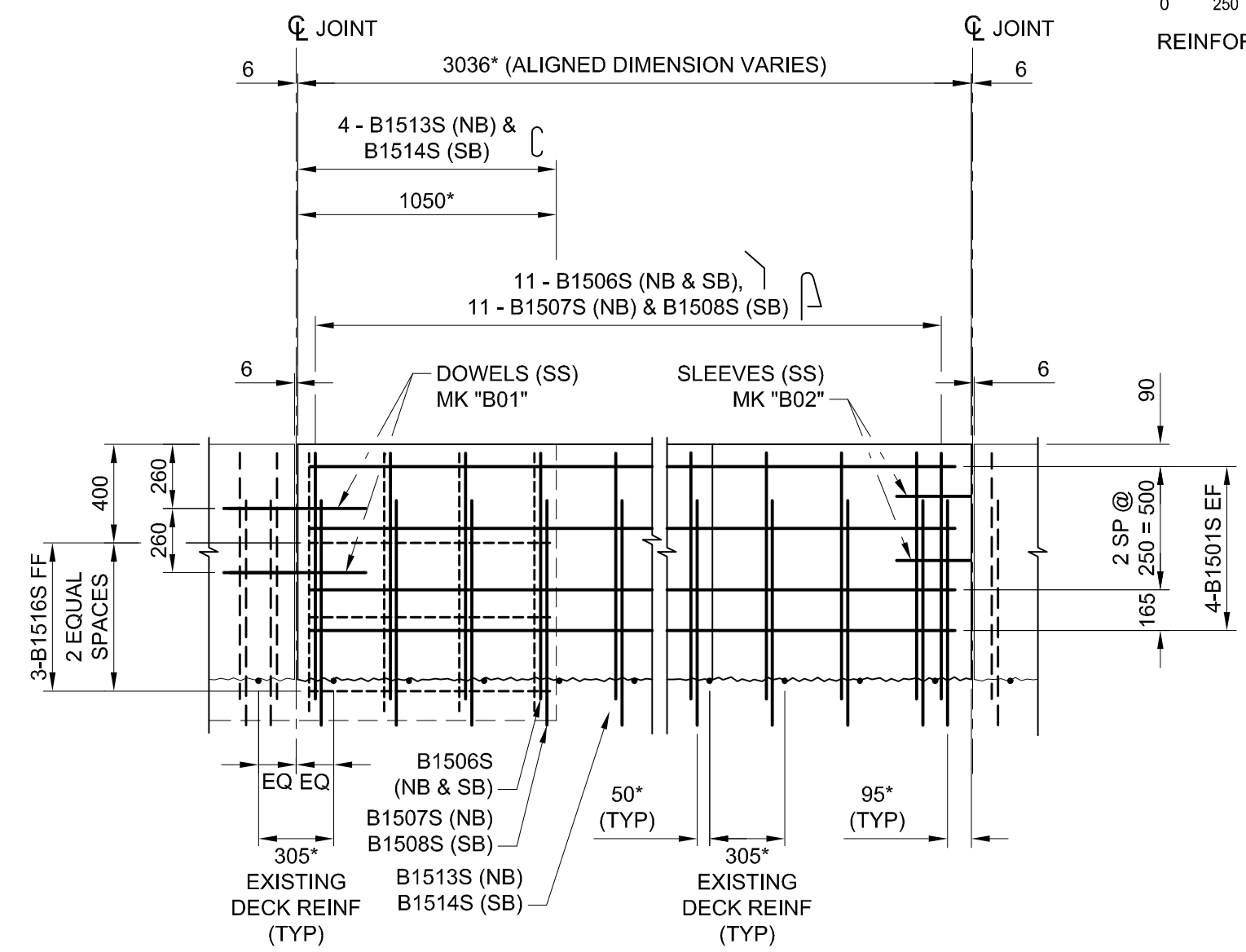
REINFORCING FOR NORTH & SOUTH BARRIERS
NORTH BARRIER SHOWN (INSIDE FACE)
SOUTH BARRIER OPPOSITE HAND



SECTION E

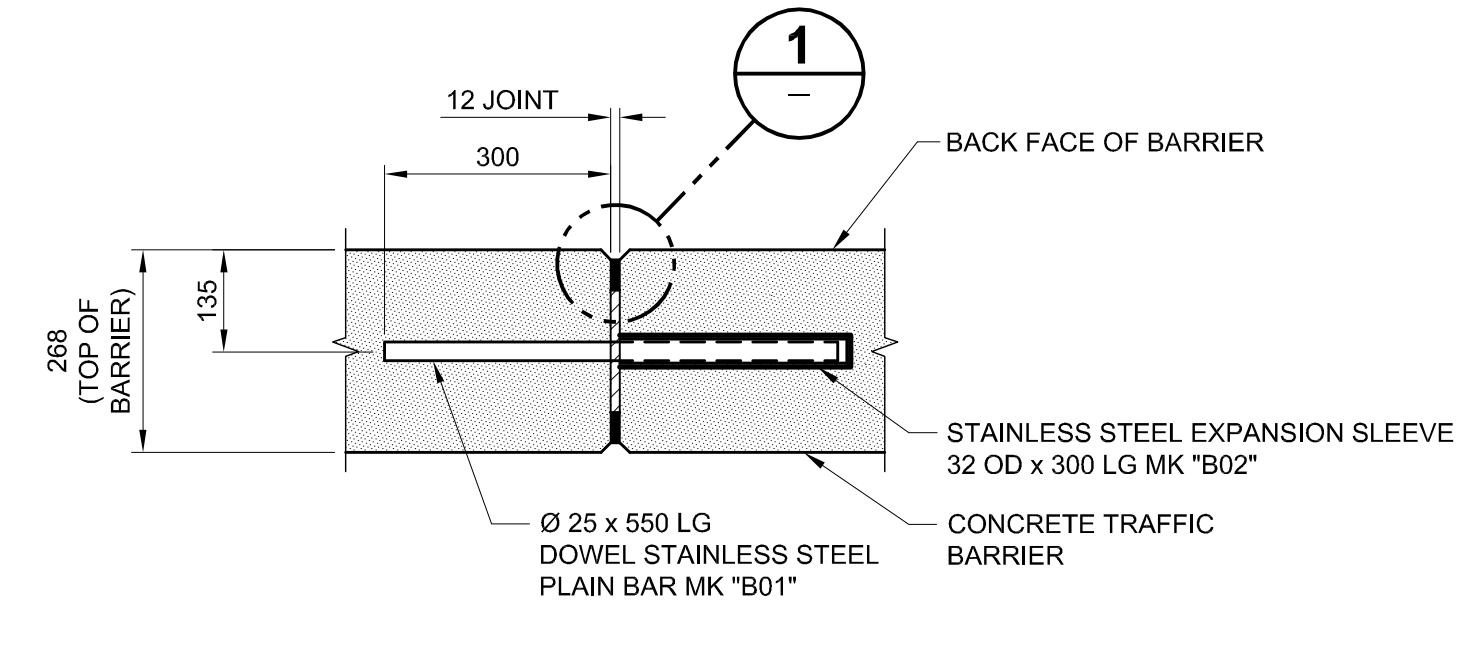
TYPICAL BARRIER SECTION
FOR PANEL TYPES 'E' & 'F'

NOTE:
DIMENSIONS MEASURED PERPENDICULAR
TO DECK REINFORCING & ABUTMENTS ARE
FOLLOWED BY AN ASTERISK (*)



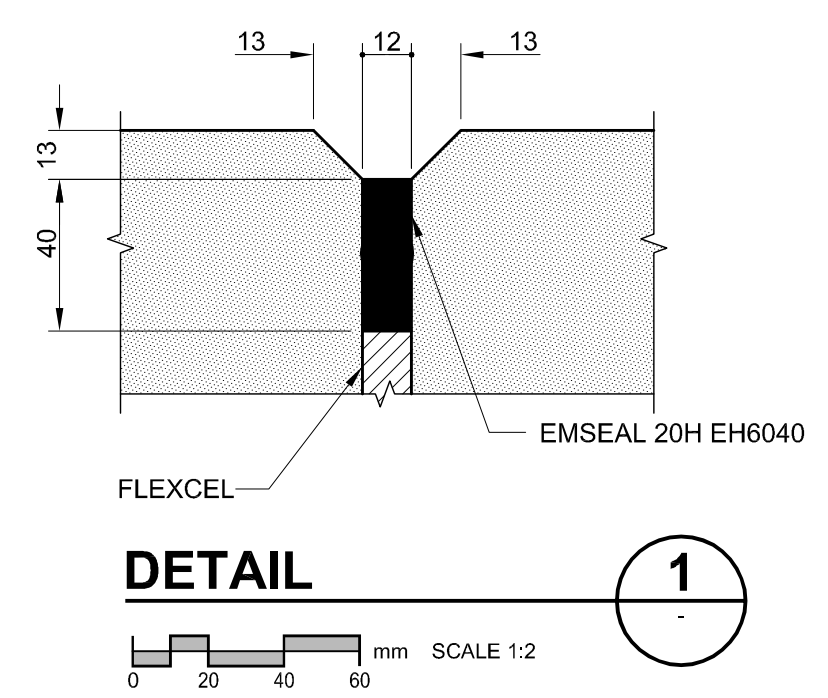
ELEVATION - PANEL TYPE 'J'

REINFORCING FOR NORTH & SOUTH BARRIERS
NORTH BARRIER SHOWN (INSIDE FACE)
SOUTH BARRIER OPPOSITE HAND



PLAN OF BARRIER JOINT DETAIL

TYPICAL



DETAIL 1

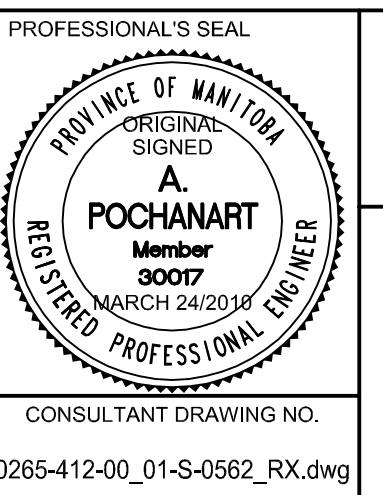
SCALE 1:2

METRIC
WHOLE NUMBERS INDICATE MILLIMETRES
DECIMALIZED NUMBERS INDICATE METRES

BILL OF MISCELLANEOUS METAL FOR NORTH & SOUTH TRAFFIC BARRIERS				
MARK	QTY	DESCRIPTION	COMPONENT MASS	TOTAL MASS
B01	92	STAINLESS STEEL PLAIN BAR 25Ø x 550 LG	2.18	200.56
B02	90	EXPANSION SLEEVE 32 OD x 300 LG (STAINLESS STEEL)	1.03	92.7
TOTAL			3.21	293.26 kg

LOCATION APPROVED UNDERGROUND STRUCTURES		BM 00-000 ELEV 200.00mm	
SUPR. U/G STRUCTURES COMMITTEE	DATE		
NOTE: LOCATION OF UNDERGROUND STRUCTURES AS SHOWN ARE BASED ON THE BEST INFORMATION AVAILABLE. BUT NO GUARANTEE IS GIVEN THAT ALL EXISTING UTILITIES ARE SHOWN OR THAT THE GIVEN LOCATIONS ARE EXACT. CONFIRMATION OF EXISTENCE AND EXACT LOCATION OF ALL SERVICES MUST BE OBTAINED FROM THE INDIVIDUAL UTILITIES BEFORE PROCEEDING WITH CONSTRUCTION.			
0	ISSUED FOR CONSTRUCTION	10/03/24	CPK
A	ISSUED FOR 100% REVIEW	10/03/08	DJH
NO.	REVISIONS	YYMMDD	BY

DESIGNED BY AP		CHECKED BY SBB / CGC	
DRAWN BY CGC		APPROVED BY	
HOR. SCALE AS NOTED		RELEASED FOR CONSTRUCTION	
VERT. SCALE AS NOTED		DATE	



THE CITY OF WINNIPEG
PUBLIC WORKS DEPARTMENT
ENGINEERING DIVISION

JUBILEE AVENUE OVERPASS REHABILITATION

CONCRETE BARRIERS REINFORCING DETAILS II

CITY DRAWING NUMBER: B124-10-12
SHEET 12 OF 51
DRAWING No. 12 REV 0

BID OPPORTUNITY NO. 133-2010

