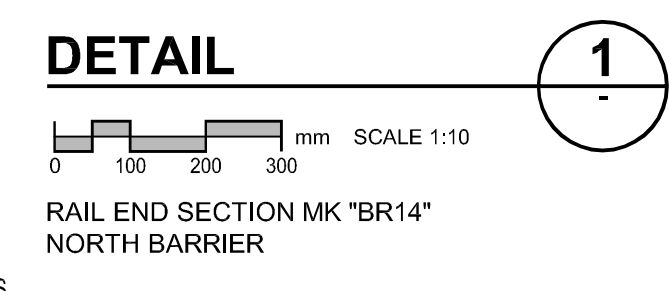
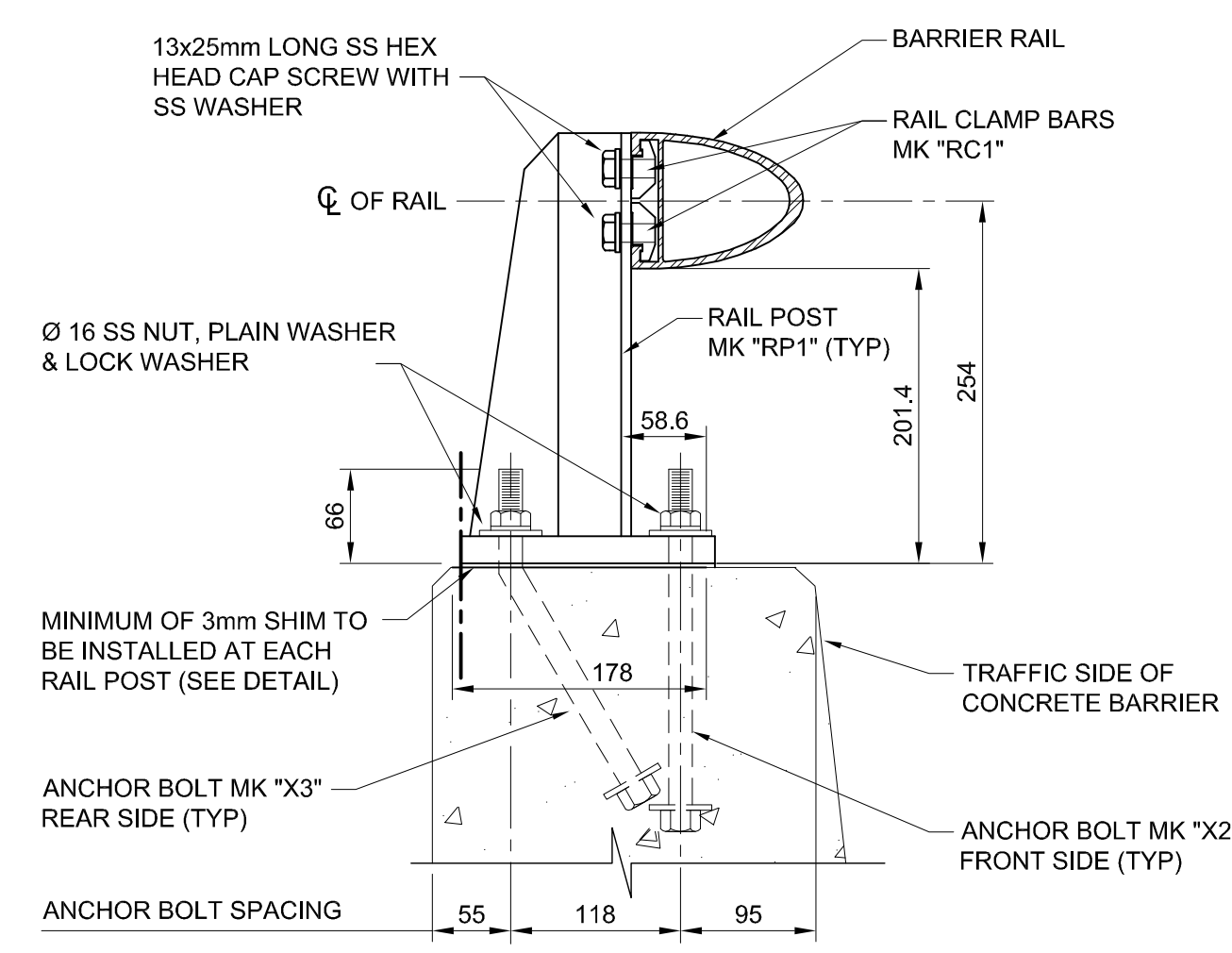
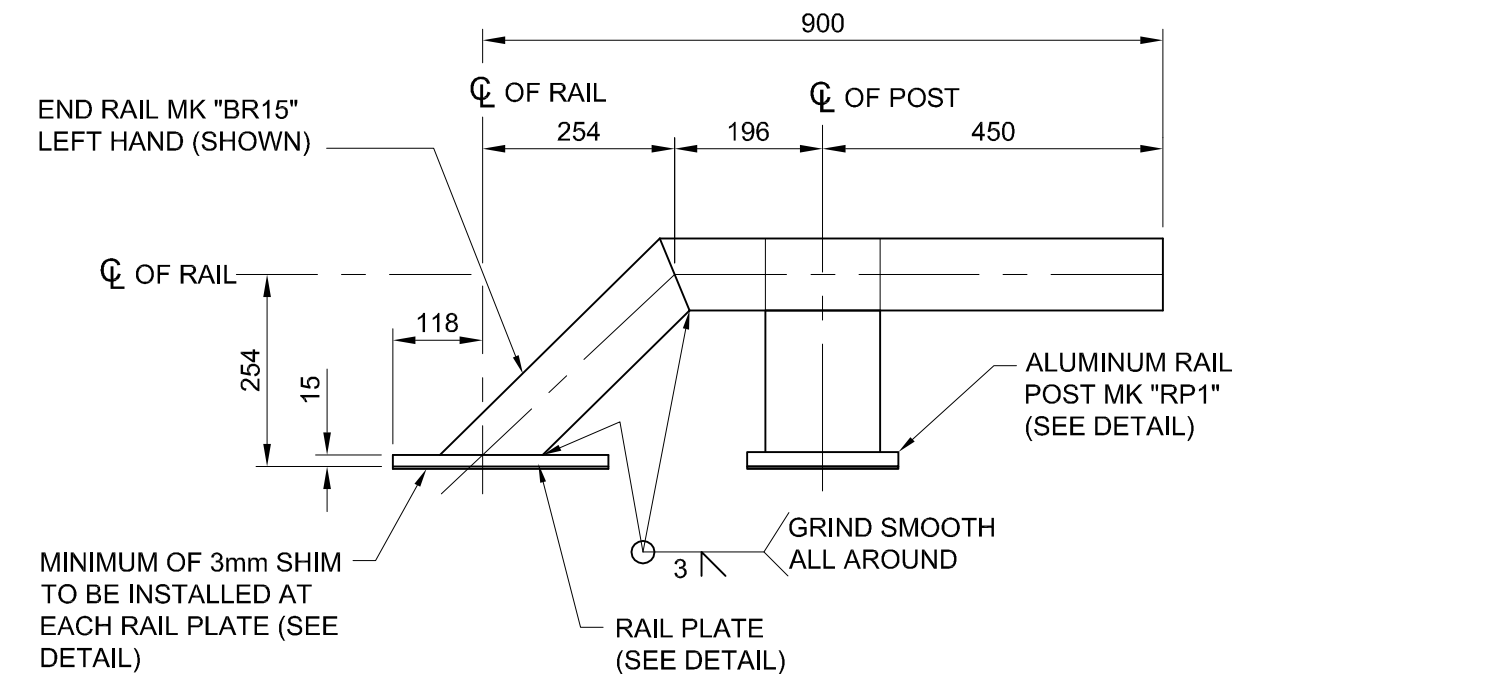
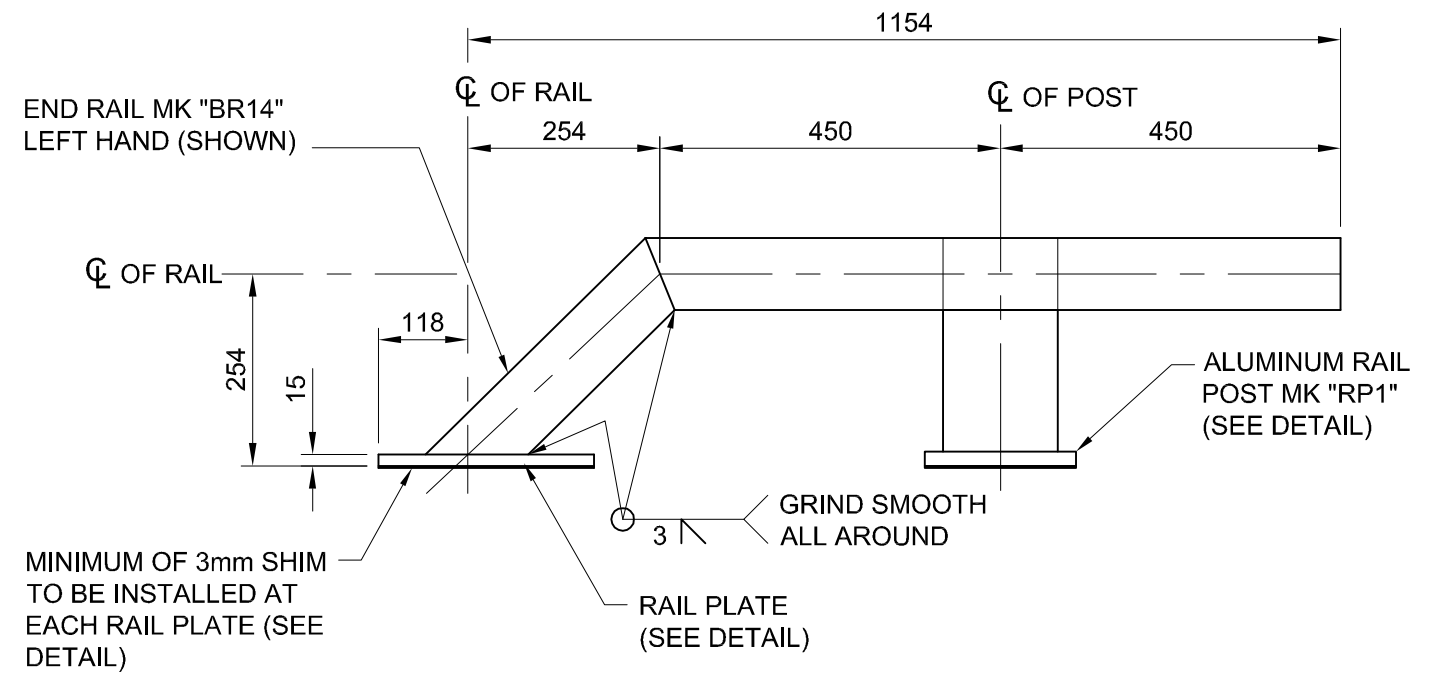
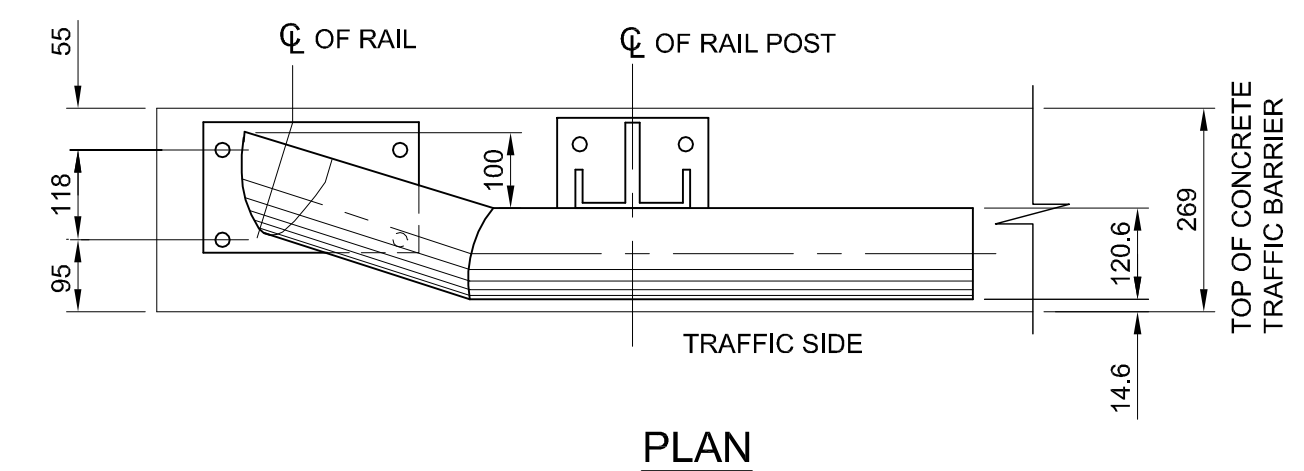
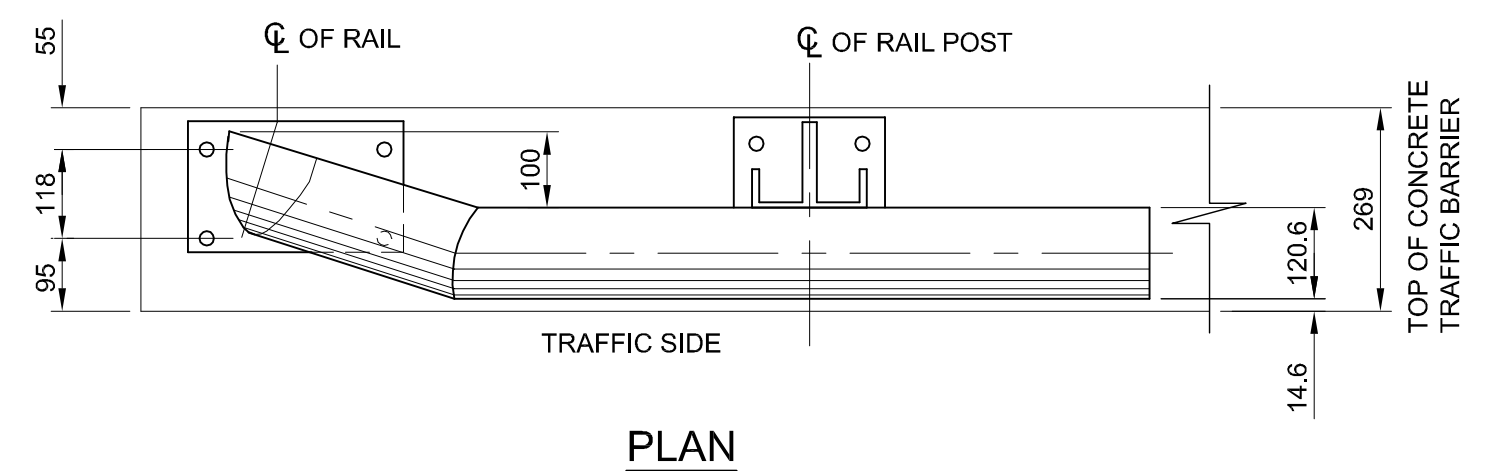
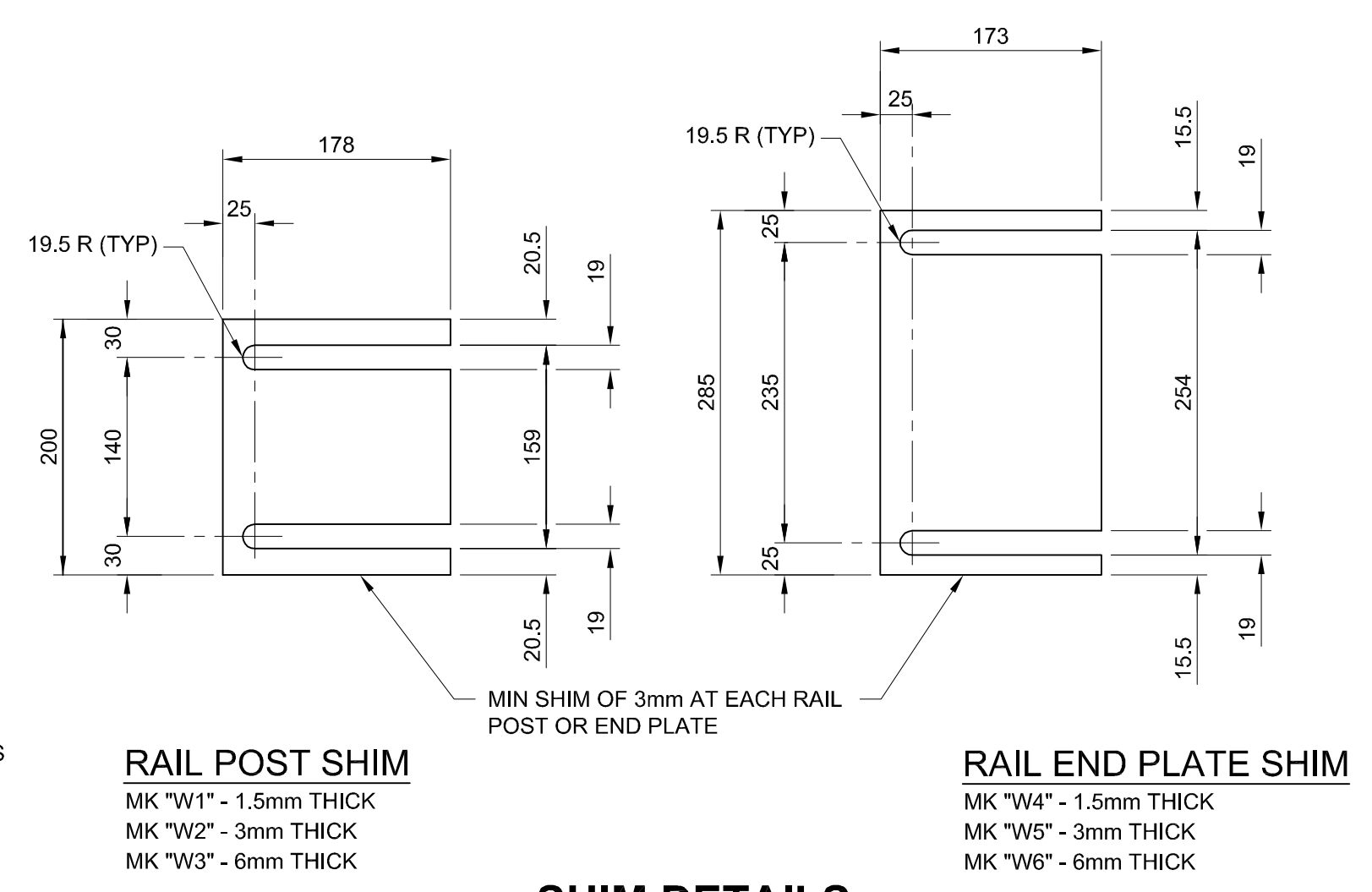
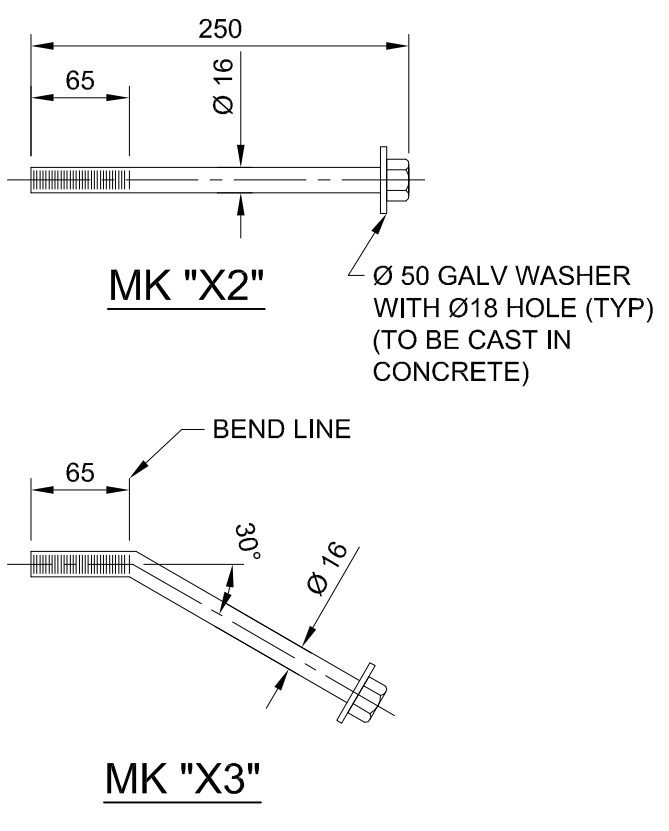
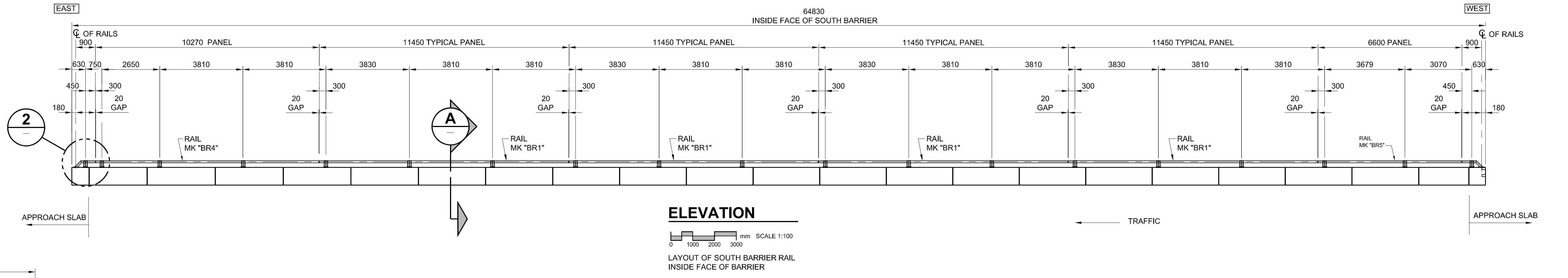
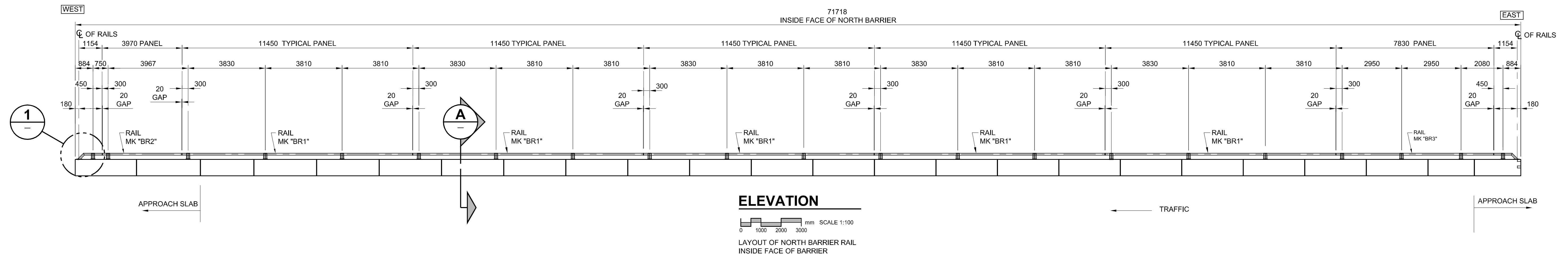


A1 SIZE 23.4" x 33.1" (594mm x 841mm) PLOT: 10/03/24 11:03:22 AM AECOM FILE NAME: 0265-412-00_01-S-0563_RX.dwg Saved By: crossmanac



AECOM
Certificate of Authorization
AECOM Canada Ltd.
Original dated on:
No. 4671 Date: 2010/03/24

PROFESSIONAL'S SEAL
PROVINCE OF MANITOBA
ORIGINAL SIGNED
A. POCHANART
Member
3007
MARCH 24/2010
REGISTERED PROFESSIONAL ENGINEER

THE CITY OF WINNIPEG
PUBLIC WORKS DEPARTMENT
ENGINEERING DIVISION

**JUBILEE AVENUE OVERPASS
REHABILITATION**
ALUMINUM TRAFFIC BARRIER
LAYOUT & DETAILS I

BID OPPORTUNITY NO. 133-2010

LOCATION APPROVED UNDERGROUND STRUCTURES		DATE	
SUPR. U/G STRUCTURES COMMITTEE			
NOTE: LOCATION OF UNDERGROUND STRUCTURES AS SHOWN ARE BASED ON THE BEST INFORMATION AVAILABLE. BUT NO GUARANTEE IS GIVEN THAT ALL EXISTING UTILITIES ARE SHOWN OR THAT THE GIVEN LOCATIONS ARE EXACT. CONFIRMATION OF EXISTENCE AND EXACT LOCATION OF ALL SERVICES MUST BE OBTAINED FROM THE INDIVIDUAL UTILITIES BEFORE PROCEEDING WITH CONSTRUCTION.			
NO.	REVISIONS	YYMMDD	BY
0	ISSUED FOR CONSTRUCTION	10/03/24	CPK
B	ISSUED FOR 100% REVIEW	10/03/08	DJH
A	ISSUED FOR 30% REVIEW	10/01/28	DJH

DESIGNED BY		CHECKED BY	
AP		SBB / CGC	
DRAWN BY		APPROVED BY	
DJH			
HOR. SCALE		RELEASED FOR CONSTRUCTION	
AS NOTED			
VERT. SCALE		DATE	
AS NOTED			

CITY DRAWING NUMBER
B124-10-13
SHEET 13 OF 51
DRAWING No. 13
REV 0