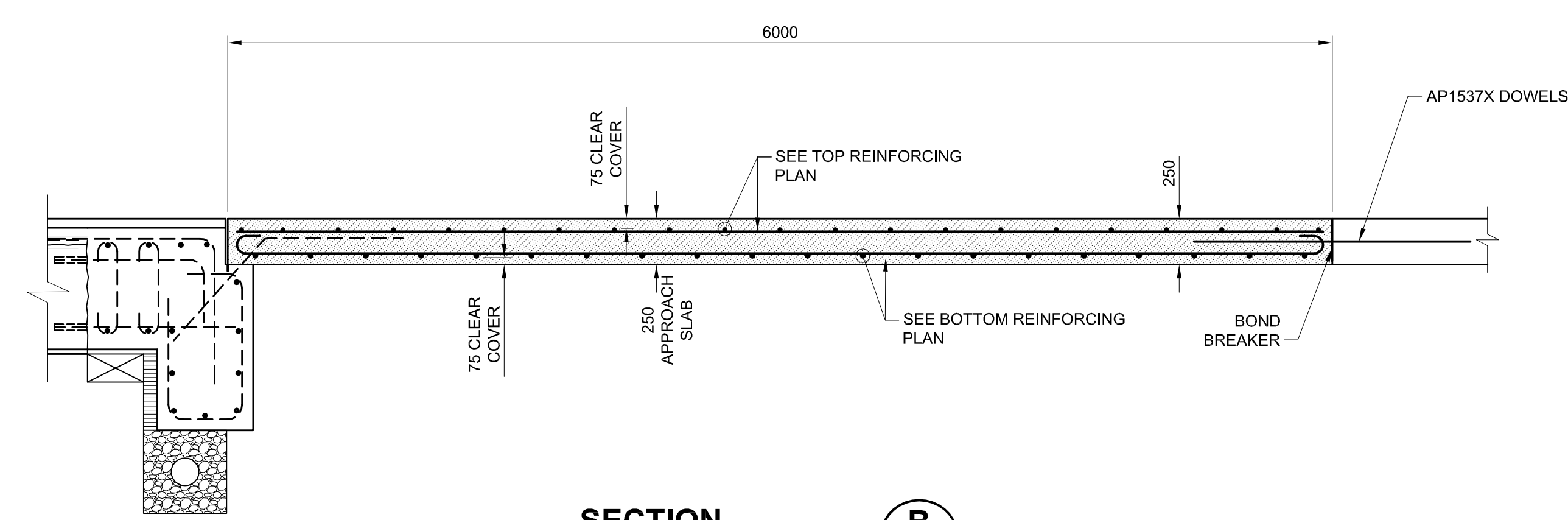
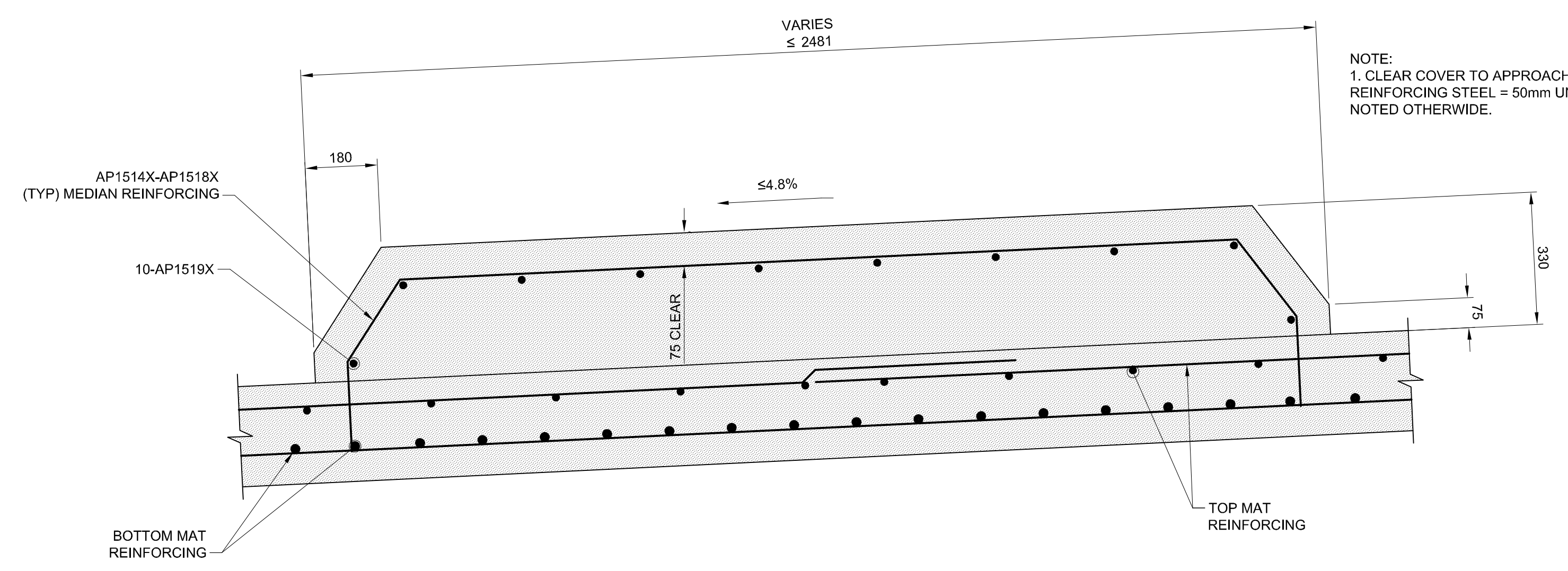


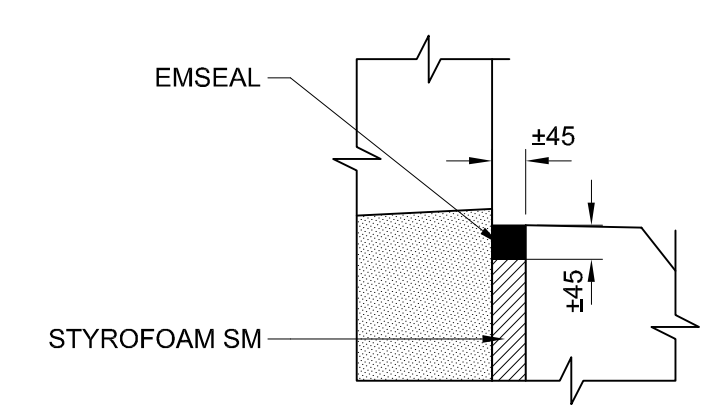
SECTION A
SCALE 1:25
0 250 500 750 mm



SECTION B
SCALE 1:25
0 250 500 750 mm



DETAIL 1
SCALE 1:10
0 100 200 300 mm



DETAIL 2
SCALE 1:10
0 100 200 300 mm
TYPICAL

NOTE:
1. CLEAR COVER TO APPROACH SLAB REINFORCING STEEL = 50mm UNLESS NOTED OTHERWISE.

METRIC
WHOLE NUMBERS INDICATE MILLIMETRES
DECIMALIZED NUMBERS INDICATE METRES

AECOM
Certificate of Authorization
AECOM Canada Ltd.
Original dated on:
No. 4671 Date: 2010/03/24

BID OPPORTUNITY NO. 133-2010

LOCATION APPROVED UNDERGROUND STRUCTURES			
SUPR. / U/G STRUCTURES COMMITTEE	DATE		
NOTE: LOCATION OF UNDERGROUND STRUCTURES AS SHOWN ARE BASED ON THE BEST INFORMATION AVAILABLE. BUT NO GUARANTEE IS GIVEN THAT ALL EXISTING UTILITIES ARE SHOWN OR THAT THE GIVEN LOCATIONS ARE EXACT. CONFIRMATION OF EXISTENCE AND EXACT LOCATION OF ALL SERVICES MUST BE OBTAINED FROM THE INDIVIDUAL UTILITIES BEFORE PROCEEDING WITH CONSTRUCTION.			
0	ISSUED FOR CONSTRUCTION	10/03/24	CPK
A	ISSUED FOR 100% REVIEW	10/03/08	DJH
NO.	REVISIONS	YY/MM/DD	BY

AECOM			
This drawing has been prepared for the use of AECOM's client and may not be used, reproduced or relied upon by third parties, except as agreed by AECOM and its client, as required by law or for use by governmental reviewing agencies. AECOM accepts no responsibility, and denies any liability whatsoever, to any party that modifies this drawing without AECOM's express written consent. Do not scale this document. All measurements must be obtained from stated dimensions.			
DESIGNED BY	AP	CHECKED BY	SBB / CGC
DRAWN BY	DJH	APPROVED BY	
HOR. SCALE	AS NOTED	RELEASED FOR CONSTRUCTION	
VERT. SCALE	AS NOTED		
DATE	YY/MM/DD	DATE	

PROFESSIONAL'S SEAL
PROVINCE OF MANITOBA
ORIGINAL SIGNED
A. POCHANART
Member 90017
MARCH 24/2016
REGISTERED PROFESSIONAL ENGINEER
CONSULTANT DRAWING NO.
0265-412-00_01-S-0722_RX.dwg

THE CITY OF WINNIPEG
PUBLIC WORKS DEPARTMENT
ENGINEERING DIVISION

JUBILEE AVENUE OVERPASS REHABILITATION

APPROACH SLABS CONCRETE & REINFORCING DETAILS II

CITY DRAWING NUMBER	B124-10-16
SHEET	16 OF 51
DRAWING No.	16
REV	0