

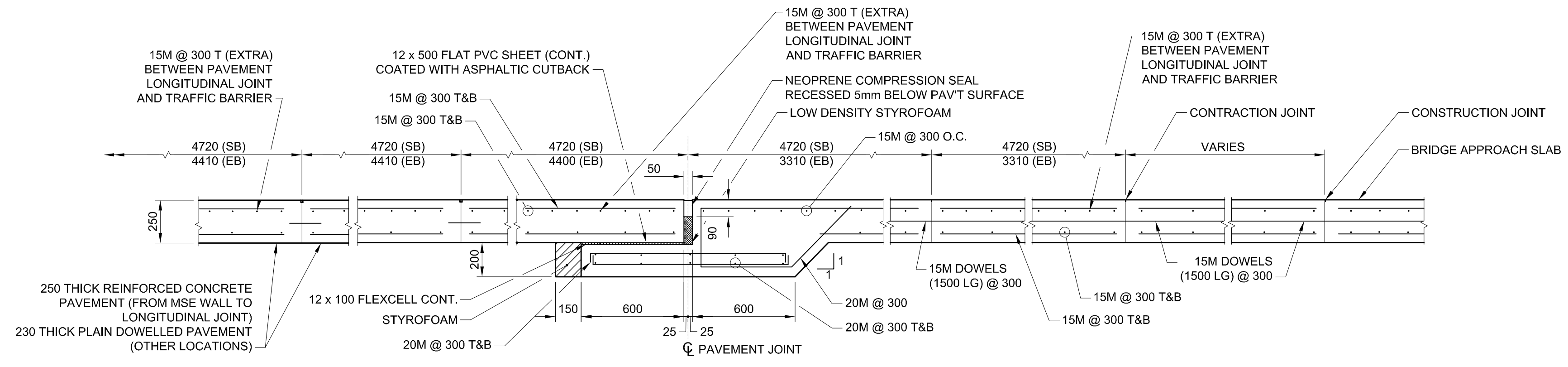
A1 SIZE 23.4" x 33.1" (594mm x 841mm)

PLOT: 10/03/24 2:46:43 PM

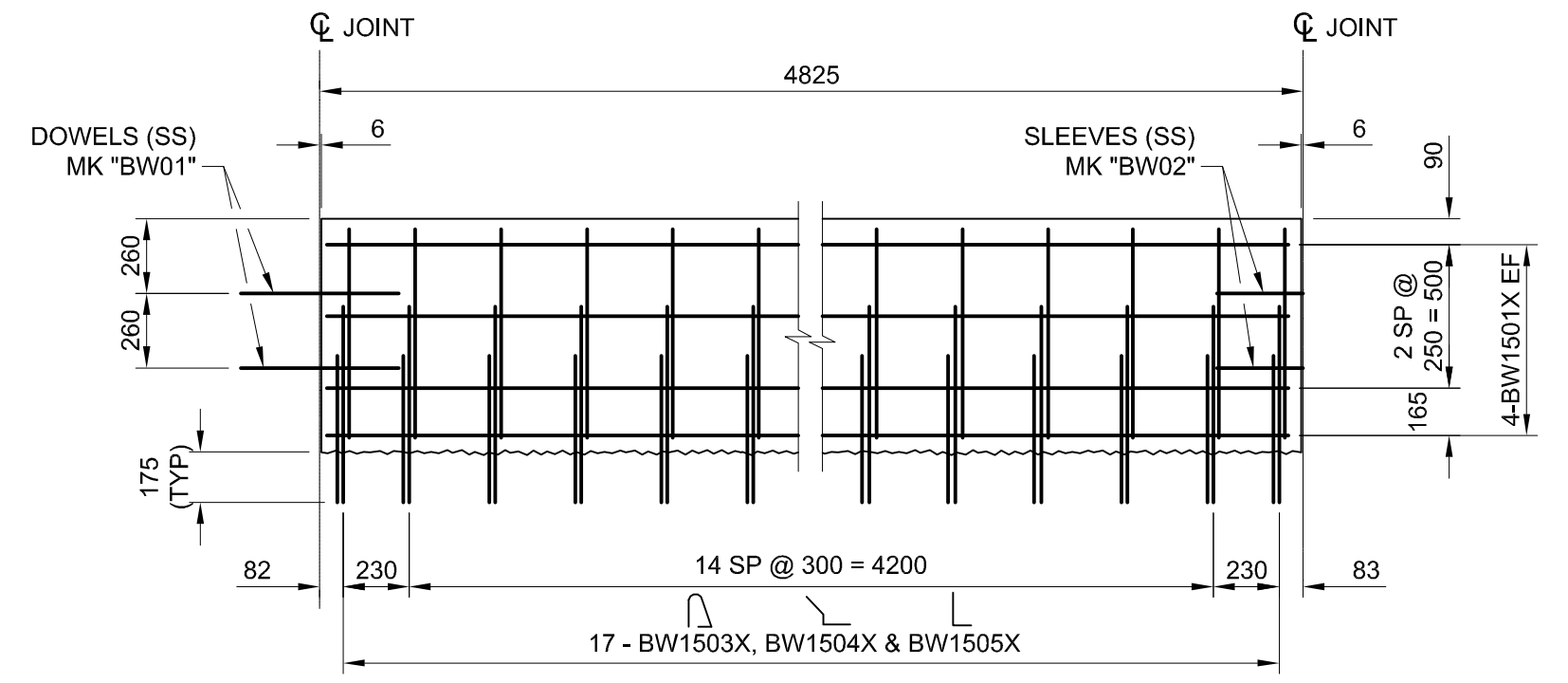
AECOM FILE NAME: 0265-412-00\_01-S-0762\_RX.dwg Saved By: crossmanc

BILL OF MISCELLANEOUS METAL FOR TRAFFIC BARRIERS ON REINFORCED CONCRETE PAVEMENT ALONG MSE WALL				
MARK	QTY	DESCRIPTION	COMPONENT MASS	TOTAL MASS
BW01	38	STAINLESS STEEL PLAIN BAR 250 x 550 LG	2.18	82.84
BW02	40	EXPANSION SLEEVE 32 OD x 300 LG (STAINLESS STEEL)	1.03	41.20
<b>TOTAL</b>				<b>124.04 kg</b>

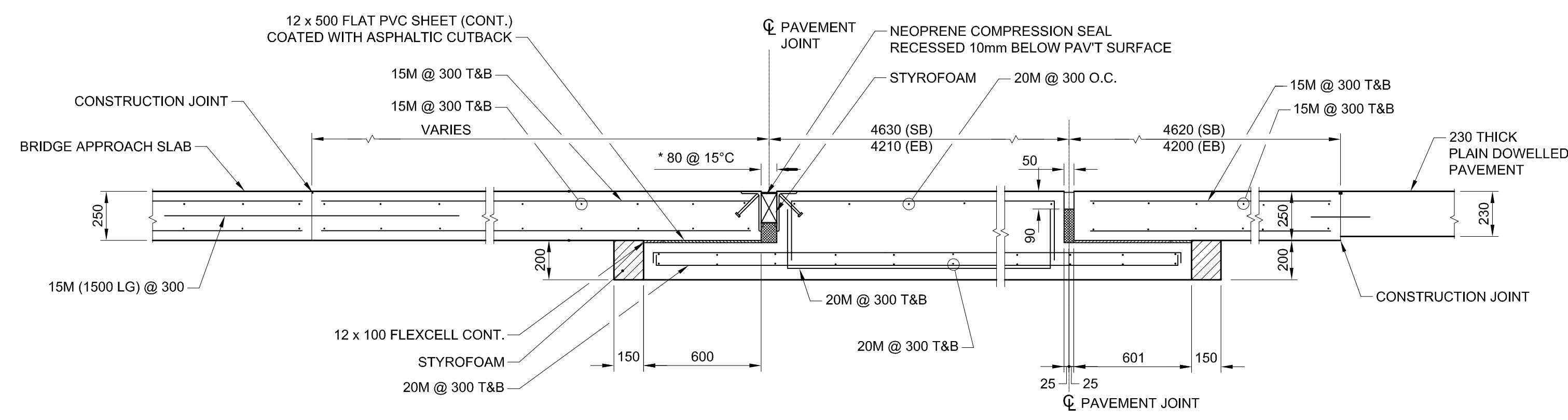
NOTE: FOR BARRIER JOINT DETAILS SEE DRAWING No. 12



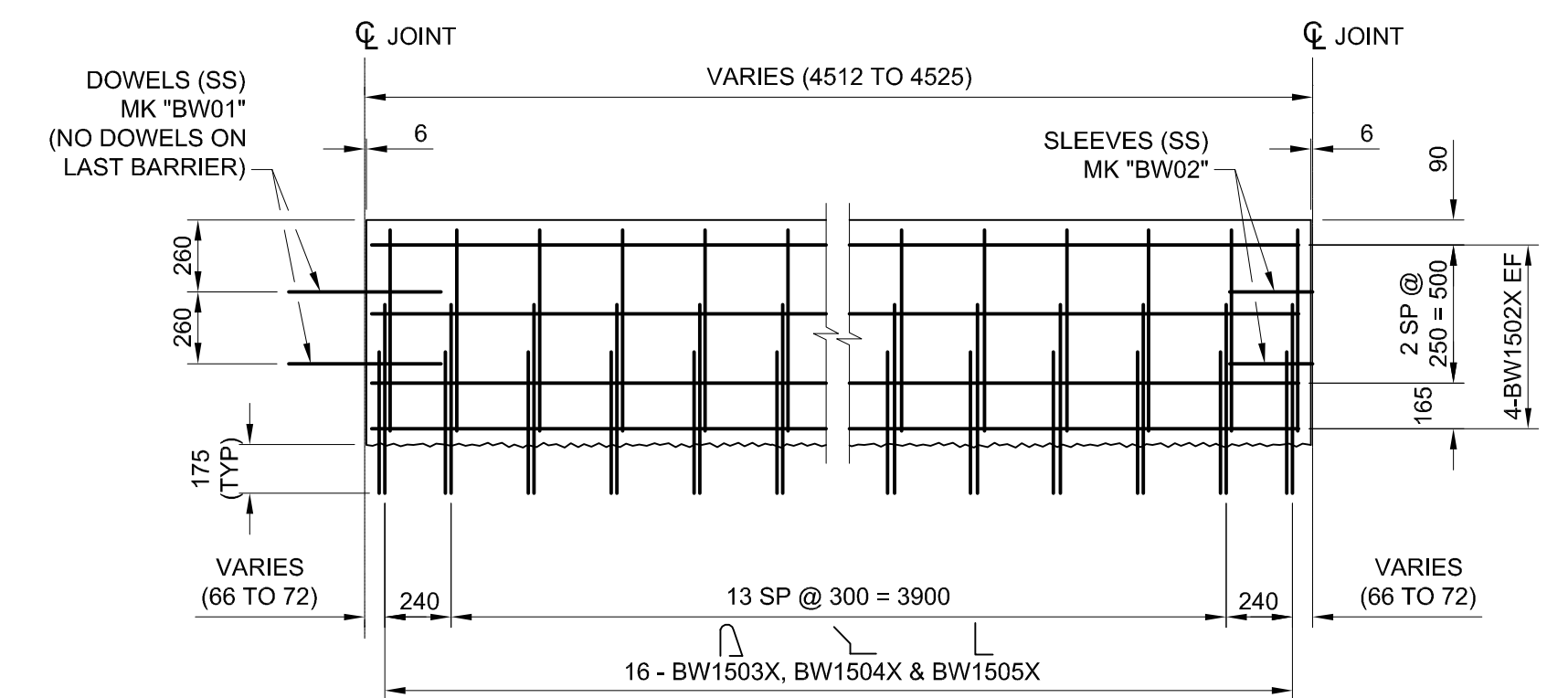
**SECTION C**  
TYPE 1 ROADWAY EXPANSION JOINT  
WEST OF JUBILEE OVERPASS  
SCALE 1:20



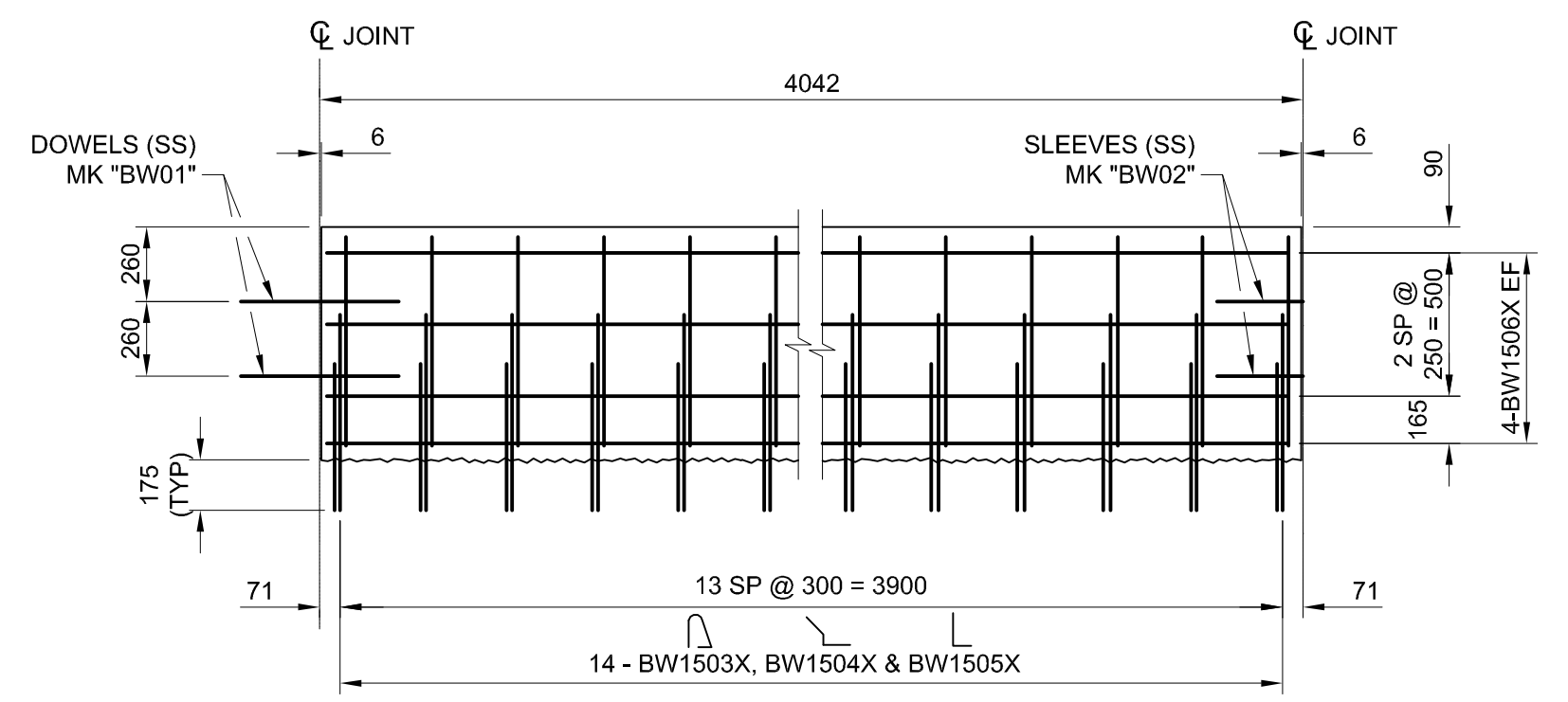
**ELEVATION - PANEL TYPE '1'**  
REINFORCING FOR NORTH BARRIERS ALONG MSE WALL (INSIDE FACE)  
ON REINFORCED CONCRETE PAVEMENT LAYOUT 1 & 1B  
15 REQUIRED  
NOTE:  
1. ADJUST REINFORCING TO FIT FOR EXPANSION JOINT PLATES WHERE REQUIRED.  
2. NO DOWELS MK "BW01" OR SLEEVES MK "BW02" REQUIRED AT EXPANSION JOINTS.



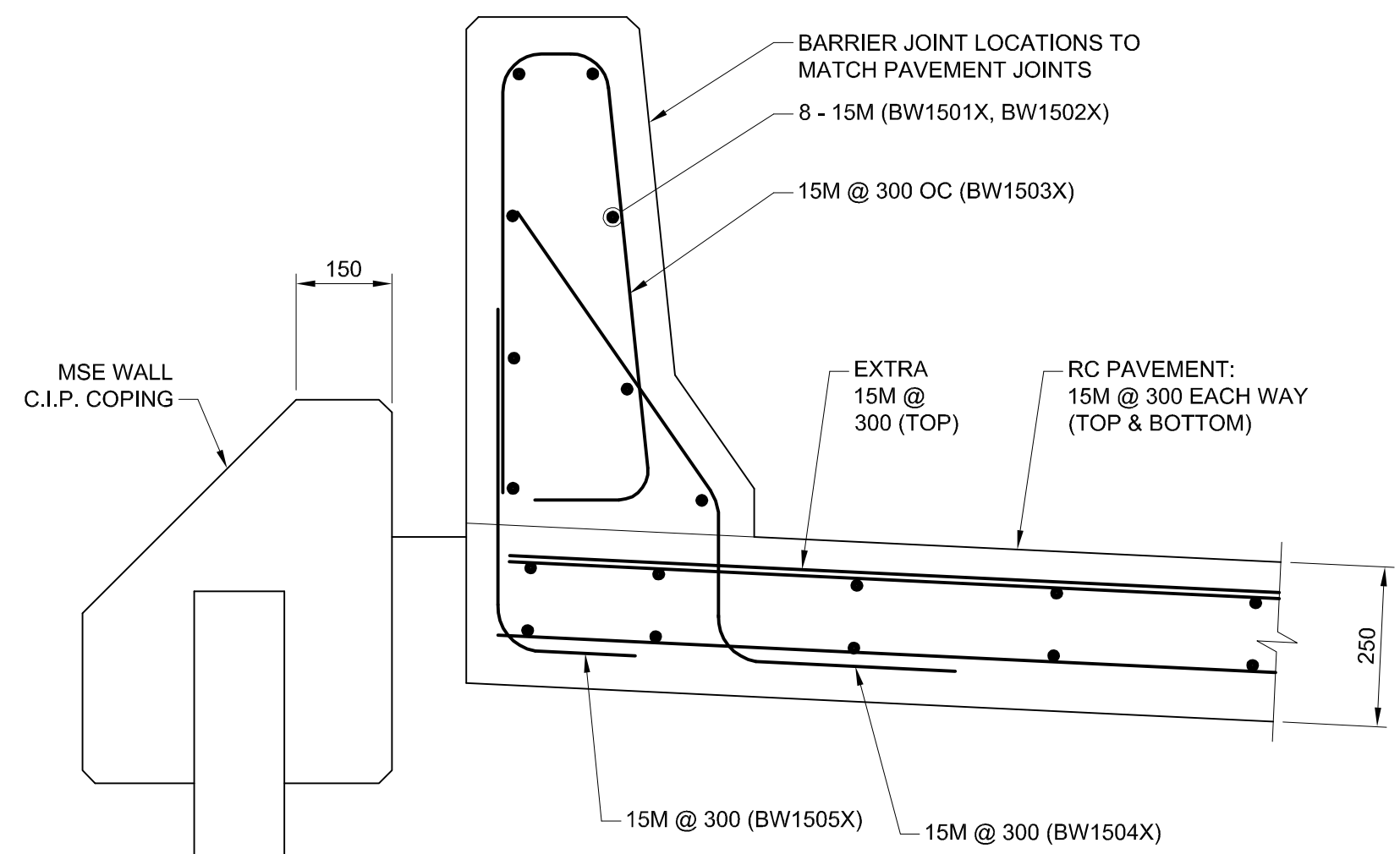
**SECTION D**  
TYPE 2 ROADWAY EXPANSION JOINT  
EAST OF JUBILEE OVERPASS  
SCALE 1:20



**ELEVATION - PANEL TYPE '2'**  
REINFORCING FOR NORTH BARRIERS ALONG MSE WALL (INSIDE FACE)  
ON REINFORCED CONCRETE PAVEMENT LAYOUTS 2 & 5 REQUIRED



**ELEVATION - PANEL TYPE '3'**  
REINFORCING FOR NORTH BARRIERS ALONG MSE WALL (INSIDE FACE)  
ON REINFORCED CONCRETE PAVEMENT LAYOUT 5 & 1 REQUIRED



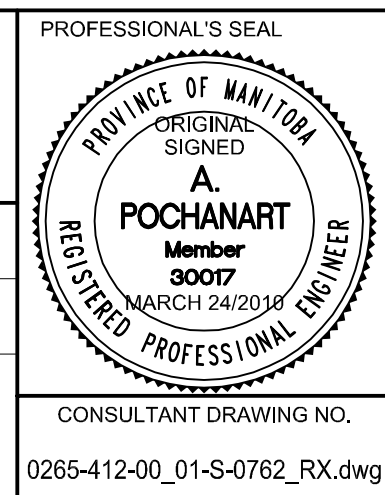
**CONCRETE PAVEMENT REINFORCING DETAIL**  
SCALE 1:10

**METRIC**  
WHOLE NUMBERS INDICATE MILLIMETRES  
DECIMALIZED NUMBERS INDICATE METRES



LOCATION APPROVED UNDERGROUND STRUCTURES		BM ELEV
SUPR. U/G STRUCTURES COMMITTEE	DATE	
NOTE: LOCATION OF UNDERGROUND STRUCTURES AS SHOWN ARE BASED ON THE BEST INFORMATION AVAILABLE. BUT NO GUARANTEE IS GIVEN THAT ALL EXISTING UTILITIES ARE SHOWN OR THAT THE GIVEN LOCATIONS ARE EXACT. CONFIRMATION OF EXISTENCE AND EXACT LOCATION OF ALL SERVICES MUST BE OBTAINED FROM THE INDIVIDUAL UTILITIES BEFORE PROCEEDING WITH CONSTRUCTION.		
0	ISSUED FOR CONSTRUCTION	10/03/24 CPK
A	ISSUED FOR 100% REVIEW	10/03/08 DJH
NO.	REVISIONS	YYMMDD BY

AECOM		PROFESSIONAL'S SEAL	
DESIGNED BY	AP	CHECKED BY	SBB / CGC
DRAWN BY	DJH	APPROVED BY	
HOR. SCALE	AS NOTED	RELEASED FOR CONSTRUCTION	
VERT. SCALE	AS NOTED		
DATE	YYMMDD	DATE	



**THE CITY OF WINNIPEG**  
PUBLIC WORKS DEPARTMENT  
ENGINEERING DIVISION

**JUBILEE AVENUE OVERPASS REHABILITATION**

REINFORCED CONCRETE PAVEMENT & EXPANSION JOINT DETAILS

CITY DRAWING NUMBER: B124-10-18  
SHEET 18 OF 51  
DRAWING No. 18  
REV 0

BID OPPORTUNITY NO. 133-2010