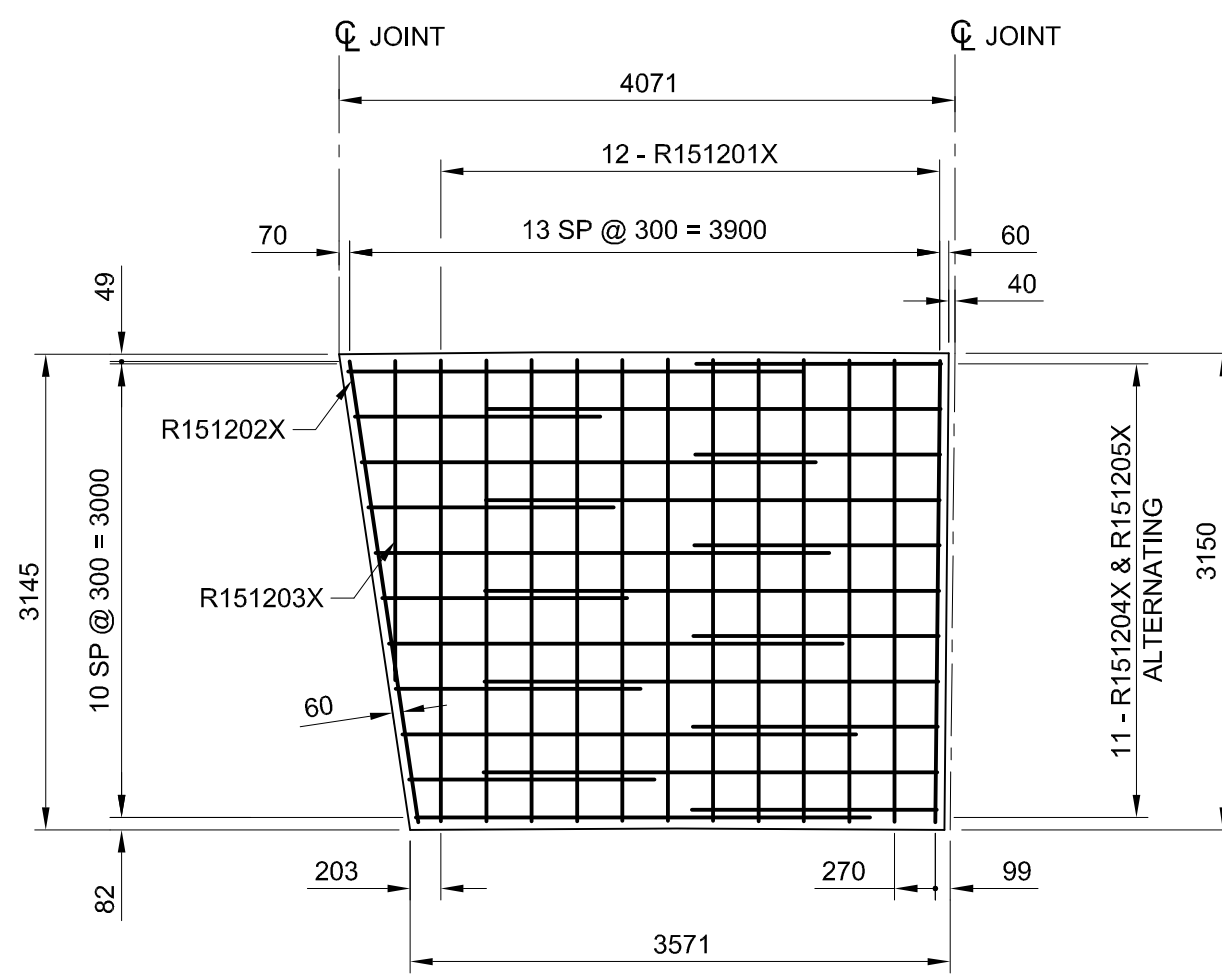


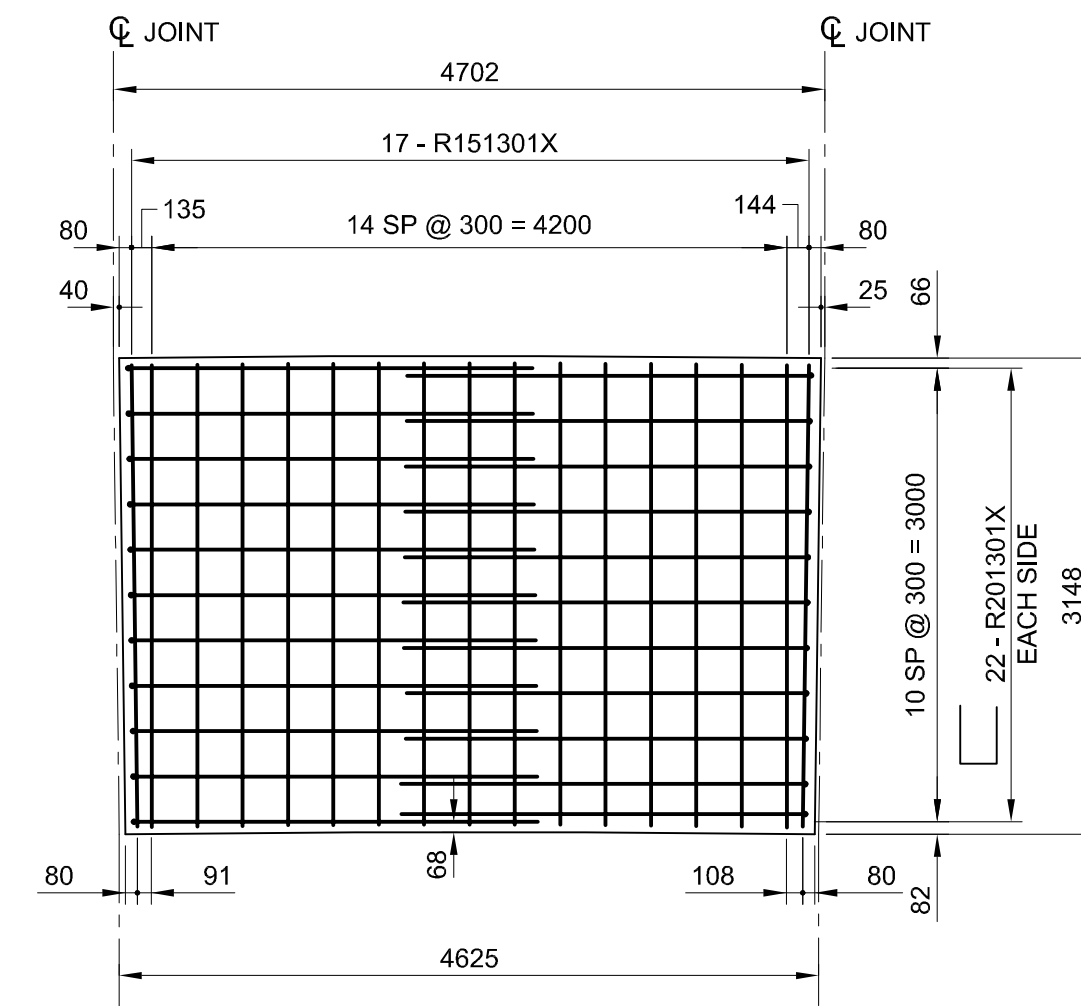
LAYOUTS AND DOWEL PLAN

mm SCALE 1:300



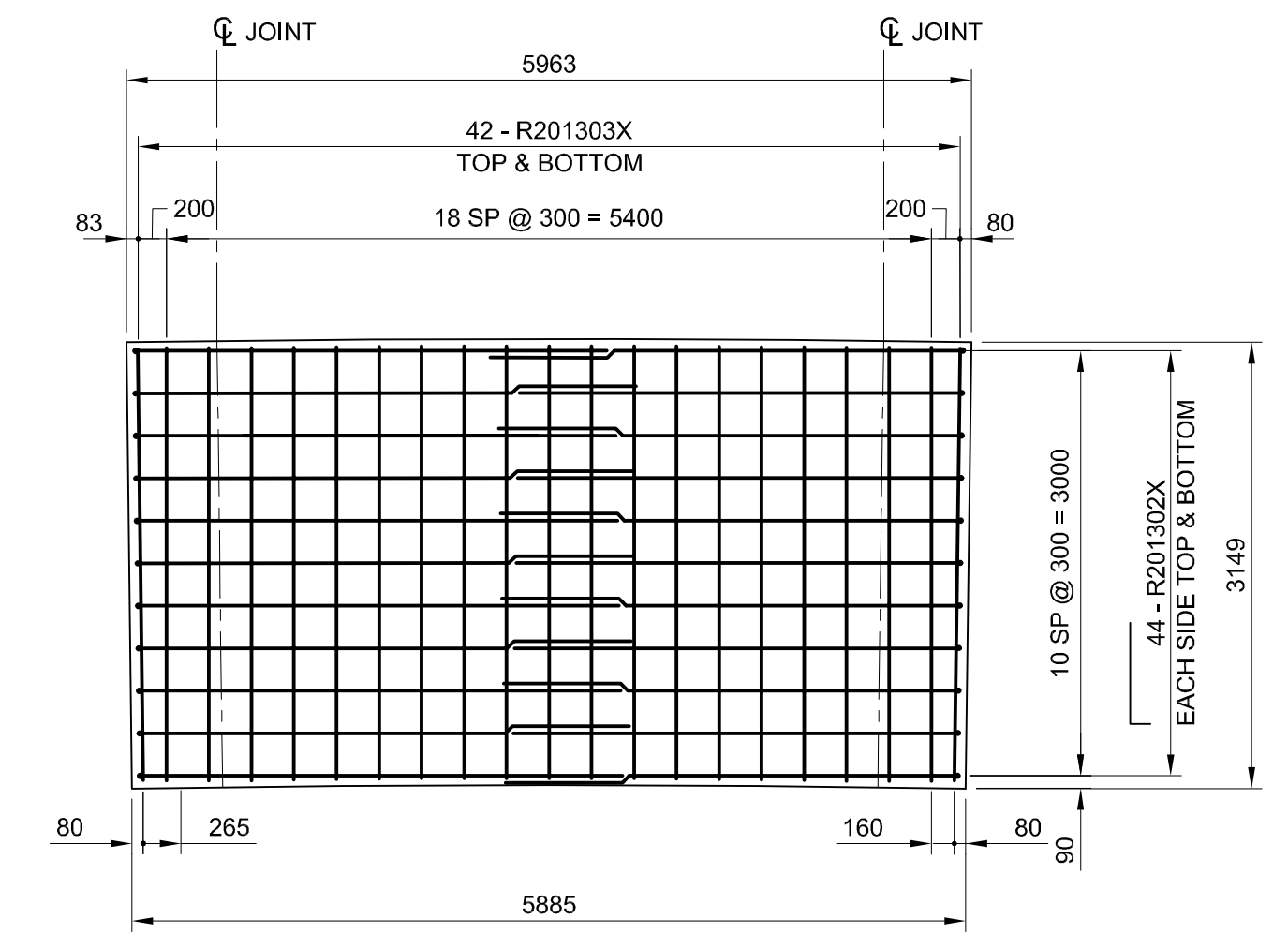
TOP & BOTTOM REINFORCING - LAYOUT 12

mm SCALE 1:50



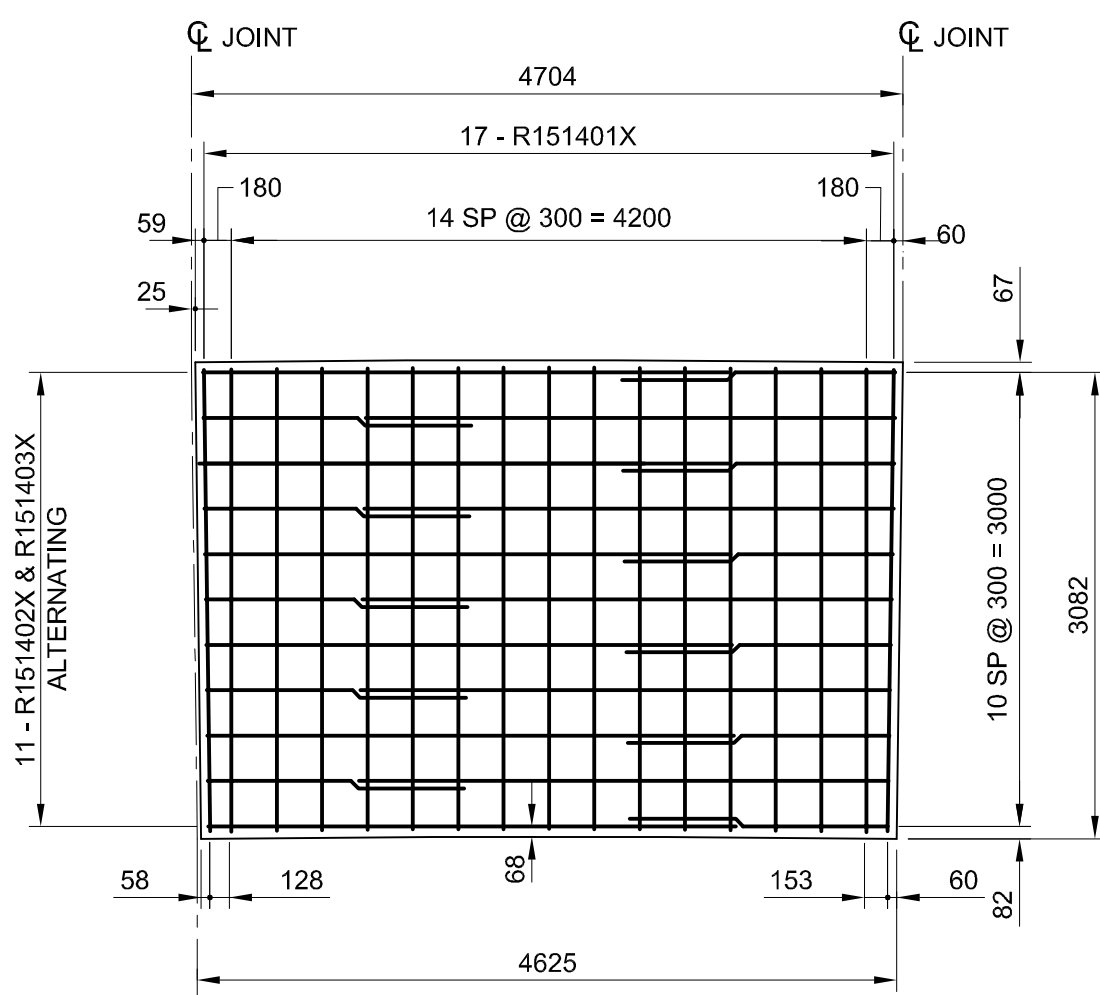
TOP REINFORCING - LAYOUT 13

mm SCALE 1:50



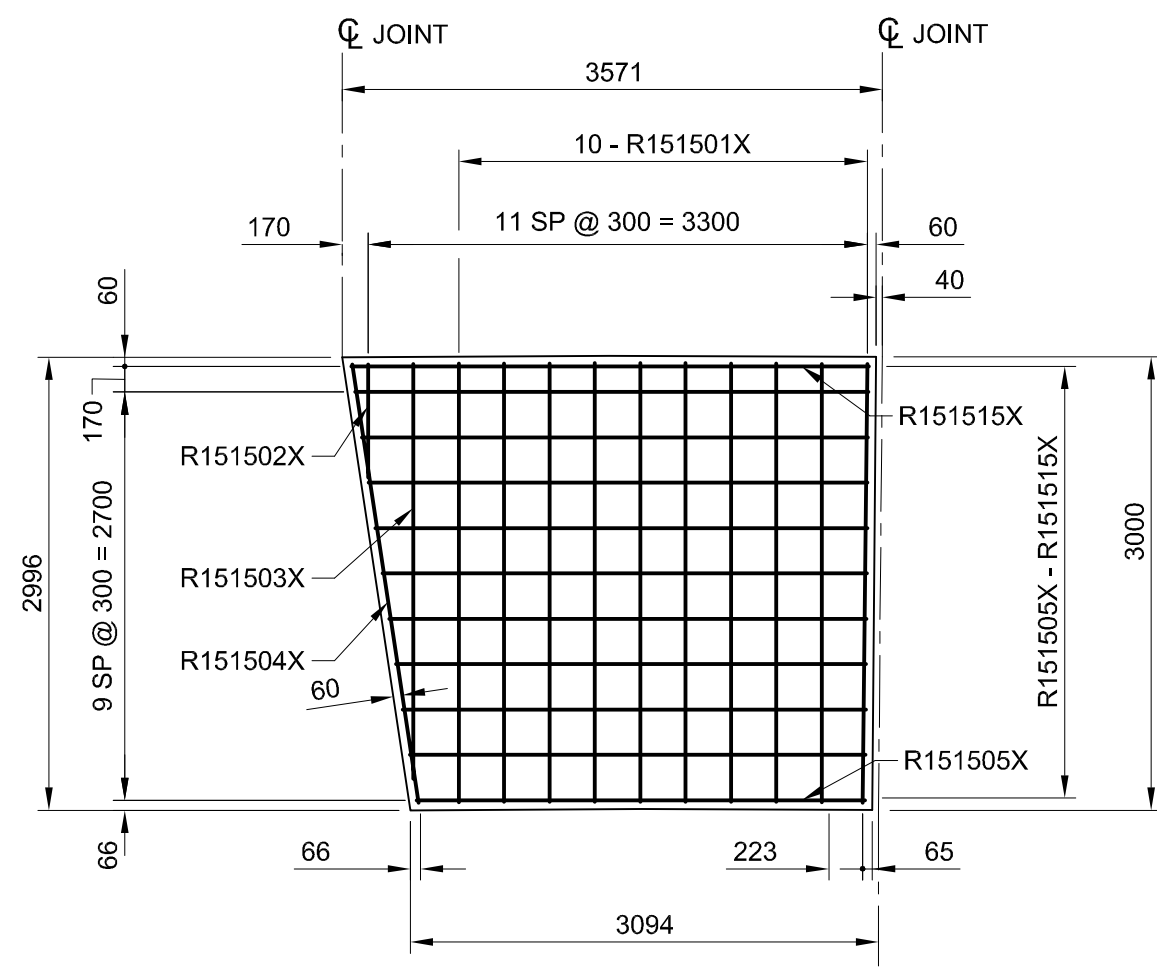
BOTTOM REINFORCING - LAYOUT 13

mm SCALE 1:50



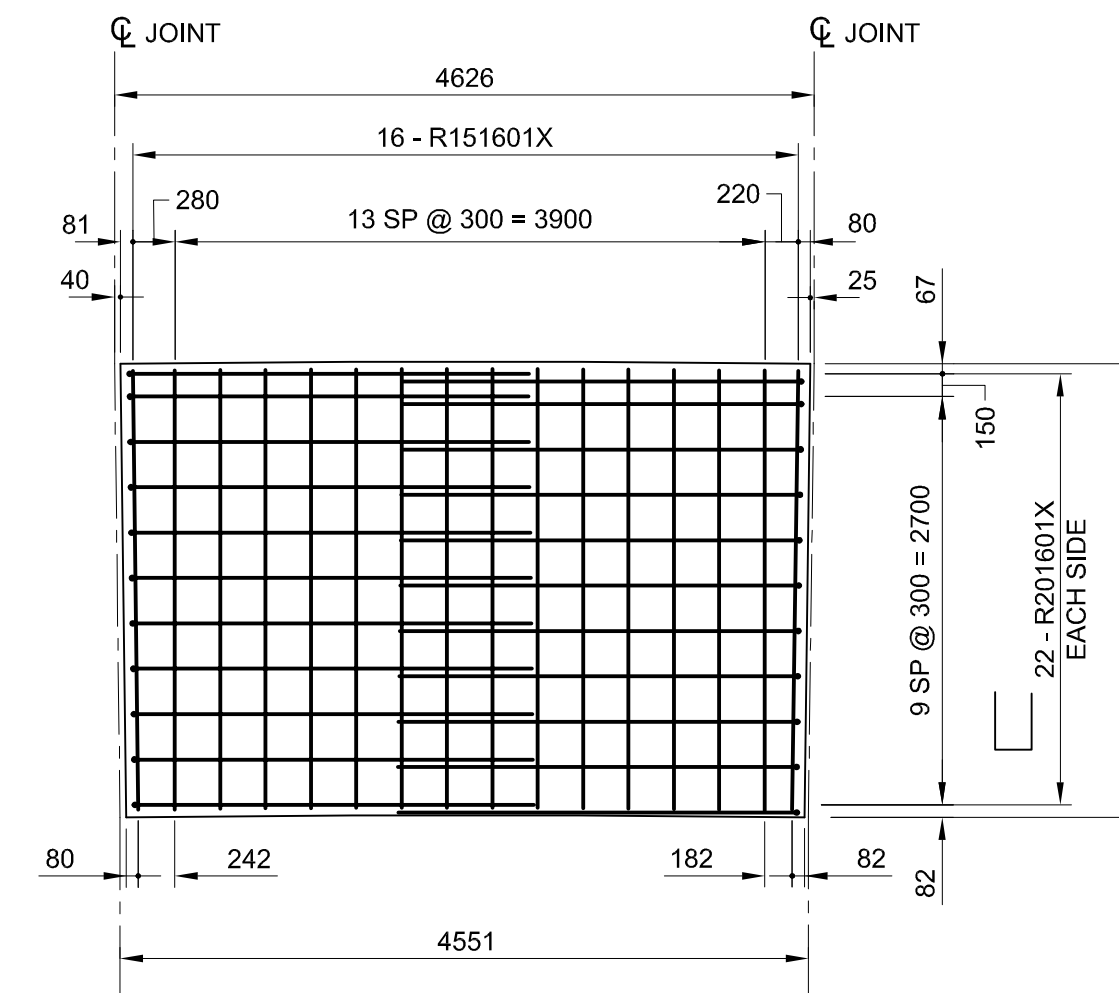
TOP & BOTTOM REINFORCING - LAYOUT 14

mm SCALE 1:50



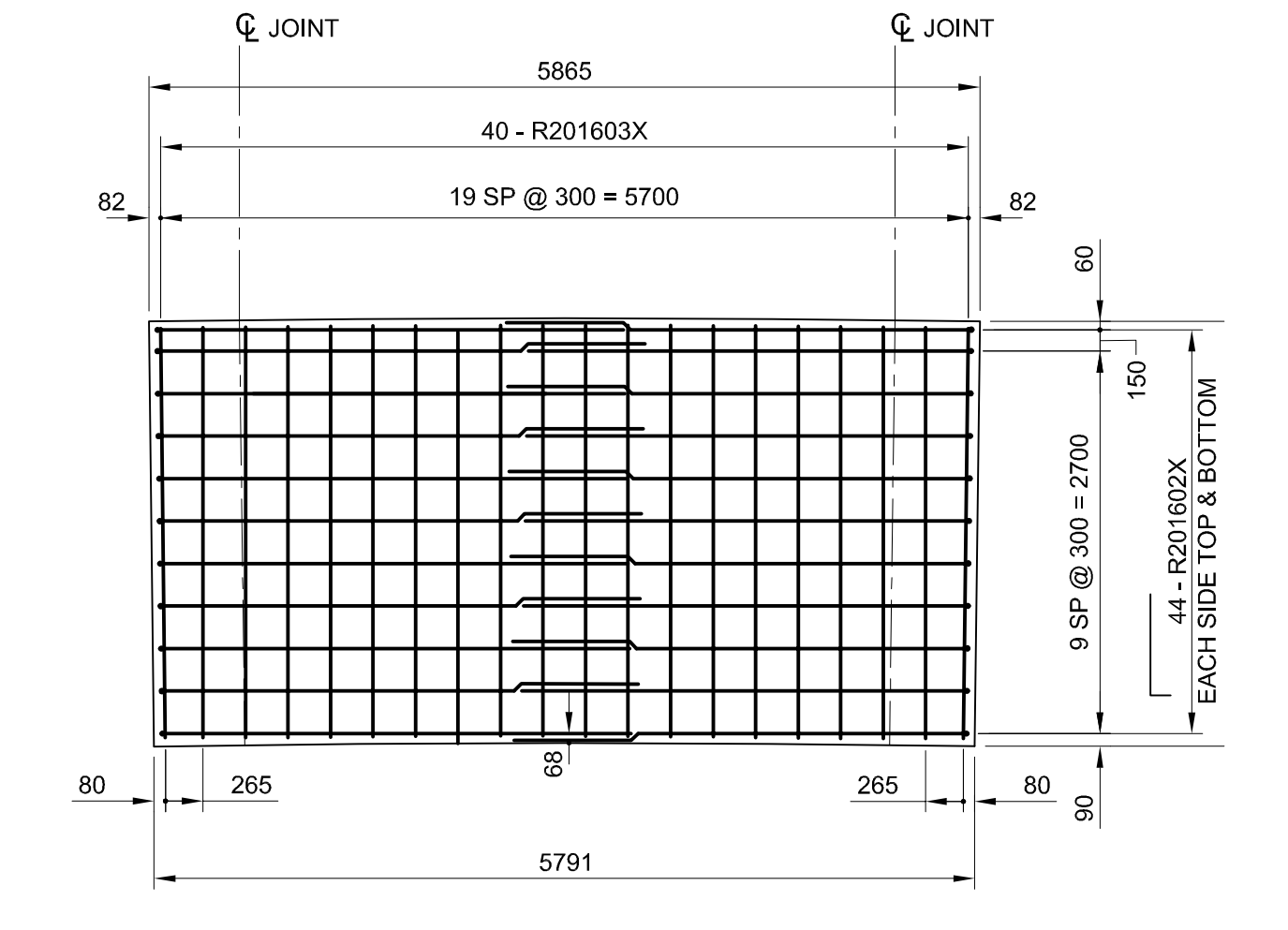
TOP & BOTTOM REINFORCING - LAYOUT 15

mm SCALE 1:50



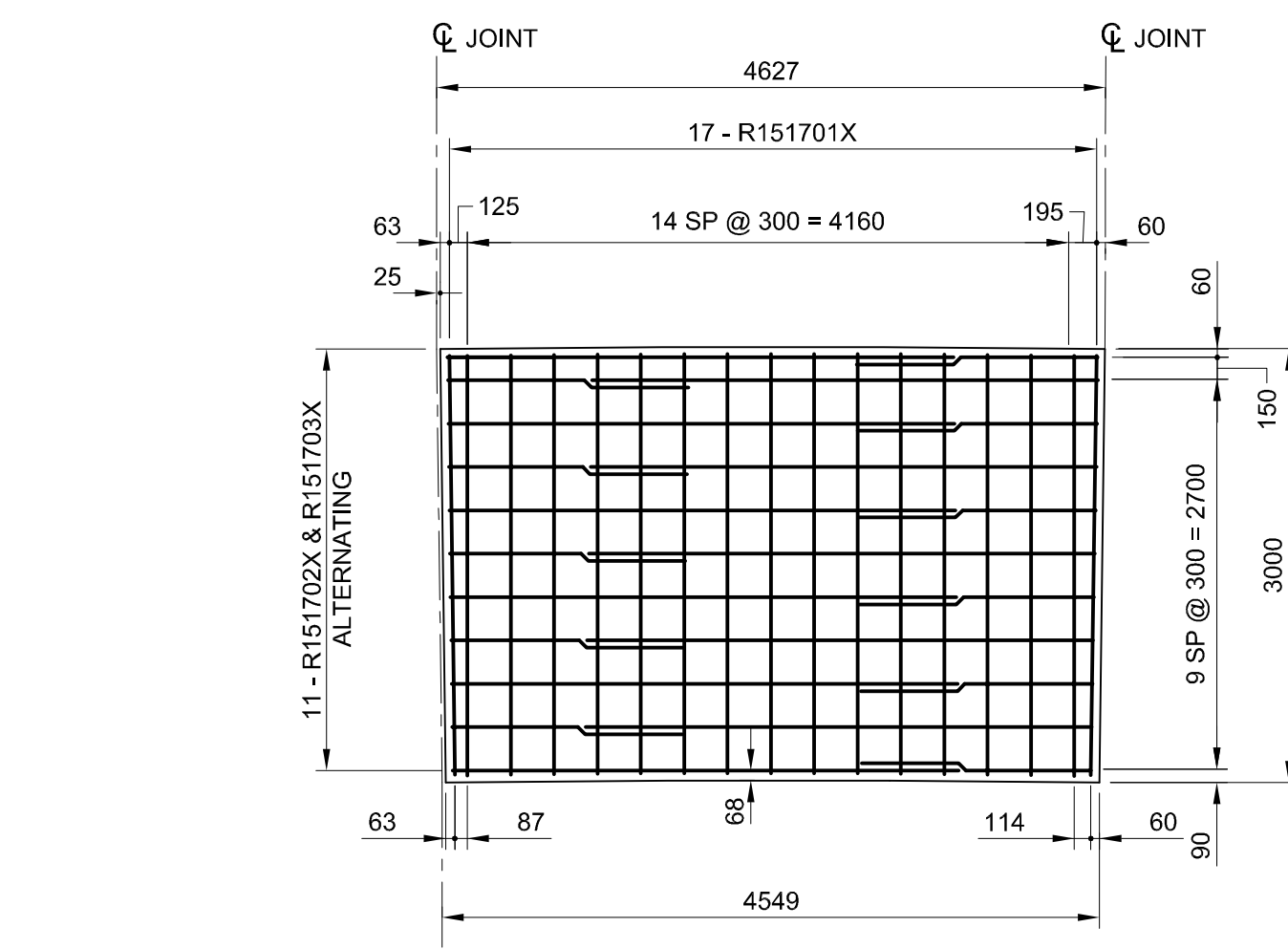
TOP REINFORCING - LAYOUT 16

mm SCALE 1:50



BOTTOM REINFORCING - LAYOUT 16

mm SCALE 1:50



TOP & BOTTOM REINFORCING - LAYOUT 17

mm SCALE 1:50

LOCATION APPROVED UNDERGROUND STRUCTURES

SUPR. U/G STRUCTURES COMMITTEE DATE

NOTE:
LOCATION OF UNDERGROUND STRUCTURES AS SHOWN ARE BASED ON THE BEST INFORMATION AVAILABLE. BUT NO GUARANTEE IS GIVEN THAT ALL EXISTING UTILITIES ARE SHOWN OR THAT THE GIVEN LOCATIONS ARE EXACT. CONFIRMATION OF EXISTENCE AND EXACT LOCATION OF ALL SERVICES MUST BE OBTAINED FROM THE INDIVIDUAL UTILITIES BEFORE PROCEEDING WITH CONSTRUCTION.

NO.	ISSUED FOR CONSTRUCTION	DATE	BY
0	ISSUED FOR CONSTRUCTION	10/03/24	CPK
	REVISIONS	YYMMDD	BY

DESIGNED BY	CHECKED BY
AP	SBB / CGC
DRAWN BY	APPROVED BY
DJH	
HOR. SCALE	RELEASED FOR CONSTRUCTION
AS NOTED	
VERT. SCALE	DATE
AS NOTED	YYMMDD

AECOM
Certificate of Authorization
AECOM Canada Ltd.
Original dated on:
No. 4671 Date: 2010/03/24

PROFESSIONAL'S SEAL
PROVINCE OF MANITOBA
ORIGINAL SIGNED
A. POCHANART
Member 90017
MARCH 24/2018
REGISTERED PROFESSIONAL ENGINEER
CONSULTANT DRAWING NO.
0265-412-00_01-S-0765_RX.dwg

BID OPPORTUNITY NO. 133-2010

THE CITY OF WINNIPEG
PUBLIC WORKS DEPARTMENT
ENGINEERING DIVISION

JUBILEE AVENUE OVERPASS REHABILITATION

REINFORCED CONCRETE PAVEMENT LAYOUTS III

CITY DRAWING NUMBER B124-10-23	SHEET 23 OF 51
DRAWING No. 23	REV 0