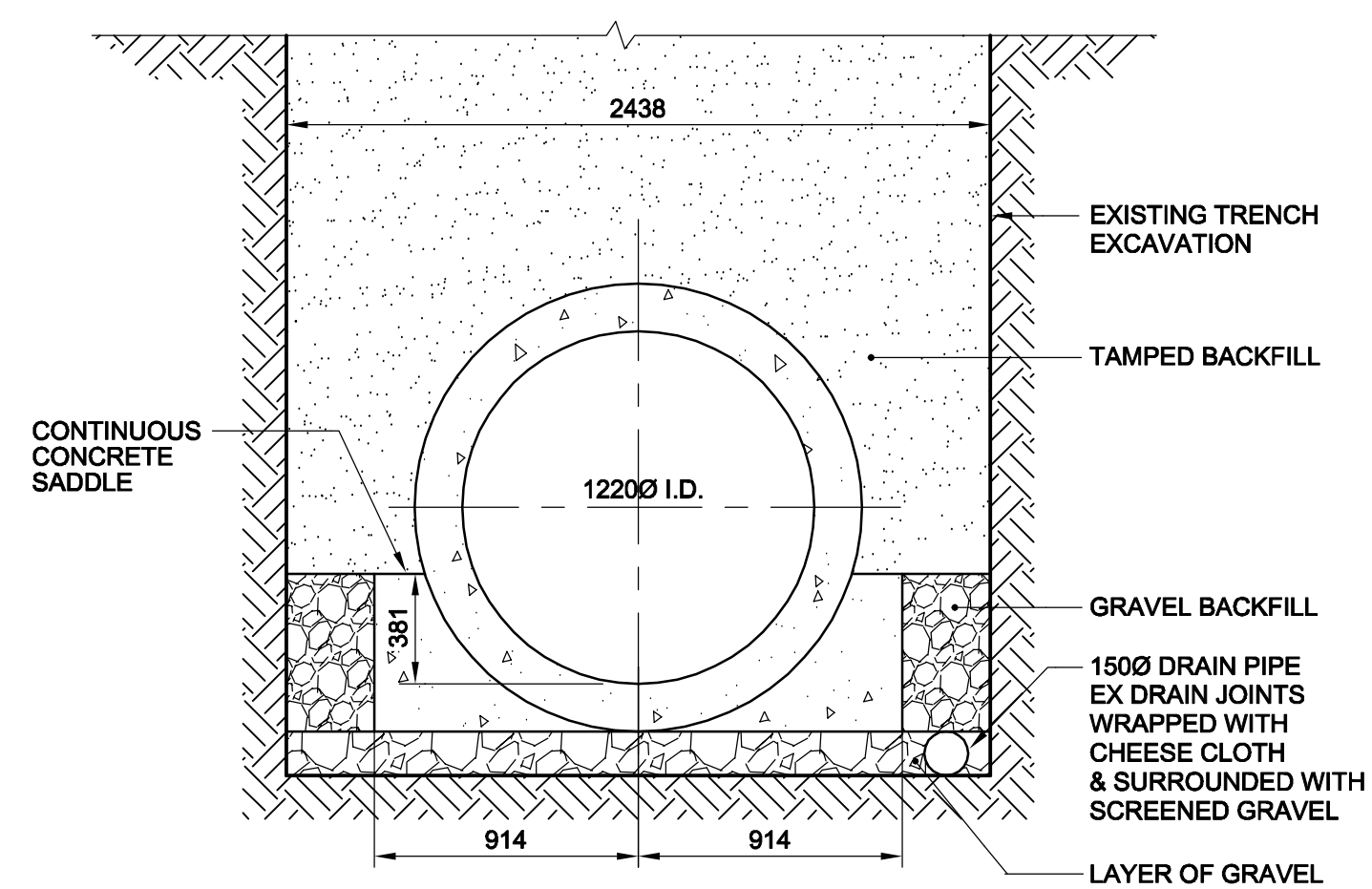


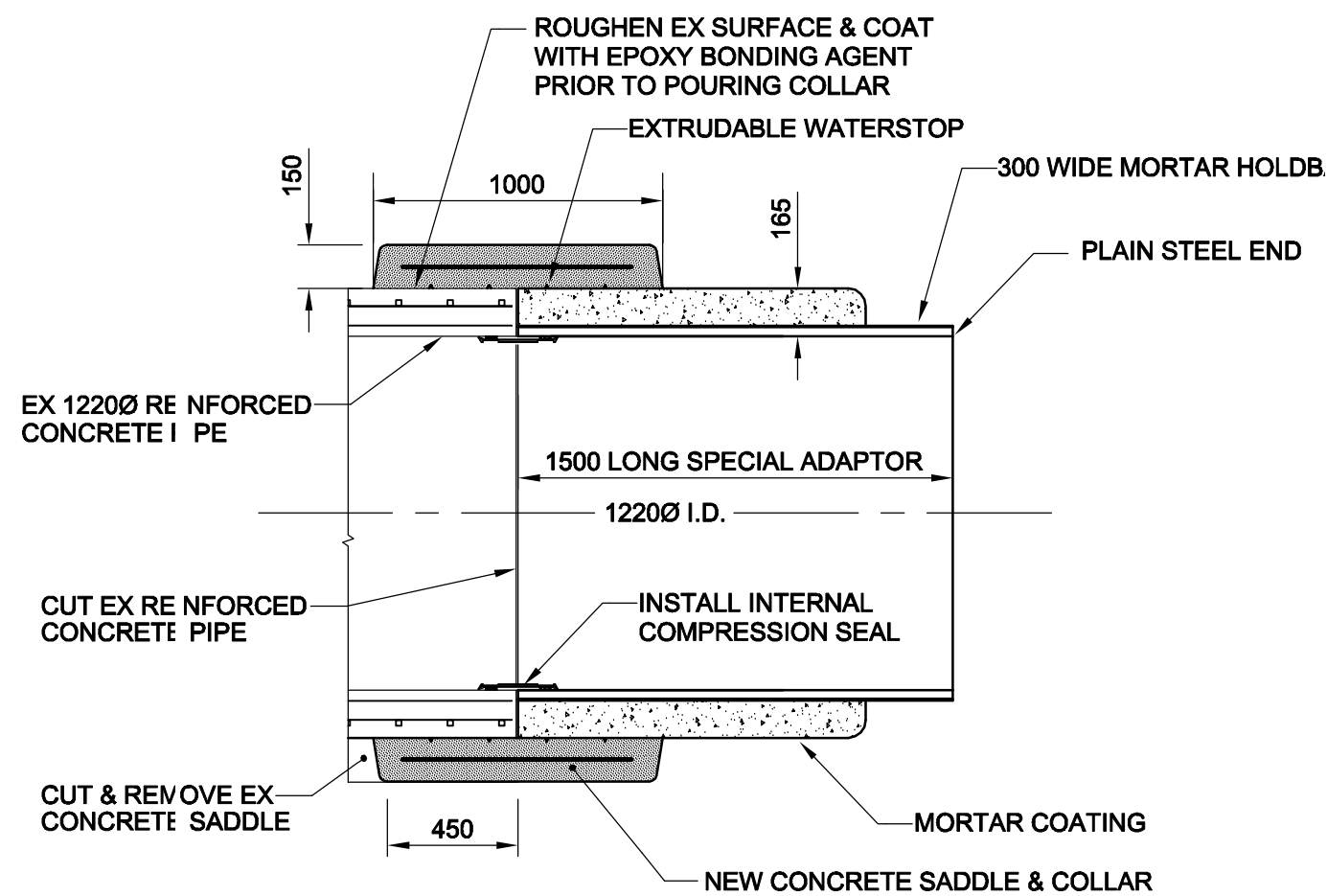
D SIZE 22" x 34" (559mm x 864mm)  
 PLOT: 10/02/10 8:35:12 AM  
 AECOM REVIEW DRFT CHK KVB  
 AECOM FILE NAME: D265-250-00\_01-C-4003\_RX.dwg Saved By:



**SECTION**

SCALE 1:25  
0 0.25 0.5 0.75 m

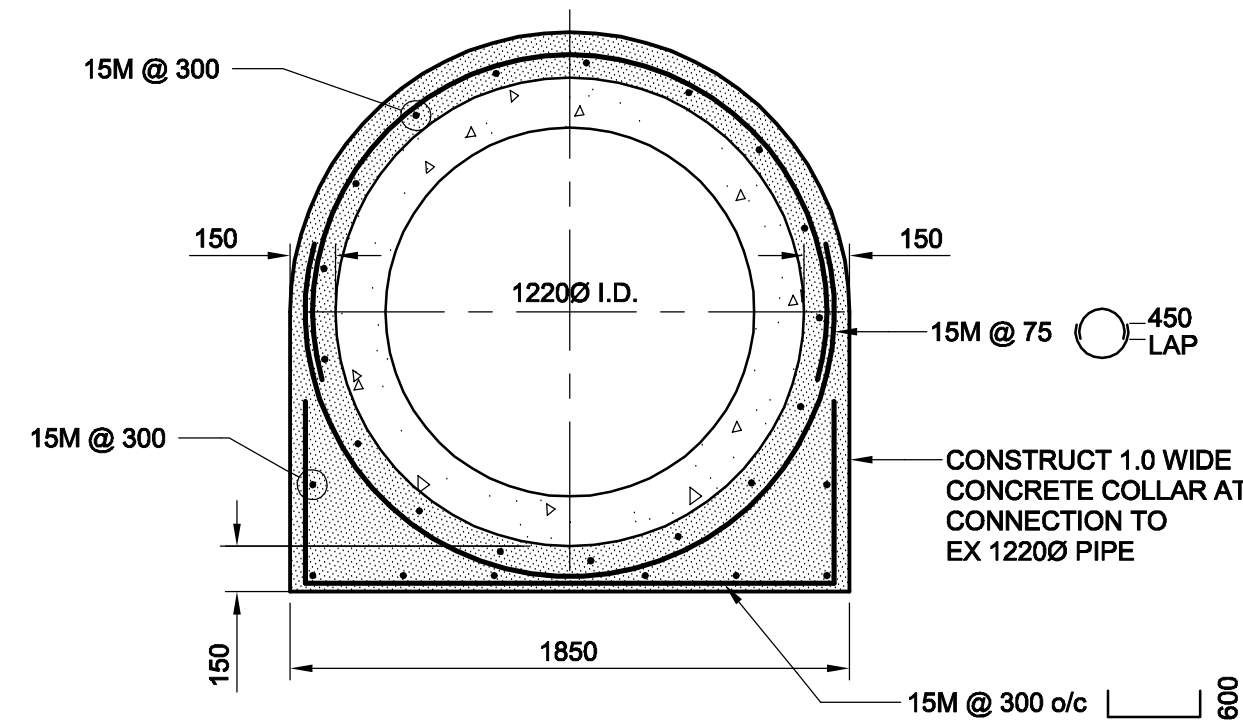
EXISTING 1220Ø BRANCH I AQUEDUCT & UNDERDRAIN



**DETAIL**

SCALE 1:25  
0 0.5 0.75 m

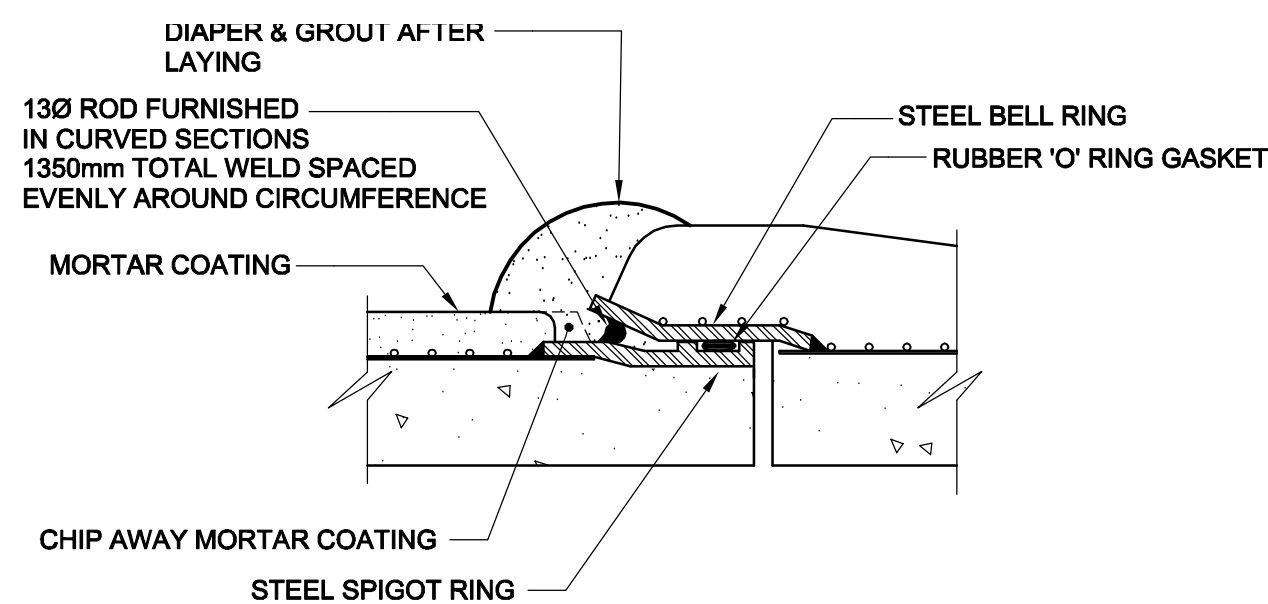
1220Ø SPECIAL ADAPTOR



**SECTION**

SCALE 1:25  
0 0.25 0.5 0.75 m

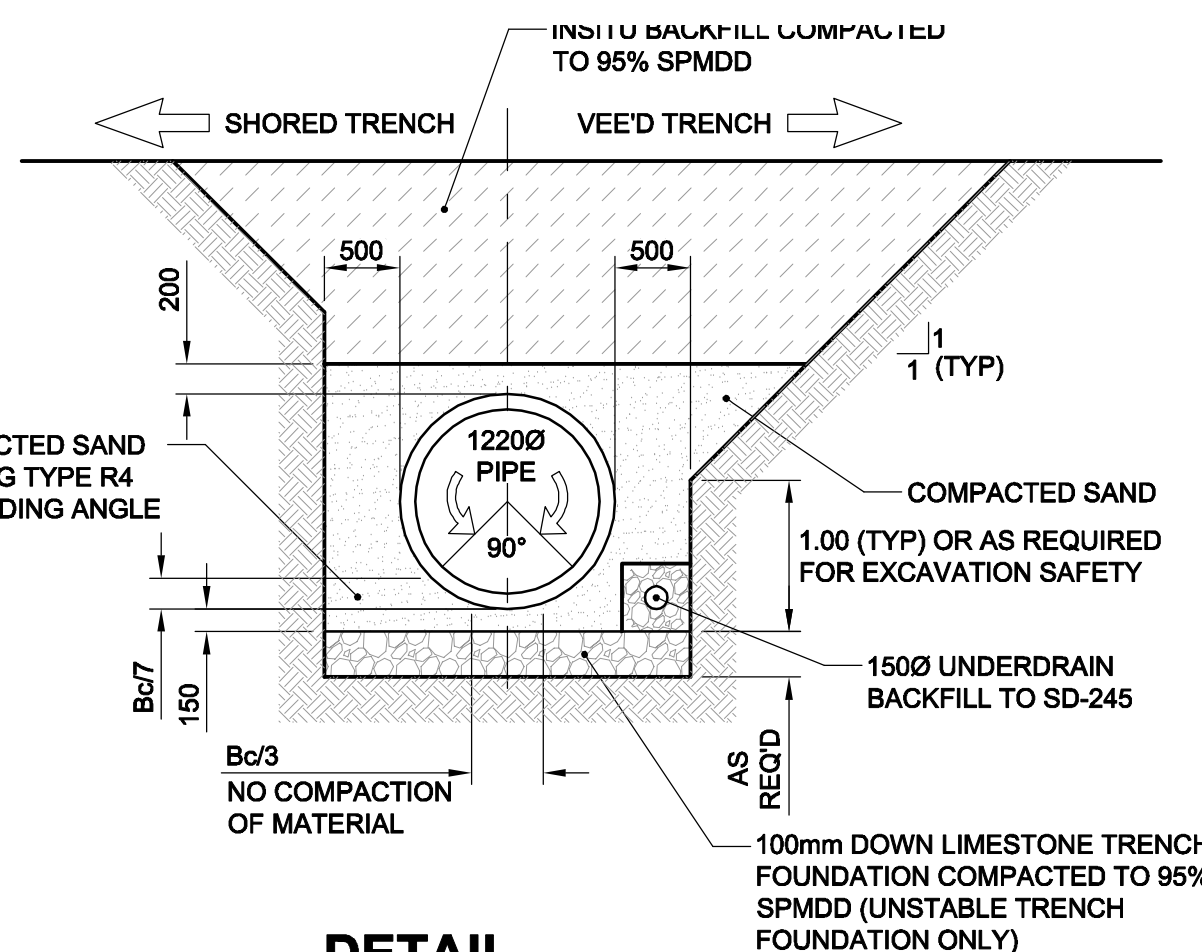
NEW CONCRETE COLLAR FOR 1220Ø PIPE CONNECTION LOCATION



**DETAIL**

SCALE 1:5  
0 0.05 0.1 0.15 m

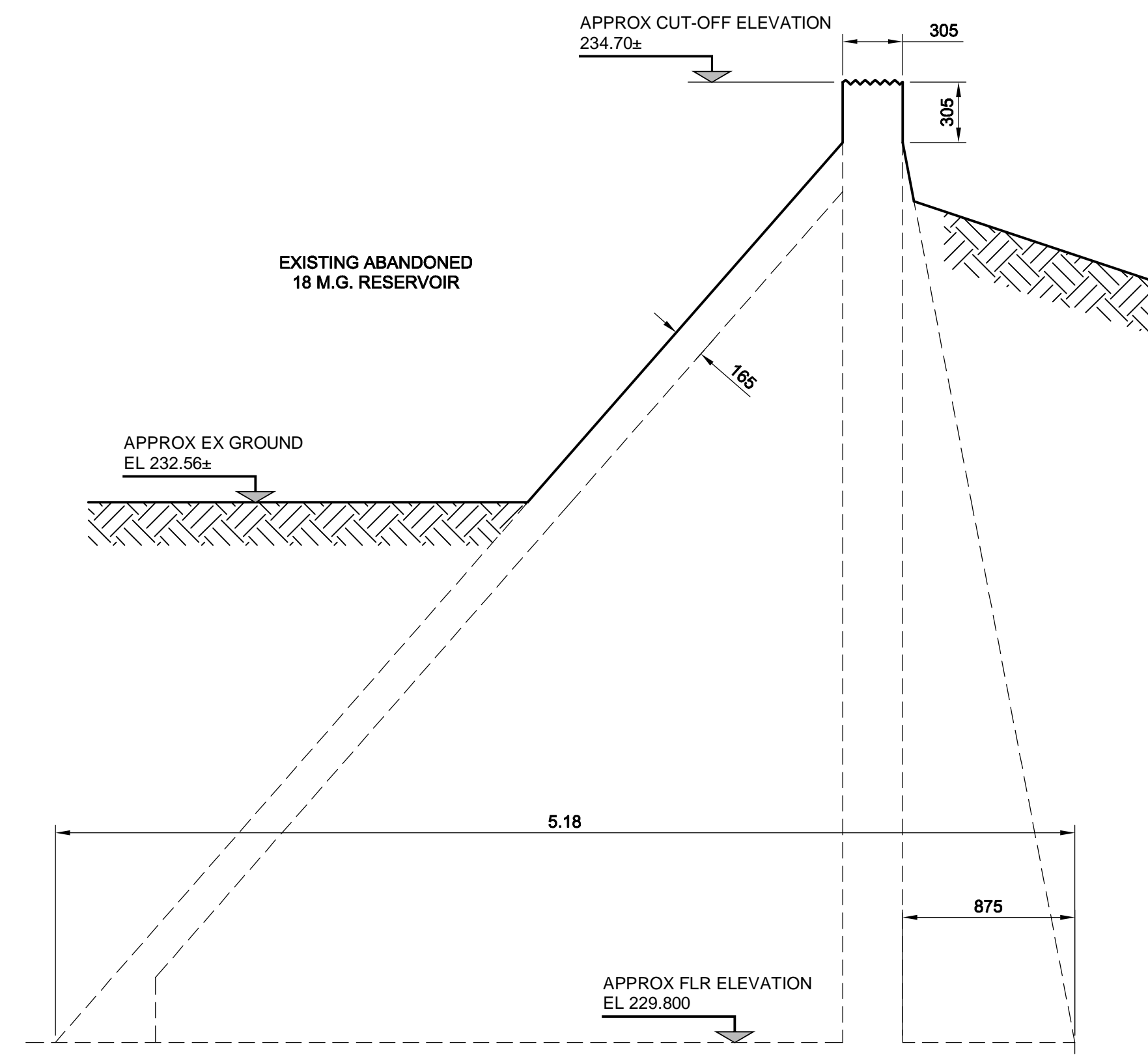
1220Ø EXTERNAL PCCP WELDED RESTRAINED JOINT



**DETAIL**

SCALE 1:50  
0 0.5 1 1.5 m

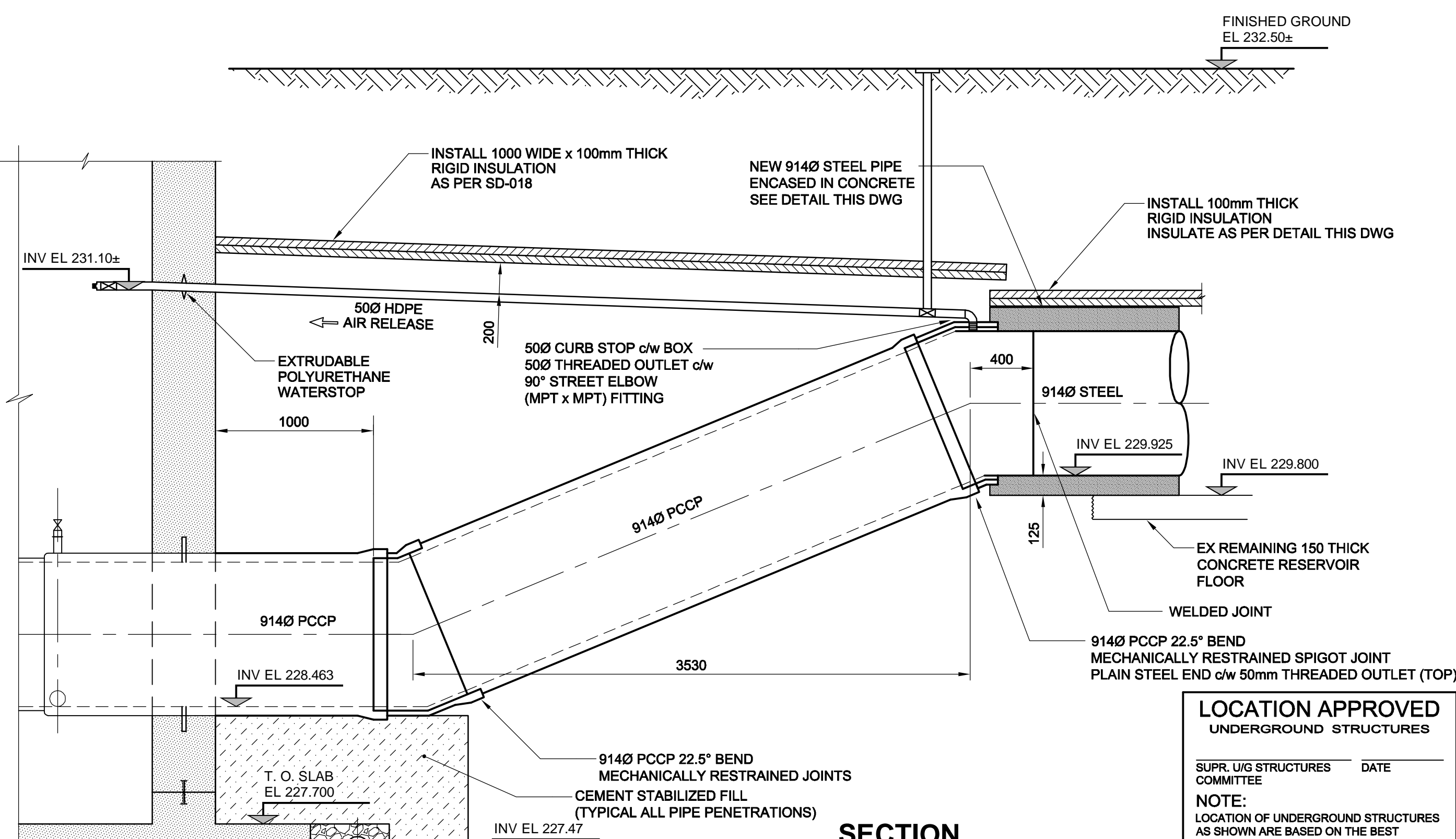
TYPICAL PIPE BEDDING BACKFILL



**SECTION**

SCALE 1:25  
0 0.25 0.5 0.75 m

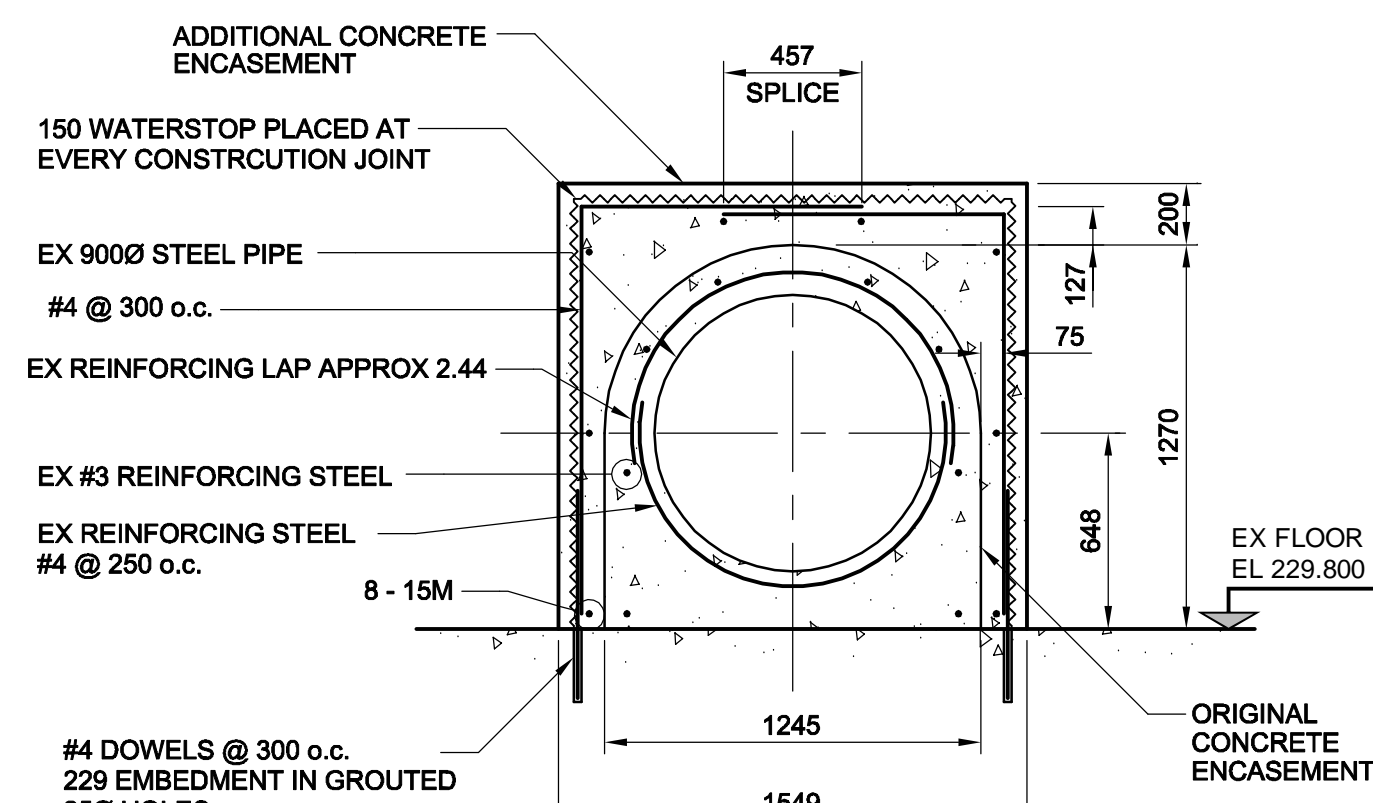
THRU EXISTING REMAINING RESERVOIR WALL AND FLOOR



**SECTION**

SCALE 1:25  
0 0.25 0.5 0.75 m

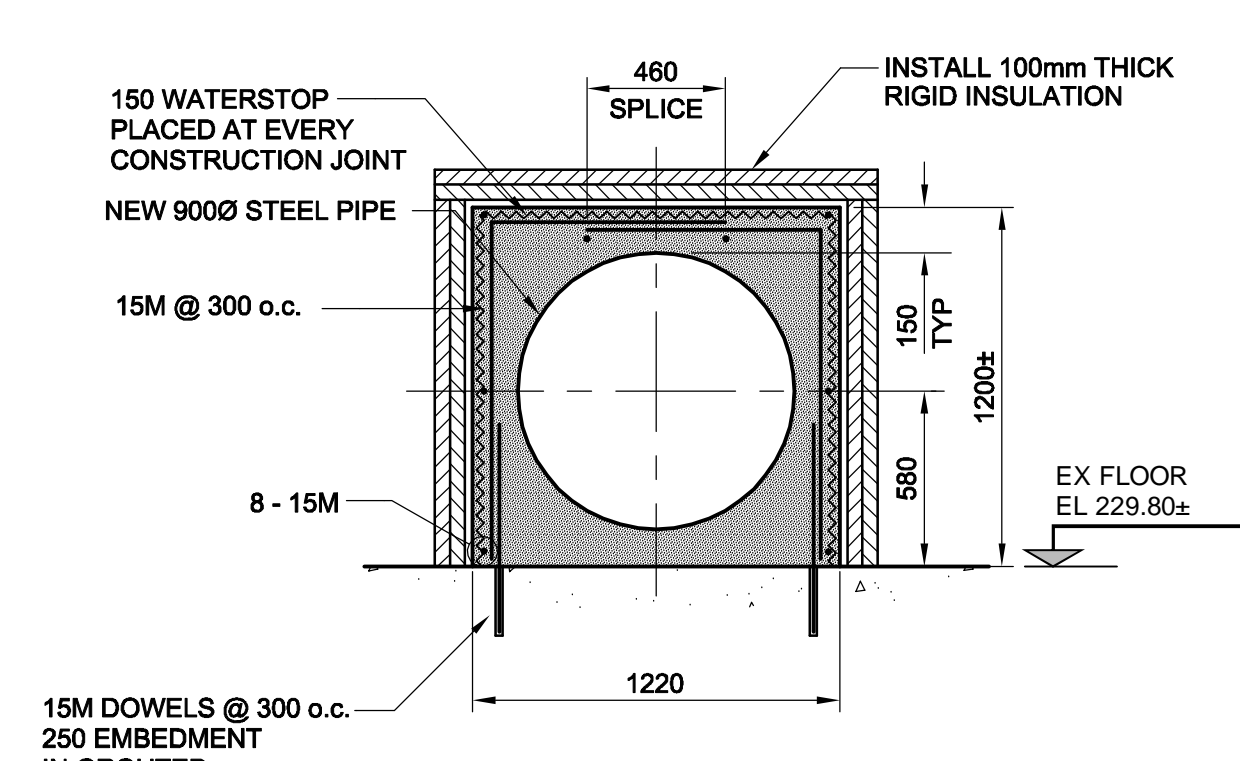
THRU NEW 914Ø STEEL PIPE



**SECTION**

SCALE 1:25  
0 0.25 0.5 0.75 m

EXISTING 914Ø STEEL PIPE CONCRETE ENCASUREMENT



**SECTION**

SCALE 1:25  
0 0.25 0.5 0.75 m

NEW 914Ø STEEL PIPE CONCRETE ENCASUREMENT



**LOCATION APPROVED UNDERGROUND STRUCTURES**

SUPR. U/G STRUCTURES	DATE

**NOTE:**  
 LOCATION OF UNDERGROUND STRUCTURES AS SHOWN ARE BASED ON THE BEST INFORMATION AVAILABLE. BUT NO GUARANTEE IS GIVEN THAT ALL EXISTING UTILITIES ARE SHOWN OR THAT THE GIVEN LOCATIONS ARE EXACT. CONFIRMATION OF EXISTENCE AND EXACT LOCATION OF ALL SERVICES MUST BE OBTAINED FROM THE INDIVIDUAL UTILITIES BEFORE PROCEEDING WITH CONSTRUCTION.

NO.	REVISIONS	YY/MM/DD	BY
0	ISSUED FOR CONSTRUCTION	10/02/08	Wjd

DESIGNED BY	CHECKED BY
MGJ/ADB	M. McDonald
DRAWN BY	APPROVED BY
Wjd/ADL	Bryan Weber
HOR. SCALE	RELEASED FOR CONSTRUCTION
AS NOTED	K. Zurek
VERT. SCALE	DATE
N/A	Feb 9/10

**PROFESSIONAL'S SEAL**  
 Revision '0'  
 Issued for Construction  
 WAS SEALED BY  
 C. C. MACEY  
 AND DATED  
 08 Feb 2010  
 CONSULTANT DRAWING NO.  
 D265-250-00\_01-C-4003\_RX.dwg

**THE CITY OF WINNIPEG WATER AND WASTE DEPARTMENT**

**BRANCH 1 AQUEDUCT VALVE CHAMBER AT McPHILLIPS STREET PUMPING STATION**

**CIVIL MISCELLANEOUS DETAILS**

SHEET 7 OF 28  
 CITY DRAWING NUMBER  
**D-11917** REV 0

BID OPPORTUNITY NO. 16-2010