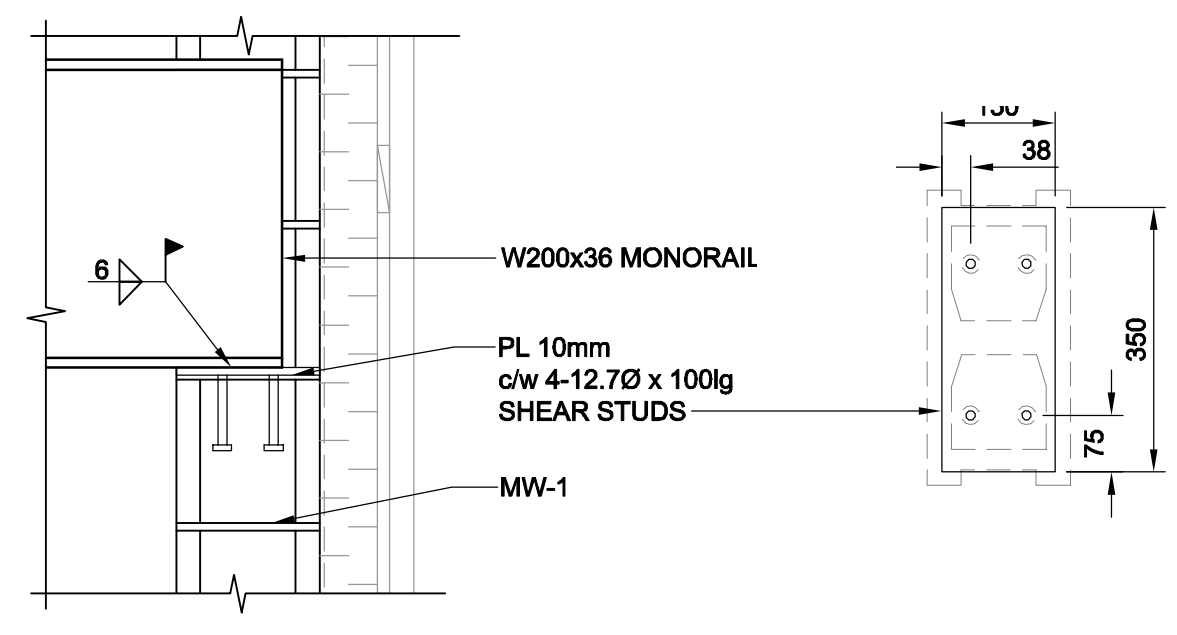
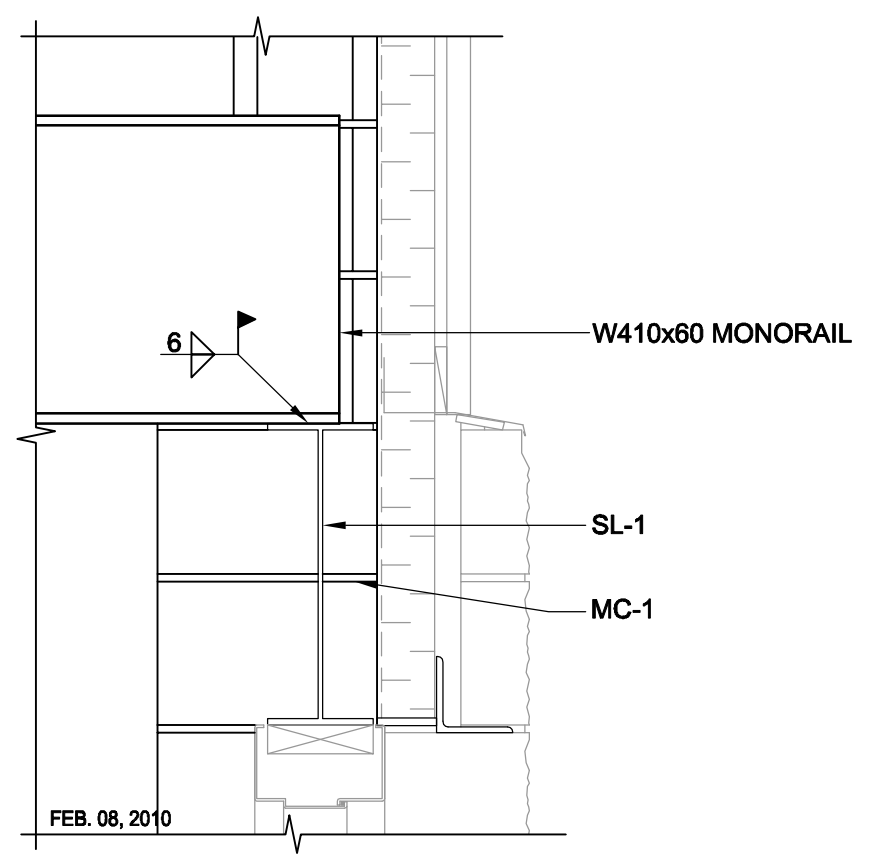
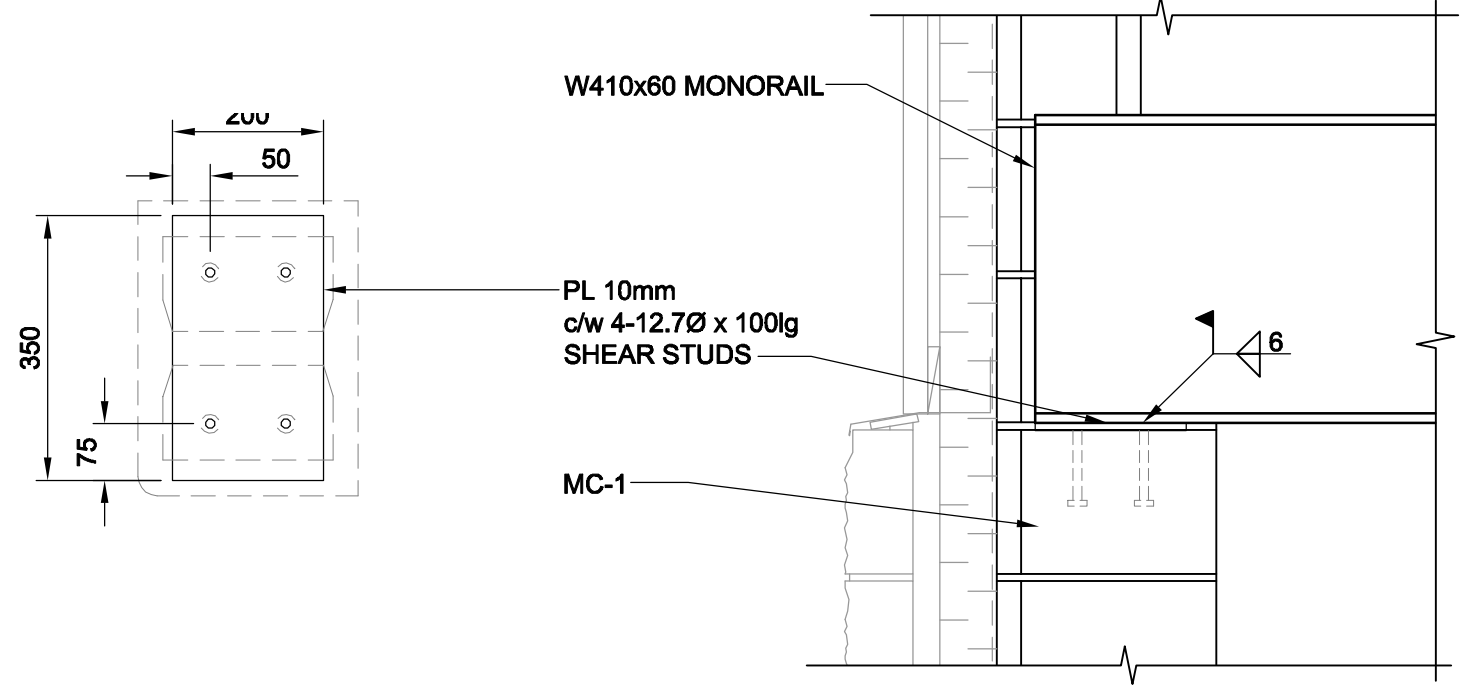
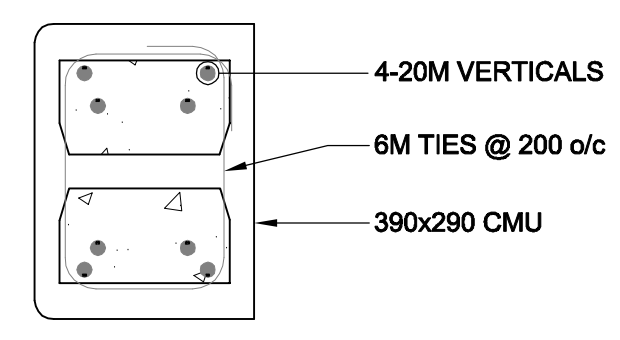


STEEL LINTEL SCHEDULE		
MARK	SIZE	REMARKS
SL-1	W410x39	REFER TO DETAIL

MASONRY COLUMN SCHEDULE					
MARK	SIZE	TYPE	REINFORCING BAR DETAILS		REMARKS
			VERTICALS	TIES	
MC-1	390x290	NORMAL	4-20 M (2ea CORE)	6M @ 200	FULLY GROUTED CORES

- NOTES:**
 1. DOWEL TO CONCRETE SUPERSTRUCTURE c/w LAP LENGTH = 1000mm
 2. LAP LENGTH WITHIN COLUMN = 1000mm

DESIGN LOADS (UNFACTORED)		
DEAD LOADS	STRUCTURE SELF WEIGHT PLUS	
	PROCESS PIPES AND VALVES, AND STEEL PLATFORMS	
LIVE LOADS	LOWER LEVEL BASE SLAB	9.6 kPa
	PLATFORMS & GRATING	9.6 kPa
	STAIRCASE	4.8 kPa
	UPPER LEVEL FLOOR SLAB	9.6 kPa
	PIPE THRUST FORCE ON WEST WALL	370 kN
	PIPE THRUST FORCE ON SOUTH WALL	270 kN
EARTH LOAD	Ko	0.6
	SOIL UNIT WEIGHT	20 kN/m ³
SNOW LOAD	HEIGHT OF SOIL	4.4m
	BASED ON NBC OF CANADA 2005, POST-DISASTER IMPORTANCE CATEGORY, Is=1.25	Ss=1.9 kPa Sr=0.2 kPa
WIND LOAD	BASED ON NBC OF CANADA 2005, POST-DISASTER IMPORTANCE CATEGORY, Iw=1.25	q(1/50) =0.45 kPa



LOCATION APPROVED UNDERGROUND STRUCTURES

SUPR. U/G STRUCTURES COMMITTEE DATE

NOTE:
 LOCATION OF UNDERGROUND STRUCTURES AS SHOWN ARE BASED ON THE BEST INFORMATION AVAILABLE. BUT NO GUARANTEE IS GIVEN THAT ALL EXISTING UTILITIES ARE SHOWN OR THAT THE GIVEN LOCATIONS ARE EXACT. CONFIRMATION OF EXISTENCE AND EXACT LOCATION OF ALL SERVICES MUST BE OBTAINED FROM THE INDIVIDUAL UTILITIES BEFORE PROCEEDING WITH CONSTRUCTION.



NO.	REVISIONS	YYMMDD	BY
0	ISSUED FOR CONSTRUCTION	10/02/09	KK

AECOM		This drawing has been prepared for the use of AECOM's client and may not be used, reproduced or relied upon by third parties, except as agreed by AECOM and its client, as required by law or for use by governmental reviewing agencies. AECOM accepts no responsibility, and denies any liability whatsoever, to any party that modifies this drawing without AECOM's express written consent. Do not scale this document. All measurements must be obtained from stated dimensions.	
DESIGNED BY	KK/GGP	CHECKED BY	GGP
DRAWN BY	KK	APPROVED BY	Bryan Weber
HOR. SCALE	AS SHOWN	RELEASED FOR CONSTRUCTION	KZ
VERT. SCALE	-	DATE	FEB. 9/10

PROFESSIONAL'S SEAL
 ORIGINAL SIGNED BY
 B.F. ABDUL WAHID
 2010/02/08
 CONSULTANT DRAWING NO.
 D265-250-00_01-S-1003_RX.dwg

BID OPPORTUNITY NO. 16-2010

THE CITY OF WINNIPEG
WATER AND WASTE DEPARTMENT
BRANCH I AQUEDUCT VALVE CHAMBER
AT McPHILLIPS STREET
PUMPING STATION
STRUCTURAL
ROOF FRAMING PLAN & DETAILS

SHEET	15	OF	28
CITY DRAWING NUMBER	D-11925		
REV	0		