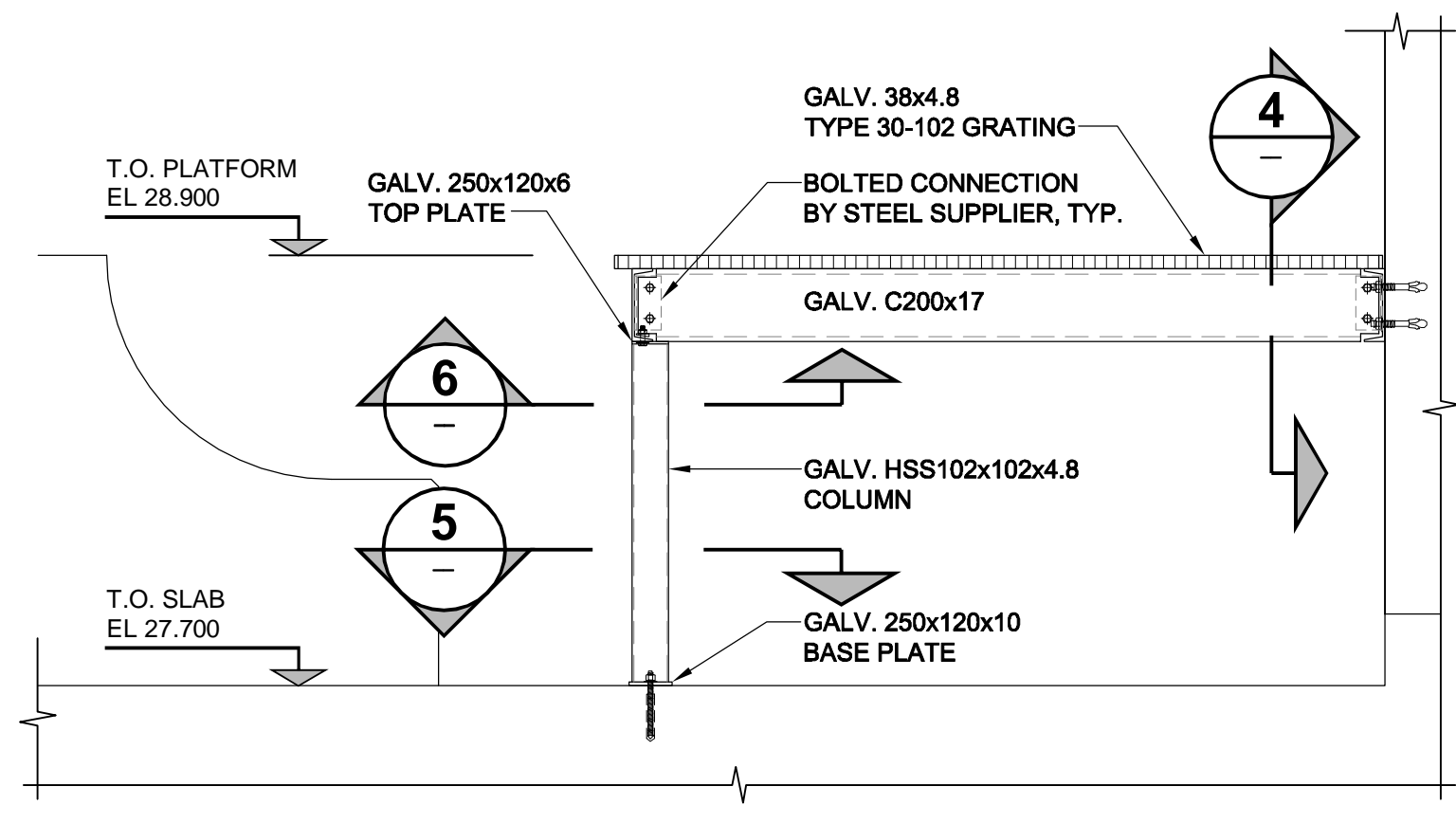
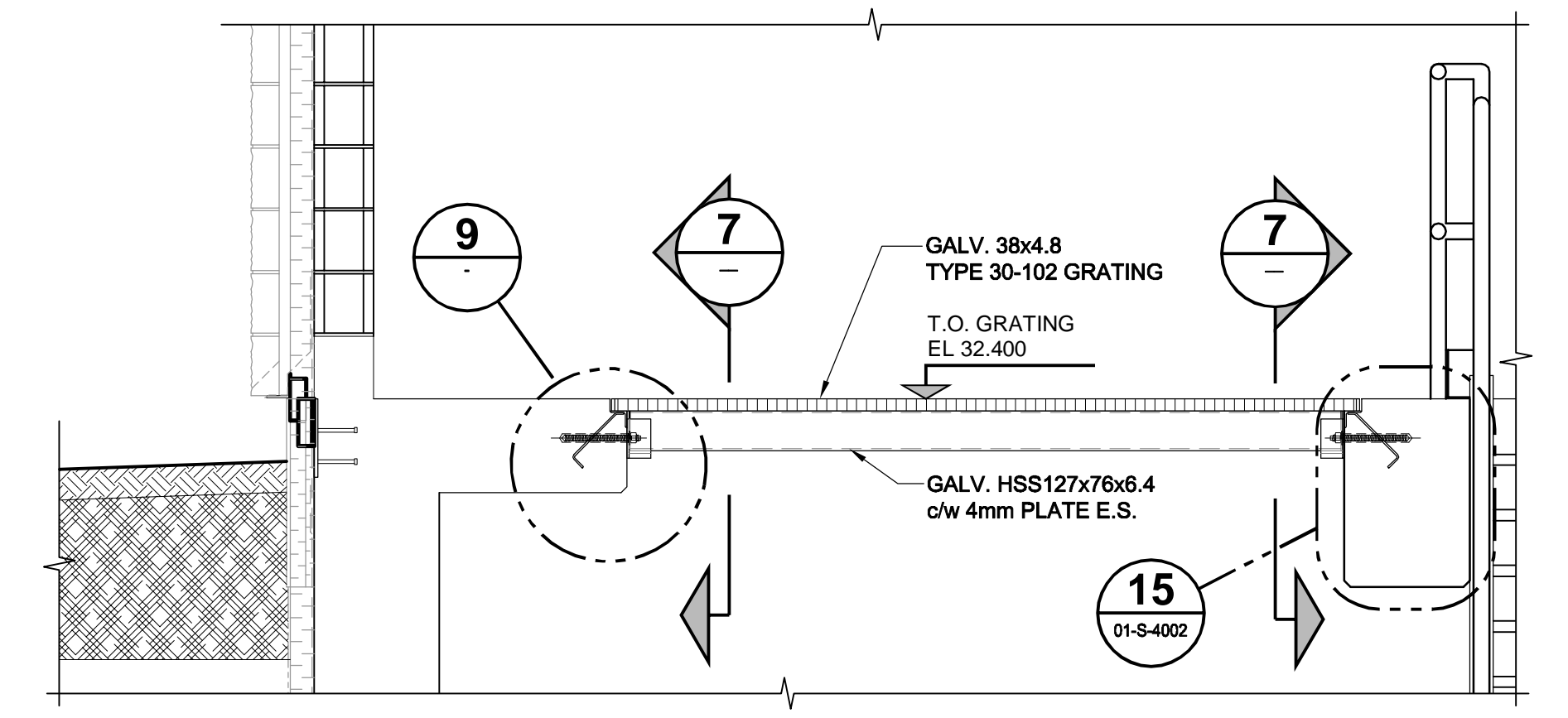


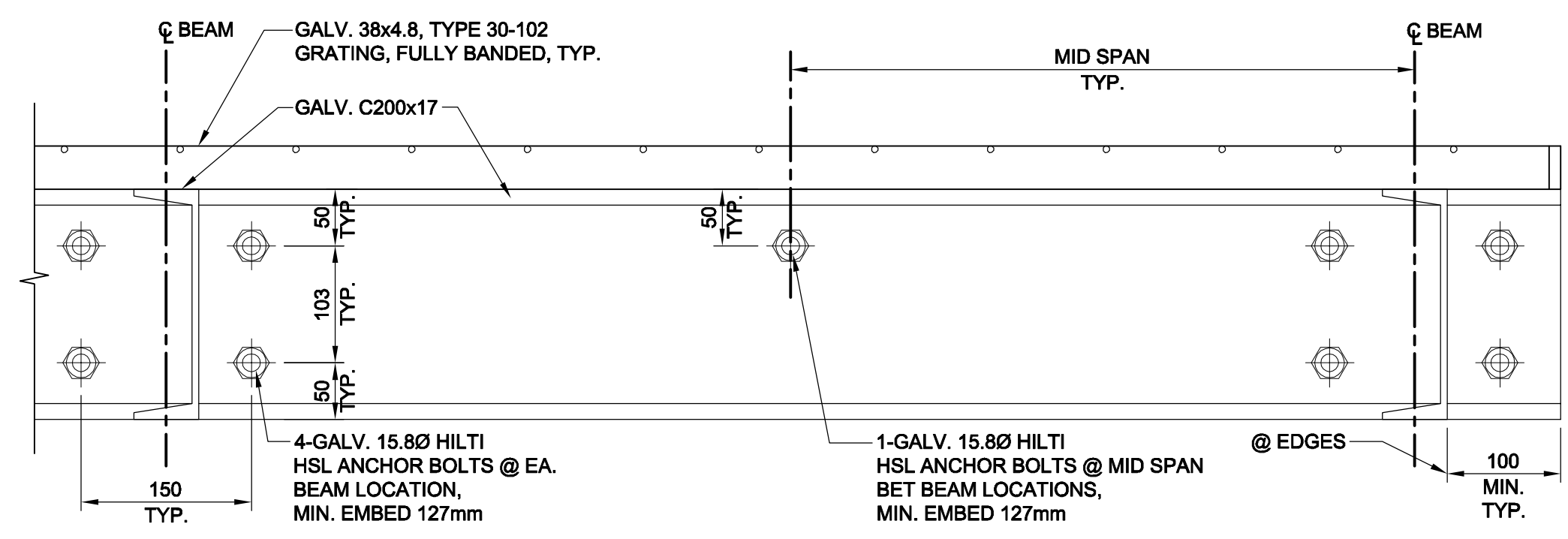
**DETAIL 1**  
D-11928  
SCALE 1:20



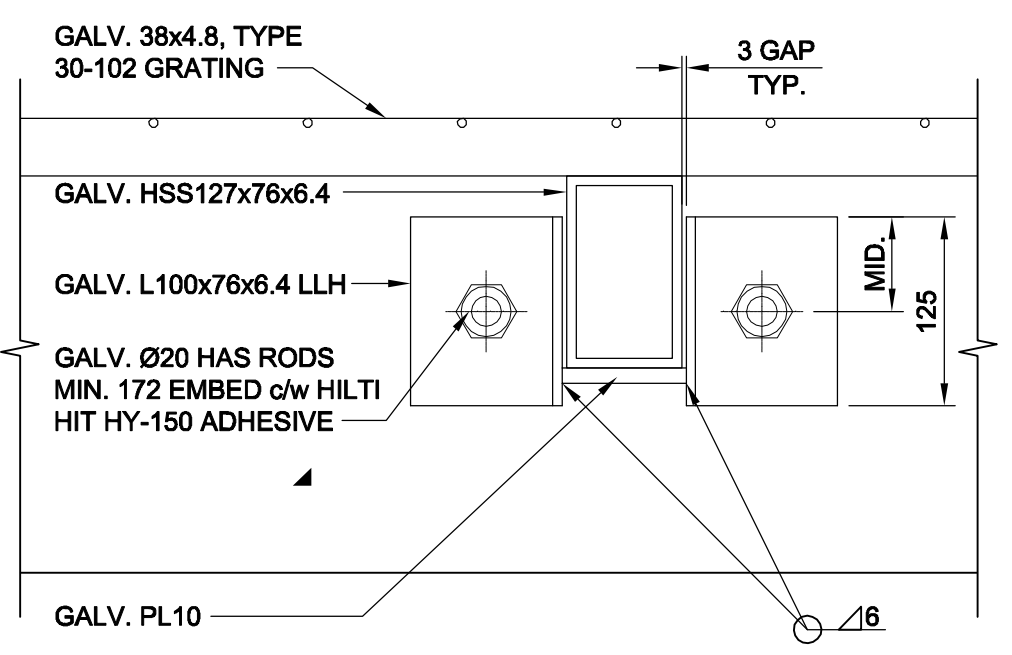
**DETAIL 2**  
D-11927  
SCALE 1:20



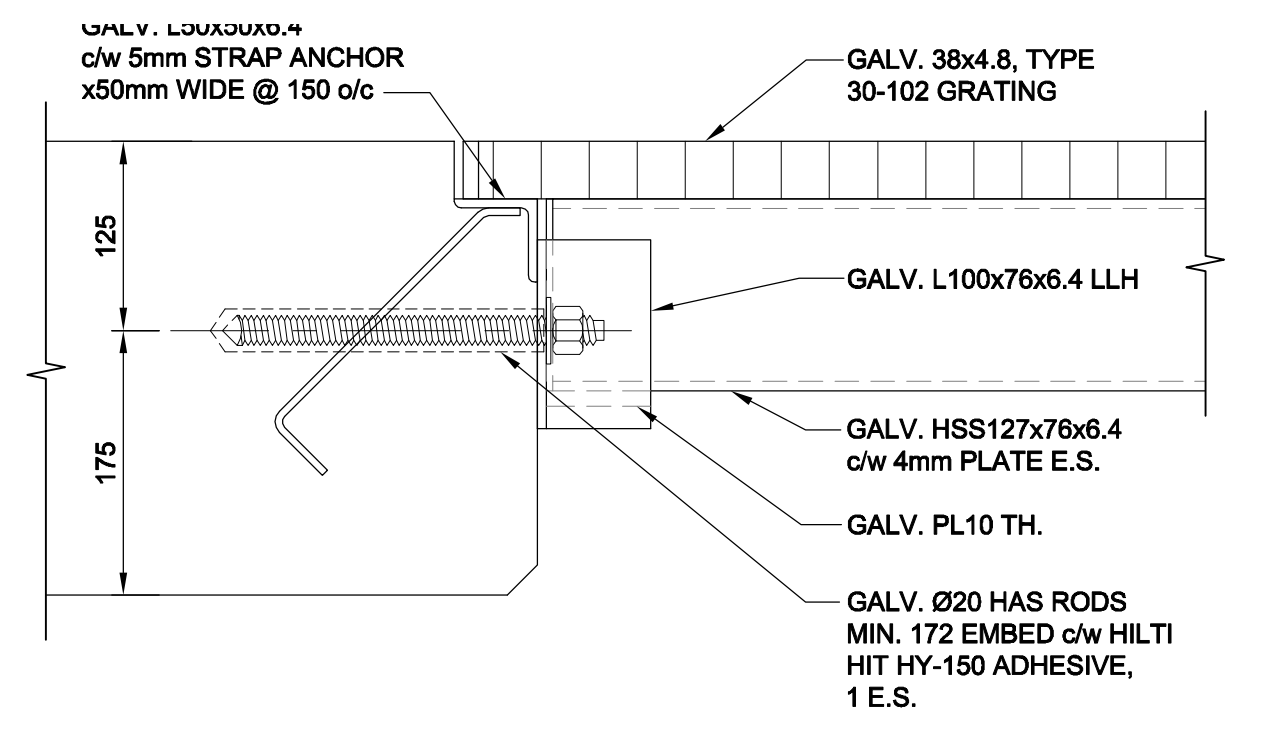
**DETAIL 3**  
D-11927  
SCALE 1:20



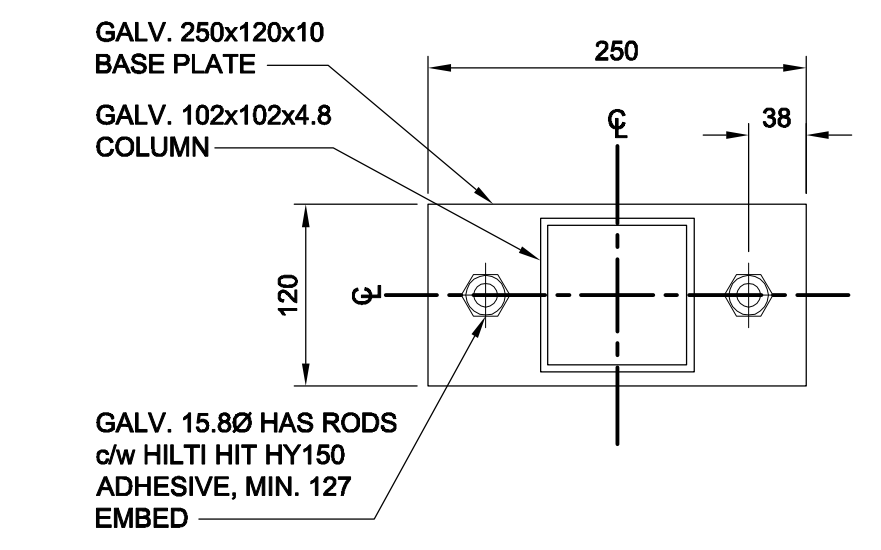
**DETAIL 4**  
SCALE 1:5



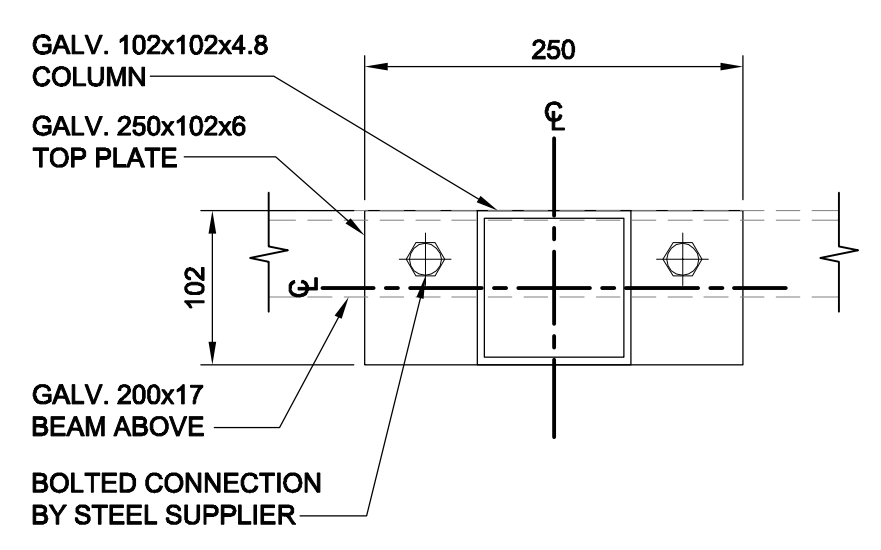
**DETAIL 7**  
D-11927  
SCALE 1:5



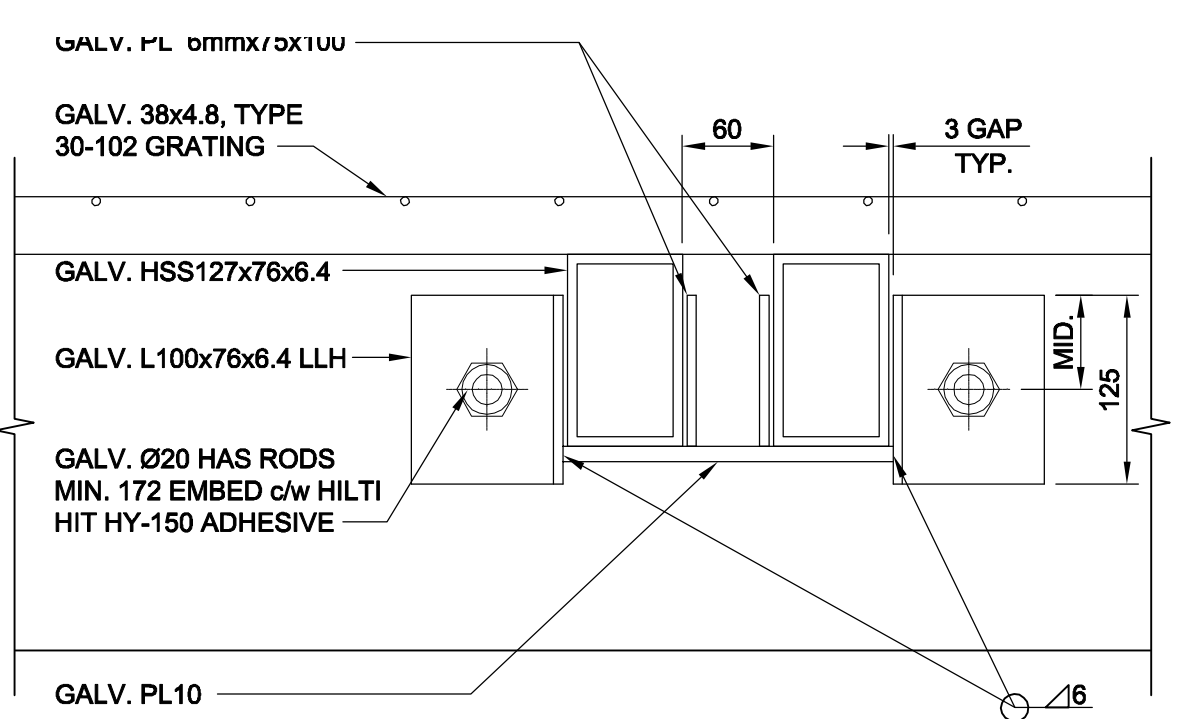
**DETAIL 9**  
SCALE 1:5



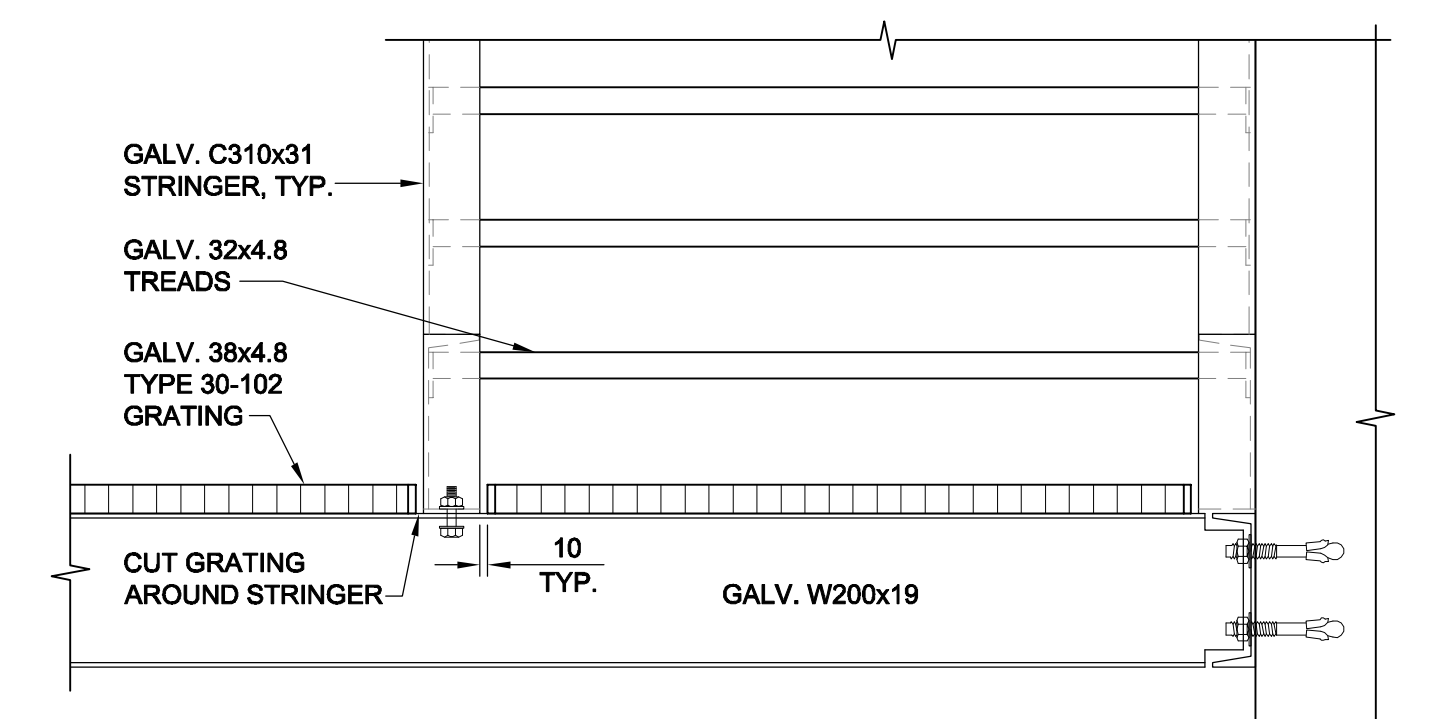
**DETAIL 5**  
SCALE 1:5



**DETAIL 6**  
SCALE 1:5



**DETAIL 8**  
D-11927  
SCALE 1:5



**DETAIL 10**  
D-11923  
SCALE 1:10

**LOCATION APPROVED UNDERGROUND STRUCTURES**

SUPR. U/G STRUCTURES COMMITTEE DATE

**NOTE:** LOCATION OF UNDERGROUND STRUCTURES AS SHOWN ARE BASED ON THE BEST INFORMATION AVAILABLE. BUT NO GUARANTEE IS GIVEN THAT ALL EXISTING UTILITIES ARE SHOWN OR THAT THE GIVEN LOCATIONS ARE EXACT. CONFIRMATION OF EXISTENCE AND EXACT LOCATION OF ALL SERVICES MUST BE OBTAINED FROM THE INDIVIDUAL UTILITIES BEFORE PROCEEDING WITH CONSTRUCTION.

NO.	REVISIONS	DATE	BY
0	ISSUED FOR CONSTRUCTION	10/02/08	KK

<b>AECOM</b>		This drawing has been prepared for the use of AECOM's client and may not be used, reproduced or relied upon by third parties, except as agreed by AECOM and its client, as required by law or for use by governmental reviewing agencies. AECOM accepts no responsibility, and denies any liability whatsoever, to any party that modifies this drawing without AECOM's express written consent. Do not scale this document. All measurements must be obtained from stated dimensions.	
DESIGNED BY	KK/GGP	CHECKED BY	GGP
DRAWN BY	KK	APPROVED BY	Bryan Weber
HOR. SCALE	AS SHOWN	RELEASED FOR CONSTRUCTION	KZ
VERT. SCALE	-	DATE	FEB. 9/10

PROFESSIONAL'S SEAL

ORIGINAL SIGNED BY

B.F. ABDUL WAHID

2010/02/08

CONSULTANT DRAWING NO.

D265-250-00\_01-S-4001\_RX.dwg

BID OPPORTUNITY NO. 16-2010

**THE CITY OF WINNIPEG WATER AND WASTE DEPARTMENT**

Winnipeg

**BRANCH I AQUEDUCT VALVE CHAMBER AT McPHILLIPS STREET PUMPING STATION**

STRUCTURAL DETAILS

SHEET 19 OF 28

CITY DRAWING NUMBER

REV D-11929 0

