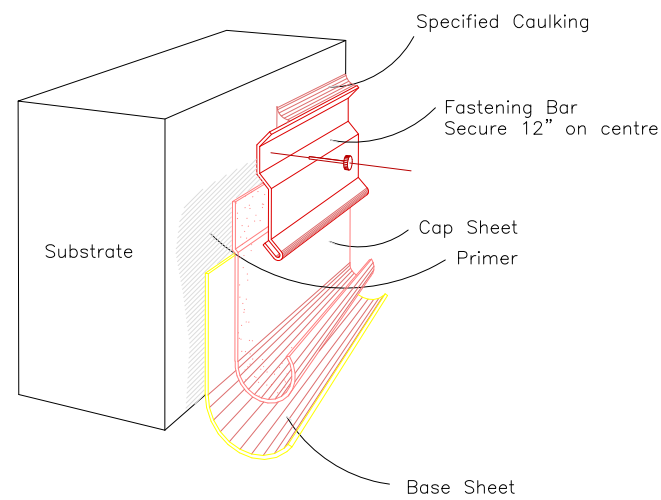
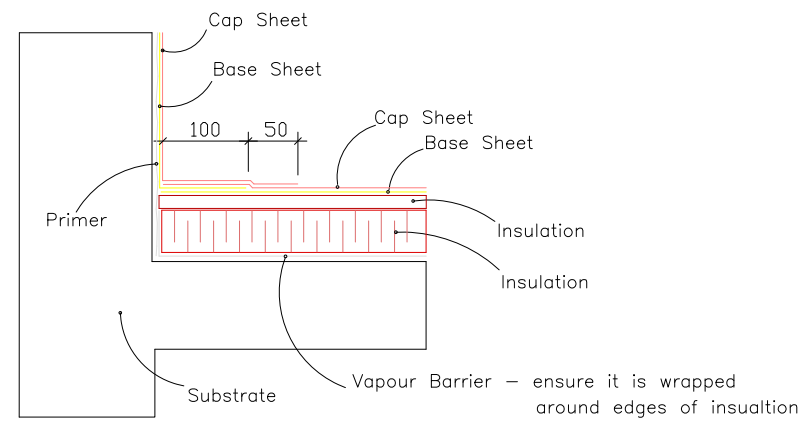


Typical Fastening Bar

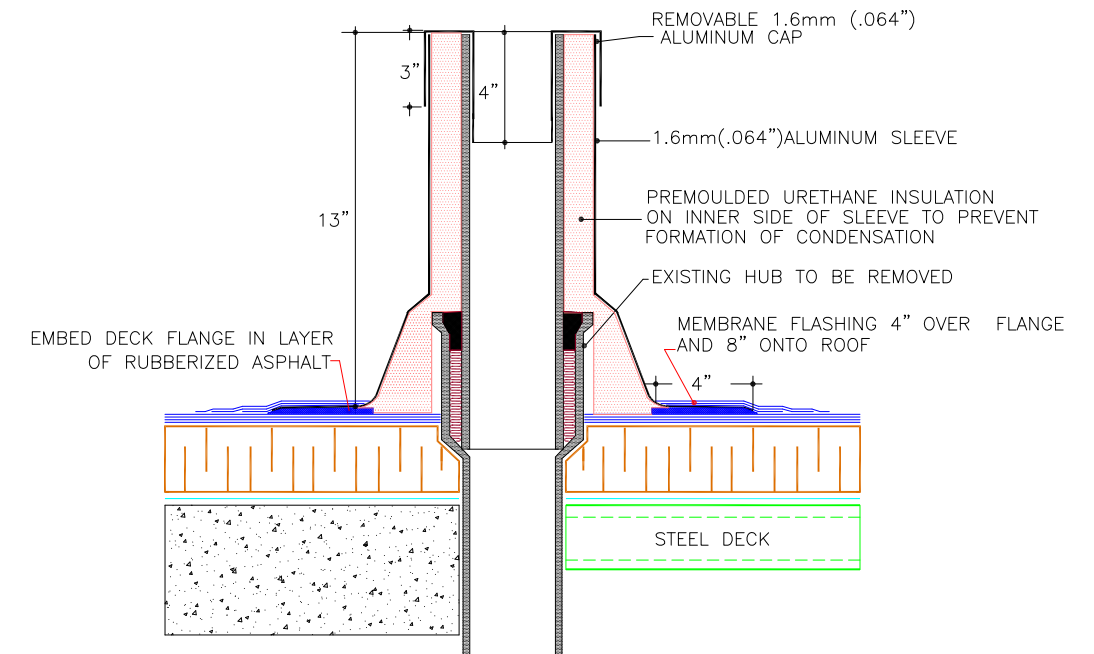


Typical Roof Edge Detail



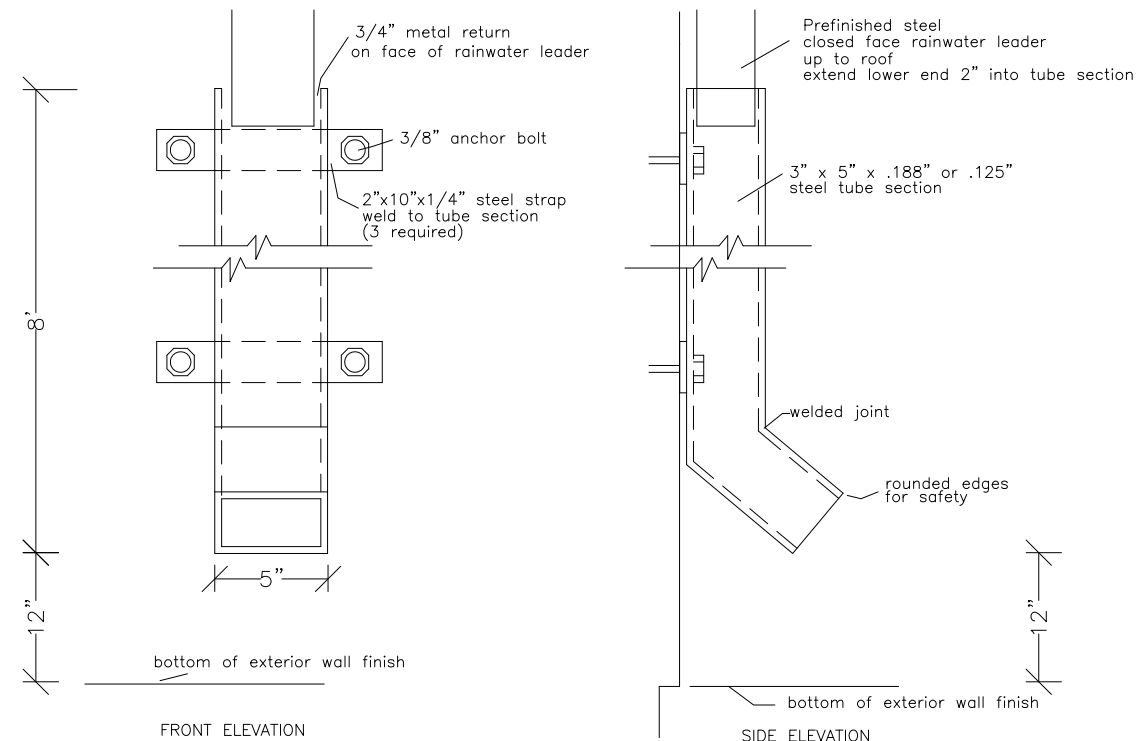
Note: Modified Bitumen stripping used in conjunction with 4 ply felt membrane is to have base sheet extend 12" onto flat and cap sheet 18" onto flat.

Plumbing Vent Flashing



SJ-20 ALUMINUM STACK JACK (13") HIGH

Structural Down Pipes



AGASSIZ CONSULTING GROUP

809 Pipeline Road, Winnipeg, Manitoba
Phone: 697-8091 Fax: 697-8039

Project: East Kildonan Senior Center
180 Poplar Avenue
Winnipeg, MB

Date: March 3, 2010

Drawing No. D-1

File no: 3300-10 Scale: N.T.S.