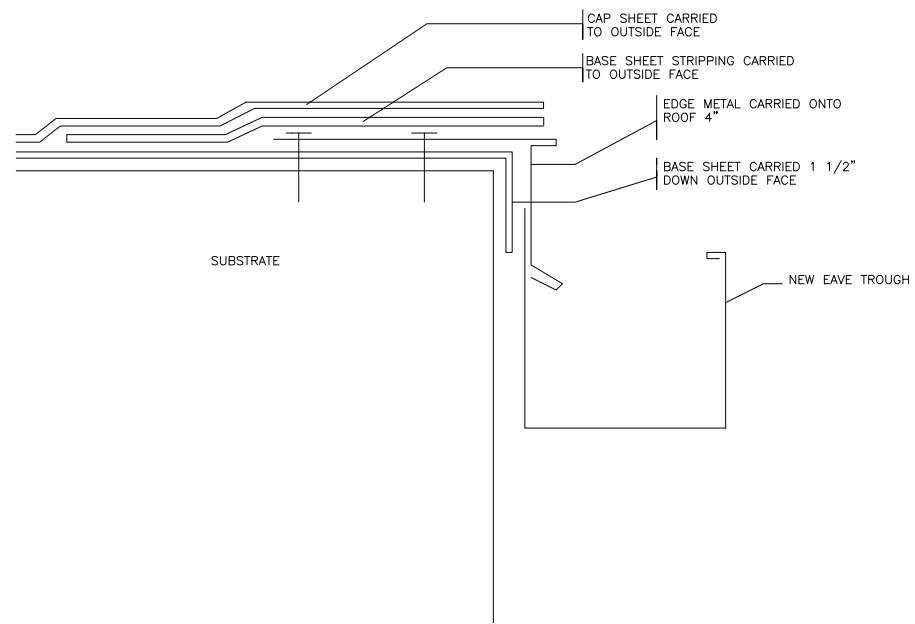
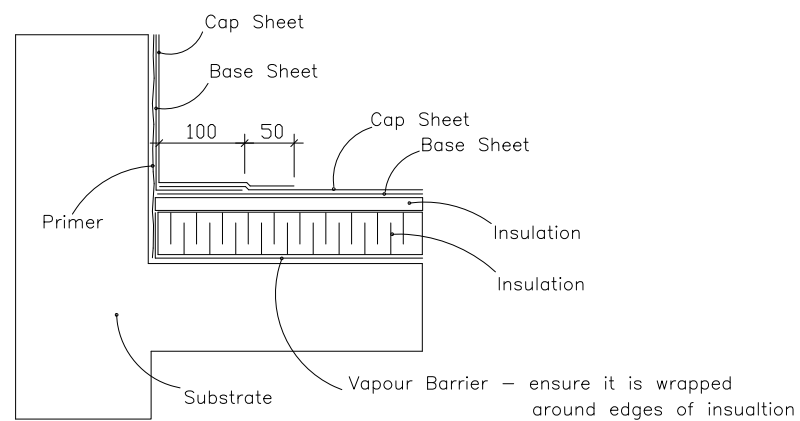


DRIP EDGE DETAIL

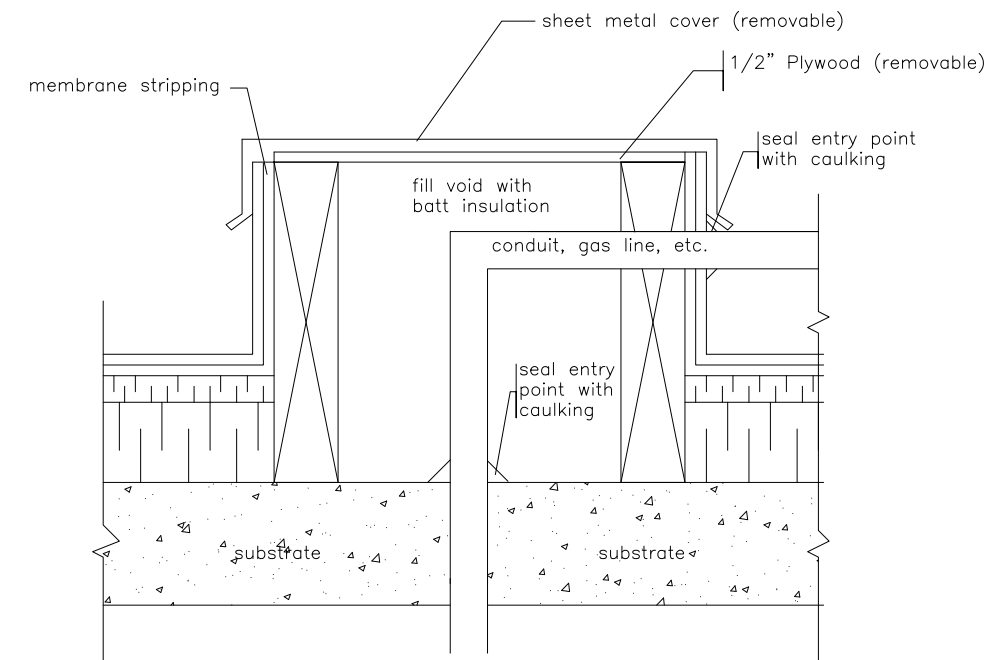


Typical Roof Edge Detail



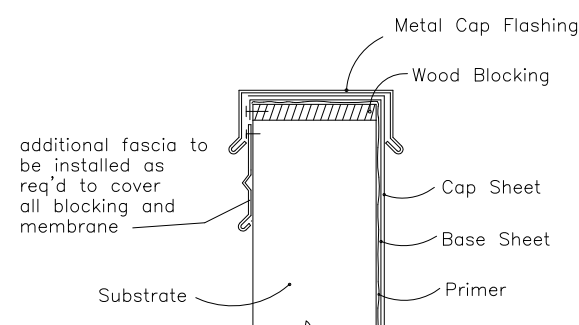
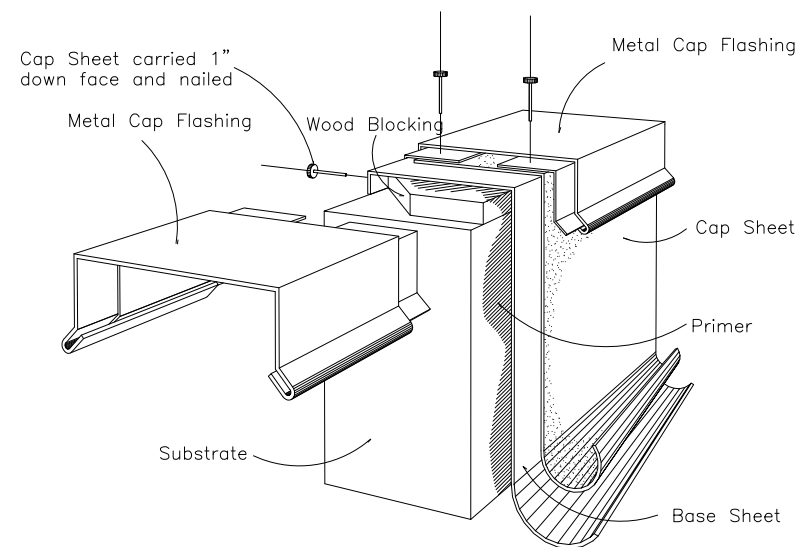
Note: Modified Bitumen stripping used in conjunction with 4 ply felt membrane is to have base sheet extend 12" onto flat and cap sheet 18" onto flat.

Typical Curb Style Pitch Box

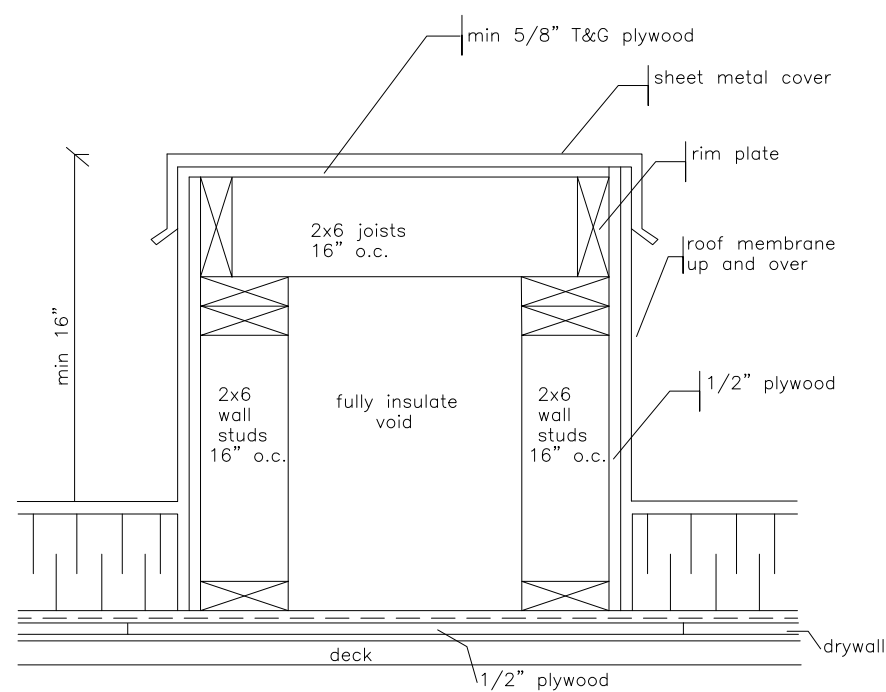


Note: vapour barrier is to be carried under curb

Typical Parapet Cap



Covered Mechanical Curb



AGASSIZ CONSULTING GROUP	
809 Pipeline Road, Winnipeg, Manitoba Phone: 697-8091 Fax: 697-8039	
Project:	Norberry Community Club 26 Molgate Winnipeg, MB
Date:	March 9, 2010
Drawing No.	D-1
File no:	3345-10
Scale:	N.T.S.