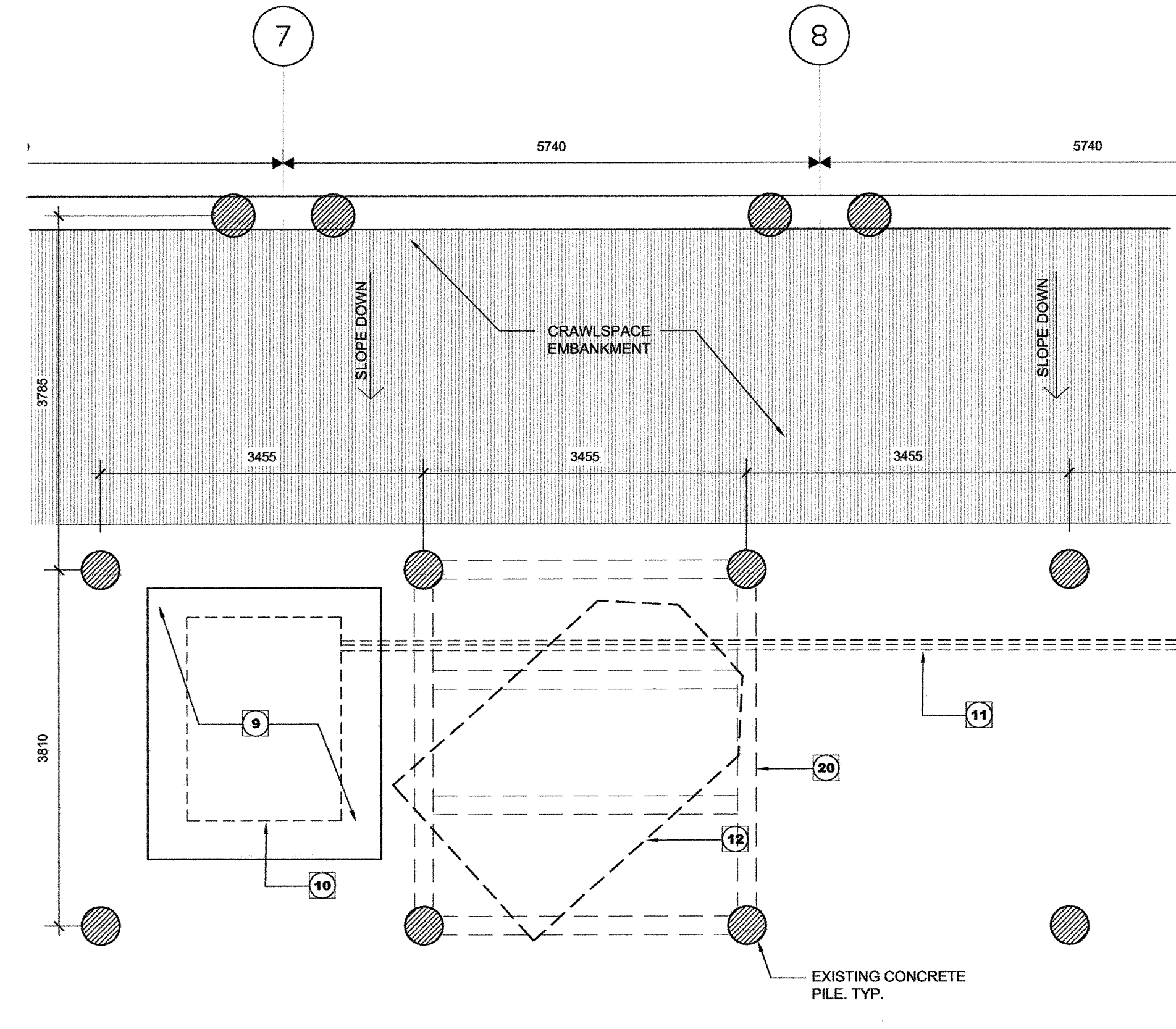
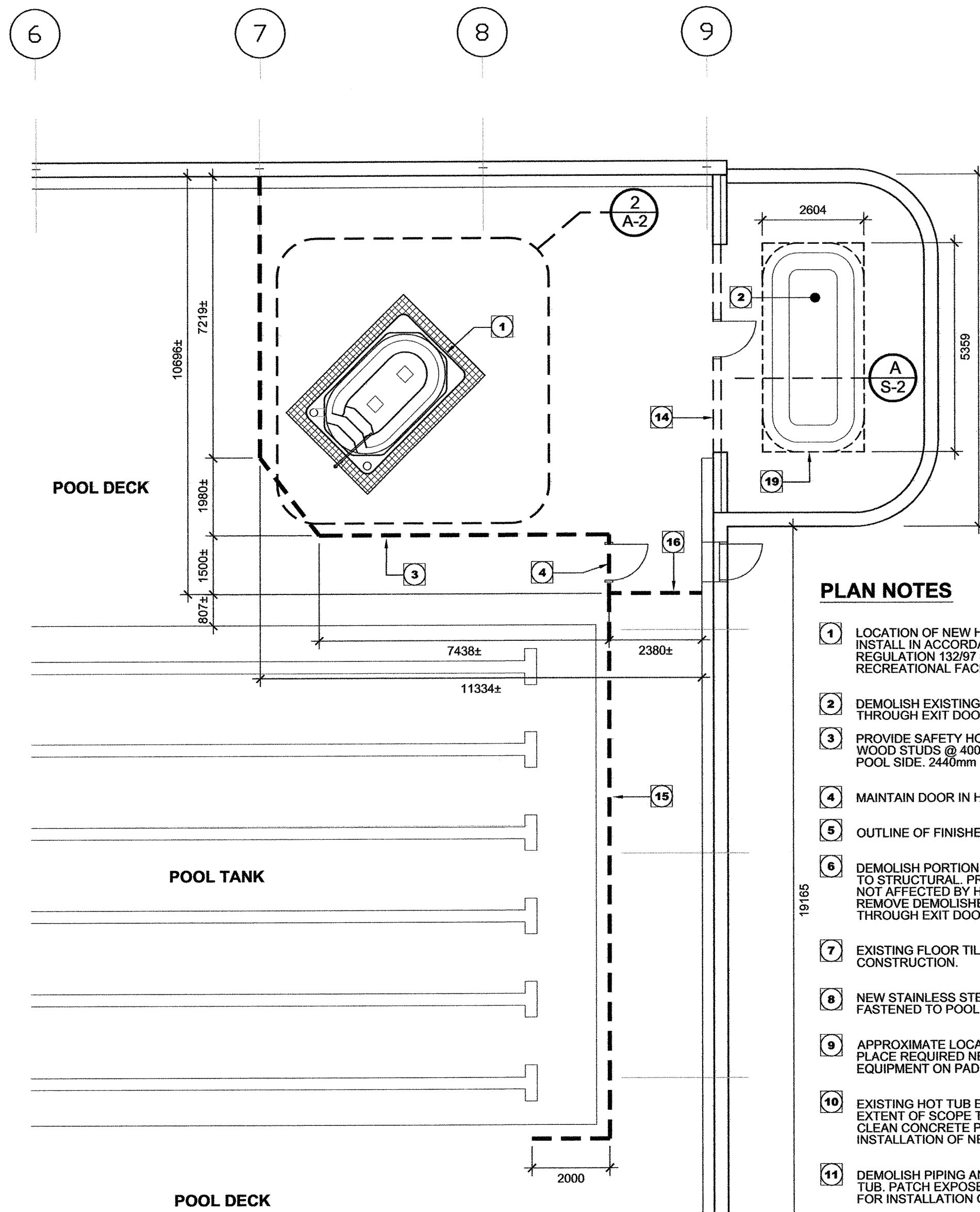


2 ENLARGED PARTIAL FLOOR PLAN
 A-2 Scale 1:50

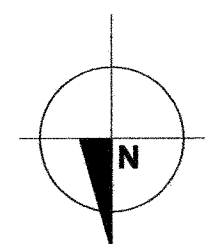


3 ENLARGED PARTIAL CRAWLSPACE PLAN
 A-2 Scale 1:50



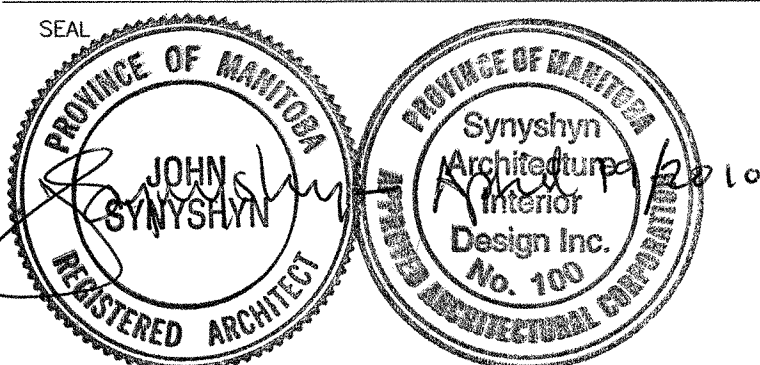
PLAN NOTES

- 1 LOCATION OF NEW HOT TUB, CENTERED ON PILES BELOW. INSTALL IN ACCORDANCE TO THE PUBLIC HEALTH ACT REGULATION 132/97 SWIMMING POOLS AND OTHER WATER RECREATIONAL FACILITIES.
- 2 DEMOLISH EXISTING HOT TUB. REMOVE IN SECTIONS TO FIT THROUGH EXIT DOOR.
- 3 PROVIDE SAFETY HOARDING FOR DURATION OF WORK. P.T. WOOD STUDS @ 400 O.C. WITH 12mm PAINTED PLYWOOD TO POOL SIDE. 2440mm HIGH.
- 4 MAINTAIN DOOR IN HOARDING FOR PUBLIC ACCESS TO EXIT.
- 5 OUTLINE OF FINISHED HOT TUB.
- 6 DEMOLISH PORTION OF POOL DECK AS INDICATED. REFER TO STRUCTURAL. PROTECT ADJACENT FLOOR TILE THAT IS NOT AFFECTED BY HOT TUB INSTALLATION. REMOVE DEMOLISHED MATERIALS IN SECTIONS TO FIT THROUGH EXIT DOOR.
- 7 EXISTING FLOOR TILE TO REMAIN. PROTECT DURING CONSTRUCTION.
- 8 NEW STAINLESS STEEL HAND RAIL. MECHANICALLY FASTENED TO POOL DECK. REFER TO DETAIL 6/A-2.
- 9 APPROXIMATE LOCATION OF EXISTING CONCRETE PAD. PLACE REQUIRED NEW MECHANICAL AND ELECTRICAL EQUIPMENT ON PAD. CONNECT TO HOT TUB.
- 10 EXISTING HOT TUB EQUIPMENT TO BE DEMOLISHED. EXTENT OF SCOPE TO BE CONFIRMED ON SITE. PATCH, CLEAN CONCRETE PAD AND LEAVE READY FOR INSTALLATION OF NEW EQUIPMENT.
- 11 DEMOLISH PIPING AND CONNECTIONS TO EXISTING HOT TUB. PATCH EXPOSED OPENINGS AND LEAVE SPACE CLEAN FOR INSTALLATION OF NEW PIPING.
- 12 OUTLINE OF CONCRETE TO BE DEMOLISHED ABOVE.
- 13 MOVE HOT TUB INTO POOL DECK AREA THROUGH CLERESTORY WINDOW. REFER TO A-1. PROTECT ROOF AND AFFECTED EQUIPMENT.
- 14 REMOVE PORTION OF GIBBETUD WALL AS NECESSARY FOR DEMOLITION OF EXISTING HOT TUB. REPLACE AND LEAVE IN AS GOOD OR BETTER CONDITION.
- 15 PROVIDE ADEQUATE SAFETY BARRICADE IN ACCORDANCE WITH WORK PLACE HEALTH AND SAFETY GUIDELINES ALONG POOL TANK DURING MOVE OF HOT TUB ONLY.
- 16 PLACE HOARDING TO BLOCK ACCESS TO WORK SITE FOLLOWING REMOVAL OF BARRICADE ALONG POOL TANK. ONCE HOT TUB HAS BEEN PLACED.
- 17 REMOVE FLOOR TILE TO EXTENTS INDICATED. PROTECT ADJACENT EXISTING TILE TO REMAIN.
- 18 NEW CONTRASTING FLOOR TILE AROUND PERIMETER OF NEW HOT TUB - 305 WIDE. HEIGHT TO MATCH EXISTING.
- 19 REMOVE FLOOR TILE TO EXTENT INDICATED. PROTECT ADJACENT FLOOR FINISH DURING DEMOLITION. POUR NEW CONCRETE FLOOR SLAB TO BE FLUSH WITH EXISTING CONCRETE - REFER TO STRUCTURAL. FINISH FLOOR WITH NEW TILE - HEIGHT TO MATCH EXISTING.
- 20 NEW CONCRETE SLAB AND STEEL STRUCTURE FOR HOT TUB. REFER TO STRUCTURAL.



ISSUED FOR

2. TENDER APRIL 19, 2010
 1. OWNER REVIEW MARCH 31, 2010



ARCHITECT / PRIME CONSULTANT
SYNYSHYN ARCHITECTURE
 ARCHITECTURE PLANNING INTERIOR DESIGN
 INTERIOR DESIGN FACILITY MANAGEMENT PRESENTATIONS
 403-43 ALBERT STREET WINNIPEG MANITOBA CANADA R2B 1G4
 TELEPHONE 947-1100 FACSIMILE 956-5742

ENGINEERING CONSULTANT

ENGINEERING CONSULTANT

BID OPPORTUNITY NO. 214-2010

PROJECT TITLE
 CITY OF WINNIPEG
 PUBLIC WORKS DEPARTMENT
BONI VITAL POOL
 HOT TUB INSTALLATION

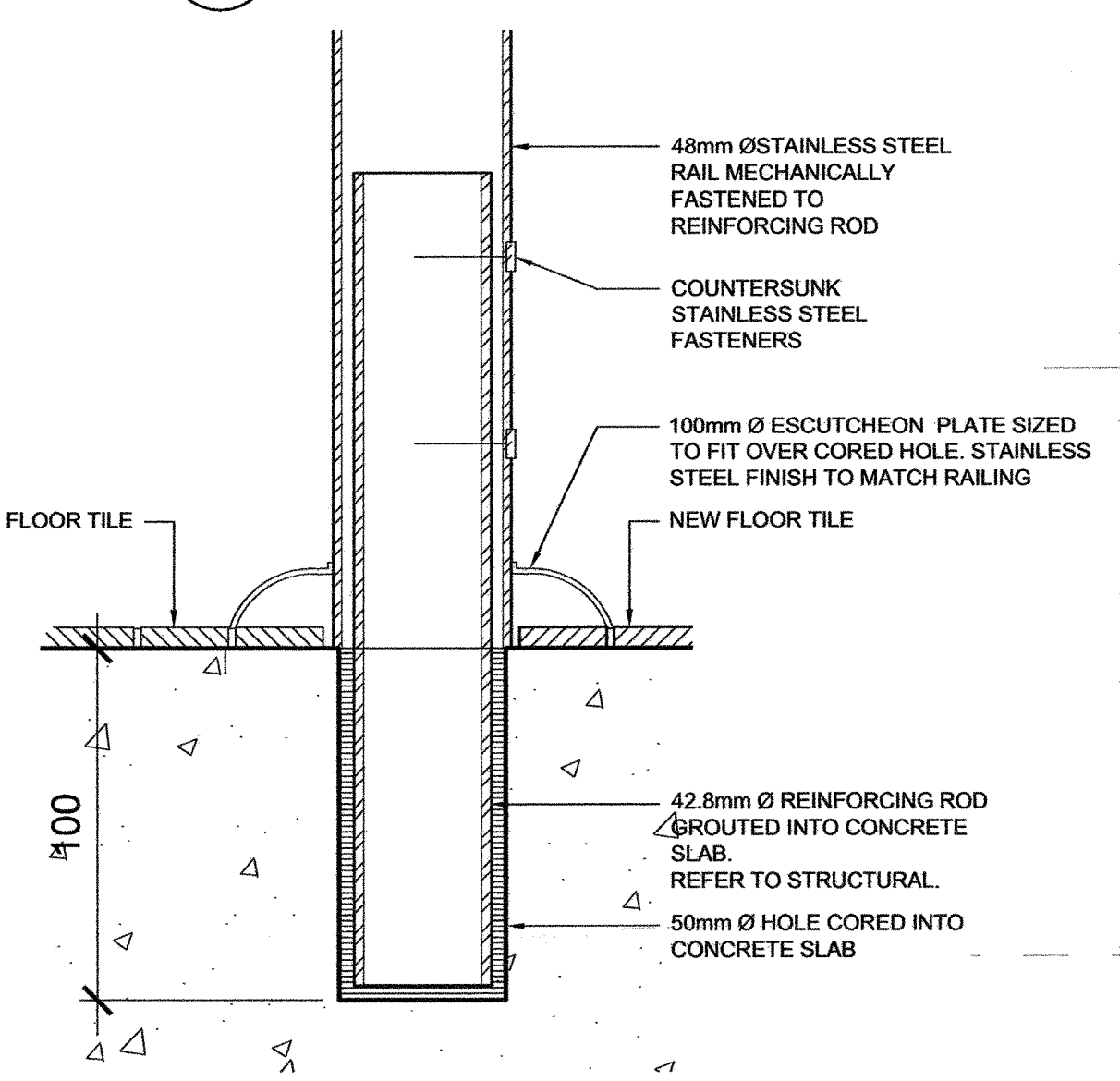
DRAWING TITLE

PLANS, SECTIONS & DETAILS

DESIGNED BY AD/JS DRAWN BY JH/AD

ISSUE DATE 04/19/10 REVISION No.

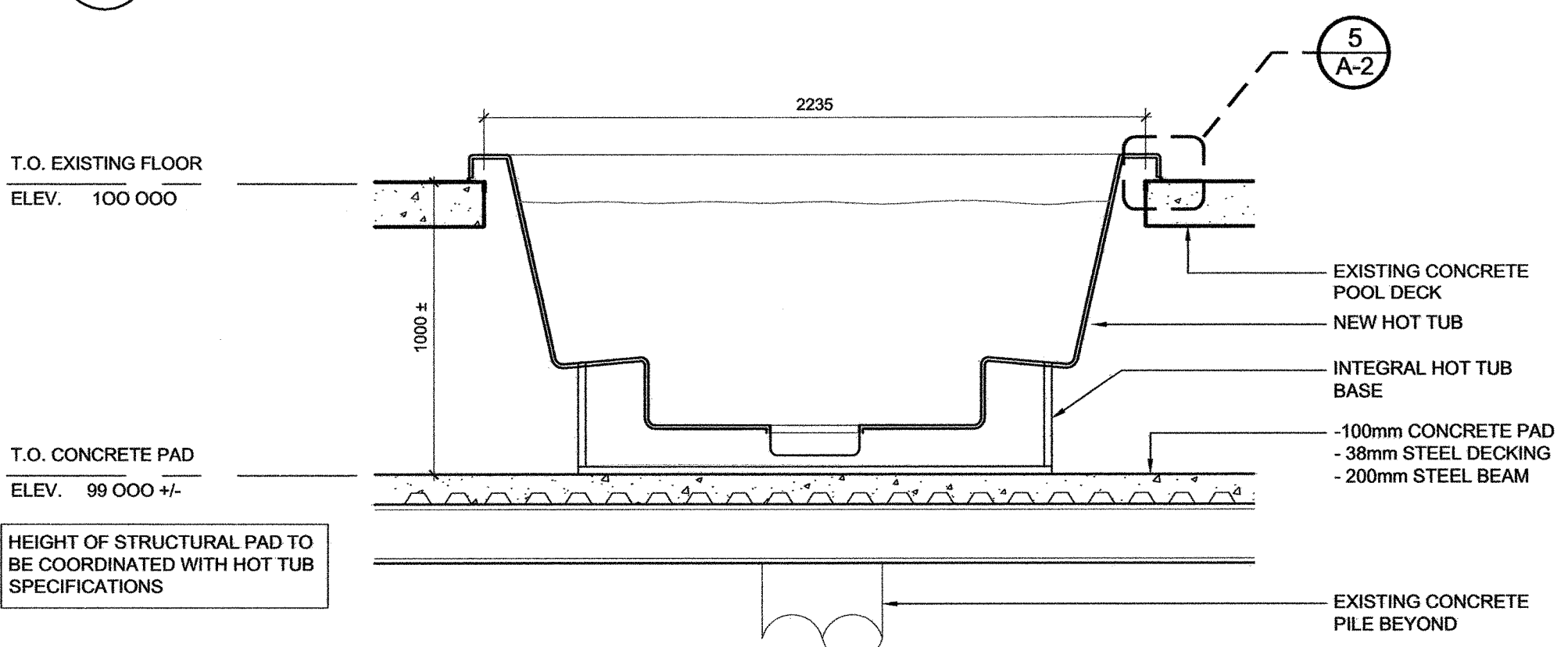
PROJECT No. 82510 DRAWING No. **A-2**



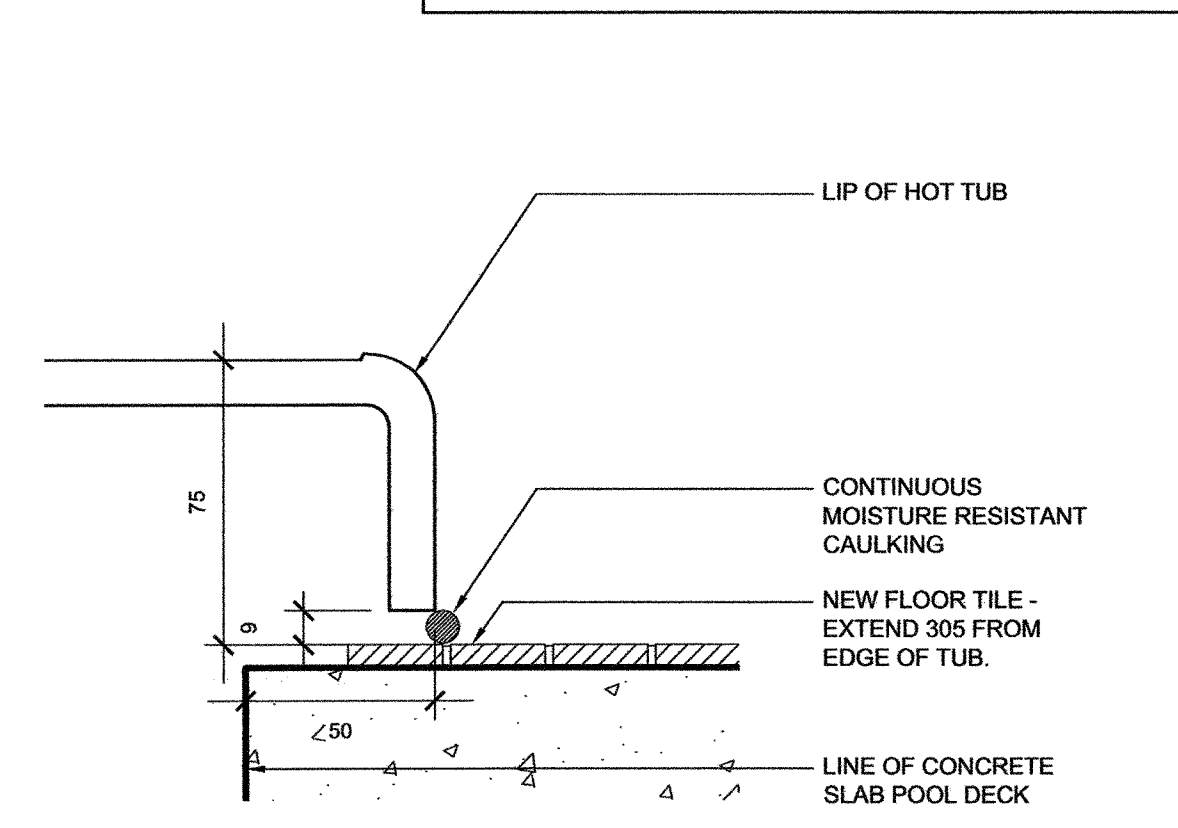
7 RAILING SUPPORT DETAIL
 A-2 Scale 1:2



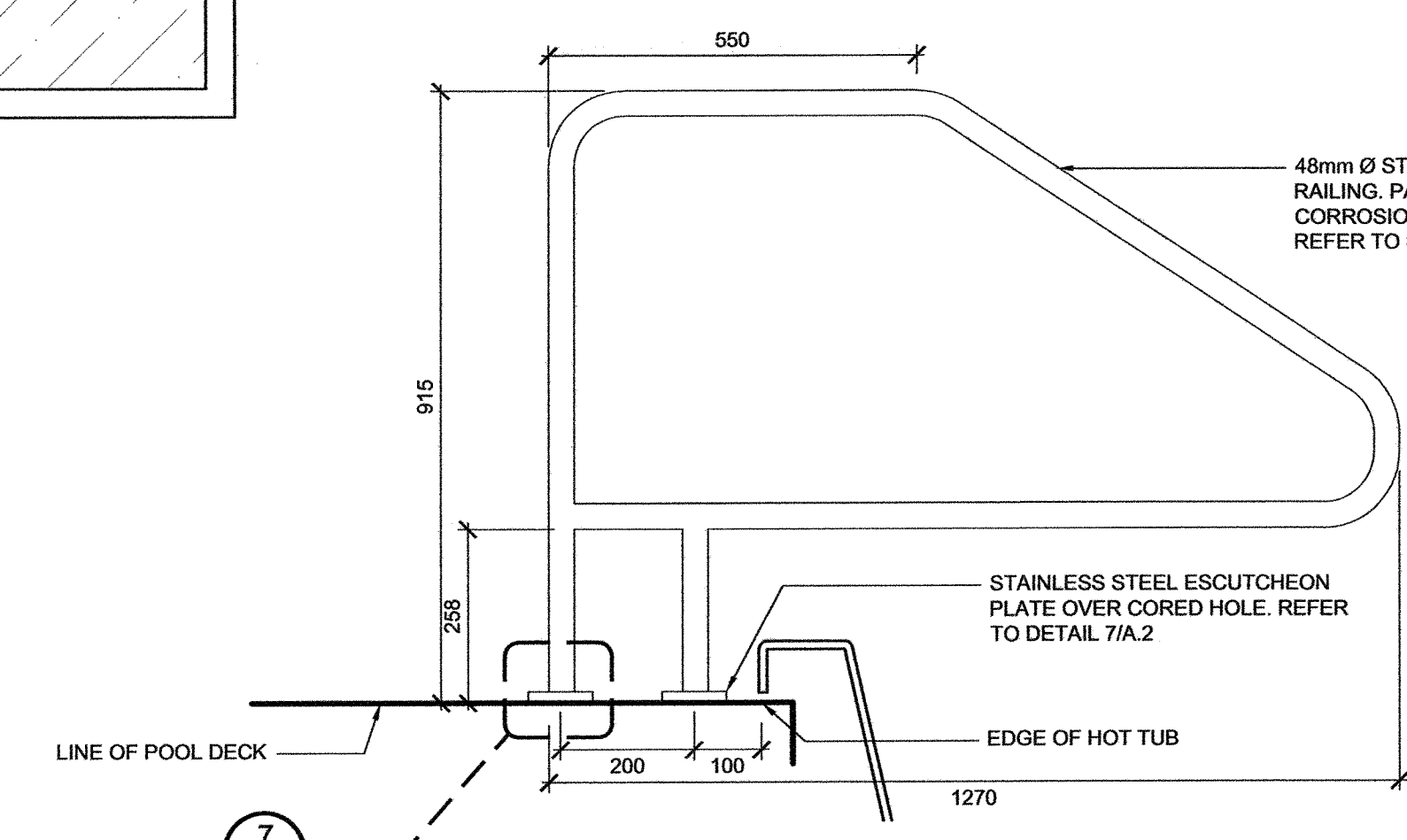
1 FLOOR / ROOF PLAN
 A-2 Scale 1:100



4 HOT TUB SECTION
 A-2 Scale 1:2



5 HOT TUB EDGE DETAIL
 A-2 Scale 1:2



6 RAILING DETAIL
 A-2 Scale 1:10