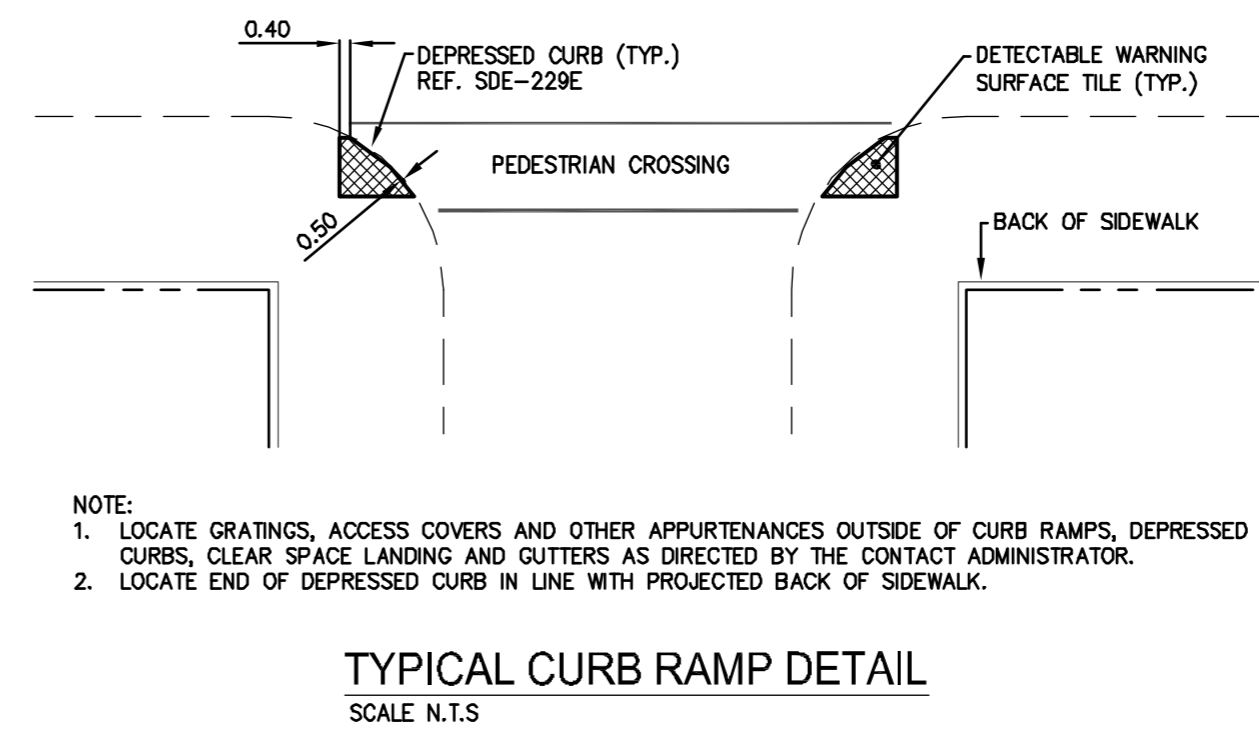
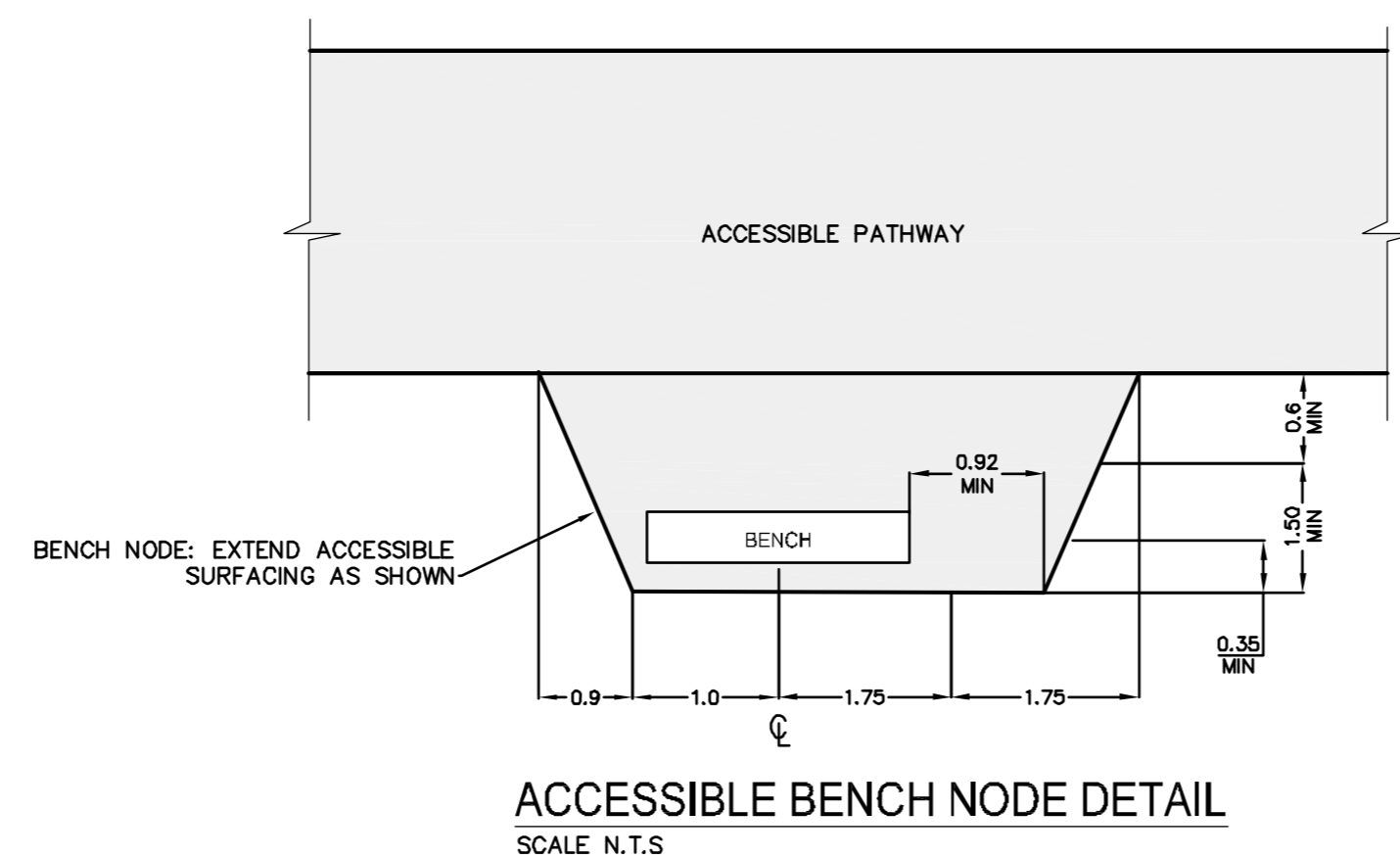
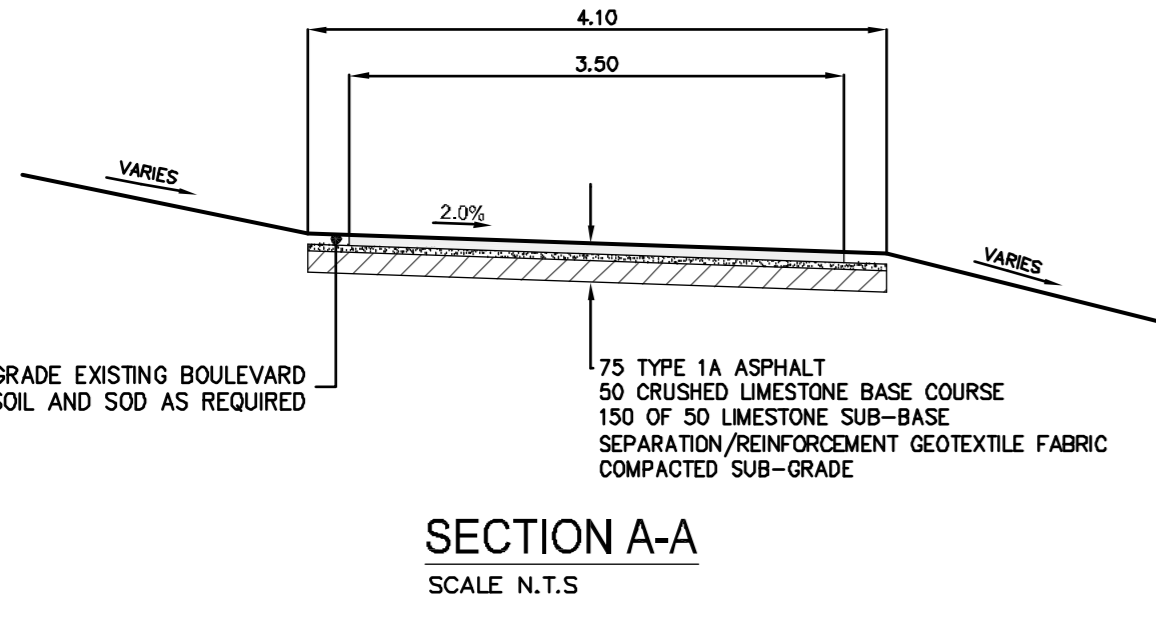


Apr 09, 2010 - 2:56pm
 P:\5509128-5509128-000 Bicycle Pedestrian Multi-Use Pathway - Waverley to McGillivray\MMW DWG'S\Route 90 Pathway Proposed - Alignment Apr 7_10.dwg - tab C-01 1+000 TO 1+360

- NOTES:**
- ALL WORK AND MATERIALS TO BE IN ACCORDANCE WITH THE LATEST REVISIONS OF THE CITY OF WINNIPEG STANDARD CONSTRUCTION SPECIFICATIONS.
 - CONTRACTOR TO VERIFY DEPTH OF UTILITIES PRIOR TO CONSTRUCTION.
 - LOCATION OF UNDERGROUND STRUCTURES AS SHOWN ARE BASED ON THE BEST INFORMATION AVAILABLE, BUT NO GUARANTEE IS GIVEN THAT ALL EXISTING UTILITIES ARE SHOWN OR THAT THE GIVEN LOCATIONS ARE EXACT. CONFIRMATION OF EXISTENCE AND EXACT LOCATION OF ALL SERVICES MUST BE OBTAINED FROM THE INDIVIDUAL UTILITIES BEFORE PROCEEDING WITH CONSTRUCTION.
 - EXCAVATED MATERIAL TO BE USED AS BACKFILL WHERE REQUIRED.
 - ALL SURFACES TO BE MAINTAINED OR RESTORED TO PREVIOUS CONDITION OR BETTER.
 - REFER TO CITY OF WINNIPEG E-SPEC FOR INSTALLATION OF DETECTABLE WARNING SURFACE TILES (CONTACT BRUCE PETERS @ 986-5302 FOR FURTHER INFORMATION).



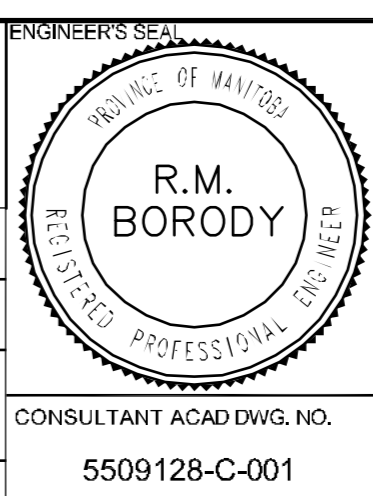
METRIC
WHOLE NUMBERS INDICATE MILLIMETERS
DECIMALIZED NUMBERS INDICATE METERS

EXISTING	LEGEND-PLAN	PROPOSED	EXISTING	LEGEND-PLAN	PROPOSED	EXISTING	LEGEND-PROFILE	PROPOSED
---	PROPERTY LINE	---	---	ROAD SHOULDER	---	---	EXISTING GROUND	---
○	MANHOLE	○	---	DITCH FLOW	---	---	PROPOSED CENTERLINE	---
□	CATCH BASIN	□	---		---	---		---
HP	HYDRO POLE	HP	---		---	---		---
↑	HYDRO POLE WITH LIGHT	↑	---		---	---		---
---	ELEVATION	---	---		---	---		---
---	CMP CULVERT	---	---		---	---		---
---	SWALE	---	---		---	---		---
---	HYDRANT	---	---		---	---		---
---	ASPHALT PAVEMENT	---	---		---	---		---
---	PATHWAY CENTRELINE	---	---		---	---		---

LOCATIONS APPROVED	NO.	DATE	BY
UNDERGROUND STRUCTURES			
SIGNED BY:			
SURV U/G STRUCTURES			
DATE			

NO.	REVISIONS	DATE	BY
4			
3			
2	ISSUED FOR TENDER	05.04.10	RMB
1	ISSUED FOR REVIEW	22.01.10	RMB

DESIGNED BY	CHECKED BY
MR	WJ
DRAWN BY	APPROVED BY
MR	
HOR. SCALE	RELEASED FOR CONSTRUCTION
1:500	
VERTICAL	DATE
1:25	22.01.10



MMW GROUP
 Suite 111 - 93 Lombard Ave.
 Winnipeg, MB R2S 3S1
 T: 204.943.3179
 F: 204.943.4948
 www.mmw.ca

CITY OF WINNIPEG
 PUBLIC WORKS DEPARTMENT
 TRANSPORTATION ENGINEERING DIVISION

2010 ACTIVE TRANSPORTATION PROGRAM
 BISHOP GRANDIN / KENASTON BLVD
 GREENWAY

WAVERLEY STREET TO MCGILLIVRAY BLVD
MULTI-USE PATHWAY
 STA. 1+000 TO 1+360

C-001

SHEET 1 OF 8