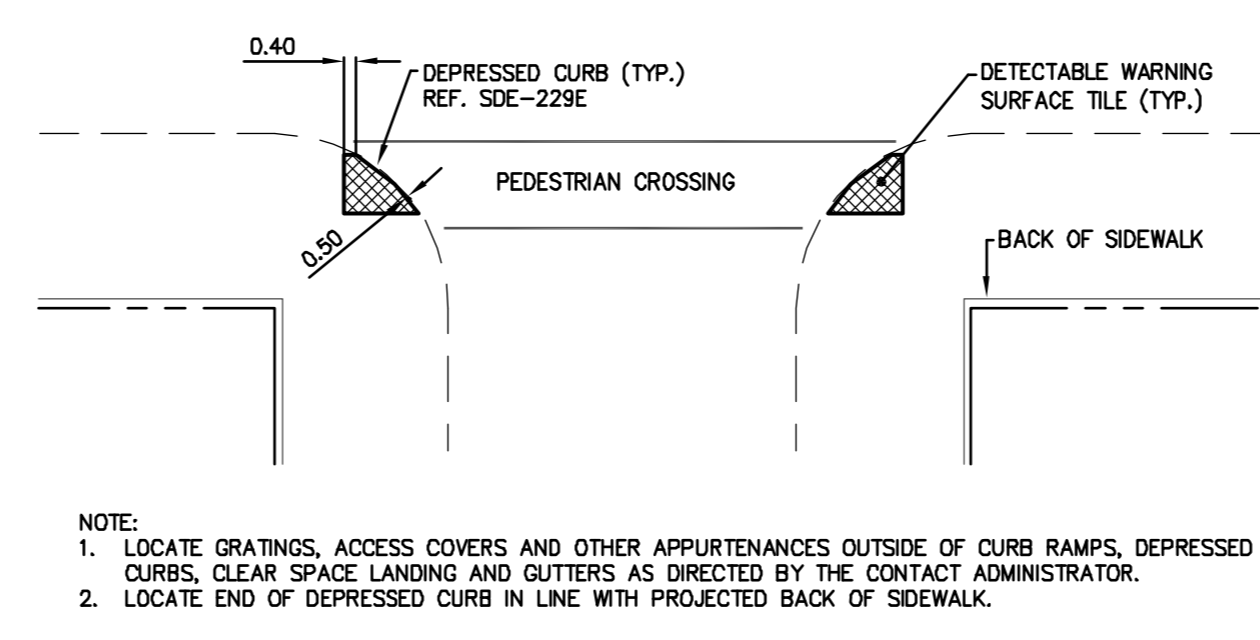
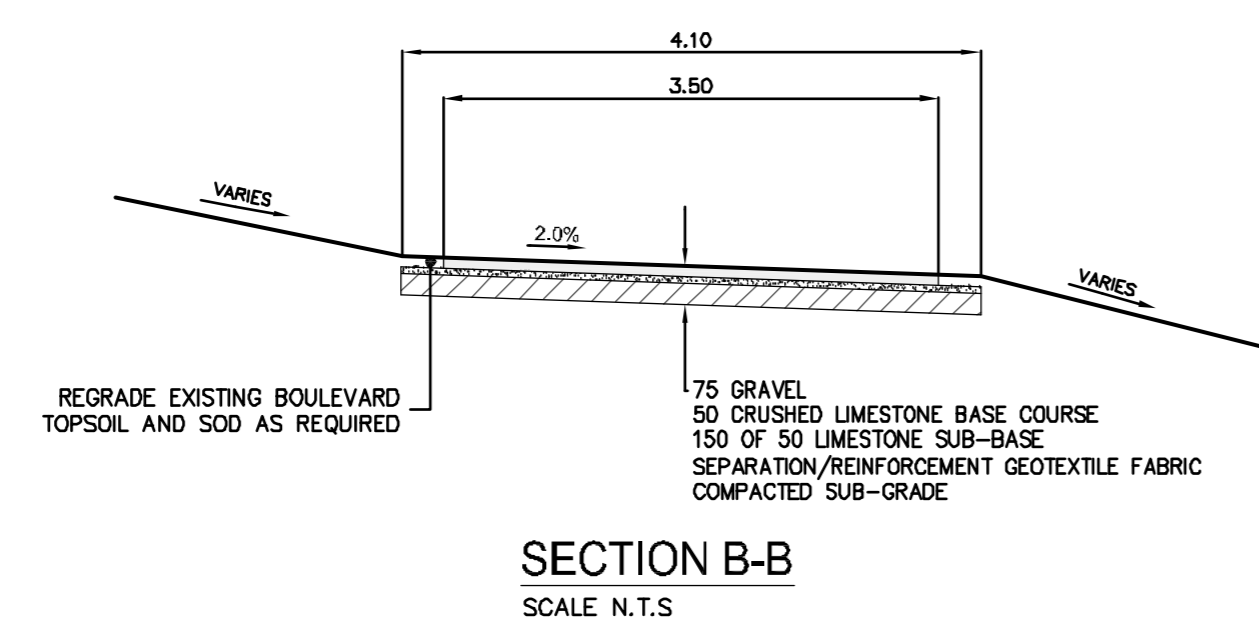


CAUTION:  
PEMBINA TRAILS SCHOOL DIVISION FIBRE OPTIC CABLE  
EXACT LOCATION UNKNOWN, CALL 489-8989

FUTURE KENASTON BOULEVARD  
EXTENSION LIMITS TO BE CONFIRMED. PATHWAY  
MODIFICATIONS ARE TO BE MADE WHEN DETAILS  
ARE FINALIZED.



- NOTE:
1. LOCATE GRATINGS, ACCESS COVERS AND OTHER APPURTENANCES OUTSIDE OF CURB RAMPS, DEPRESSED CURBS, CLEAR SPACE LANDING AND GUTTERS AS DIRECTED BY THE CONTACT ADMINISTRATOR.
  2. LOCATE END OF DEPRESSED CURB IN LINE WITH PROJECTED BACK OF SIDEWALK.

- NOTES:
1. ALL WORK AND MATERIALS TO BE IN ACCORDANCE WITH THE LATEST REVISIONS OF THE CITY OF WINNIPEG STANDARD CONSTRUCTION SPECIFICATIONS.
  2. CONTRACTOR TO VERIFY DEPTH OF UTILITIES PRIOR TO CONSTRUCTION.
  3. LOCATION OF UNDERGROUND STRUCTURES AS SHOWN ARE BASED ON THE BEST INFORMATION AVAILABLE, BUT NO GUARANTEE IS GIVEN THAT ALL EXISTING UTILITIES ARE SHOWN OR THAT THE GIVEN LOCATIONS ARE EXACT. CONFIRMATION OF EXISTENCE AND EXACT LOCATION OF ALL SERVICES MUST BE OBTAINED FROM THE INDIVIDUAL UTILITIES BEFORE PROCEEDING WITH CONSTRUCTION.
  4. EXCAVATED MATERIAL TO BE USED AS BACKFILL WHERE REQUIRED.
  5. ALL SURFACES TO BE MAINTAINED OR RESTORED TO PREVIOUS CONDITION OR BETTER.
  6. REFER TO CITY OF WINNIPEG E-SPEC FOR INSTALLATION OF DETECTABLE WARNING SURFACE TILES (CONTACT BRUCE PETERS @ 986-5302 FOR FURTHER INFORMATION).



METRIC  
WHOLE NUMBERS INDICATE MILLIMETERS  
DECIMALIZED NUMBERS INDICATE METERS

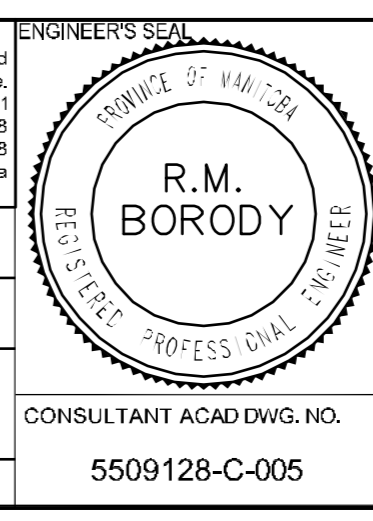
Apr 08, 2010 - 1:02pm  
P:\5509128-C-005\990128-C-004\Bishop Grandin Multi-Use Pathway - Waverley to McGivrey\MMM DWG\Rev 00 Pathway Process Alignment Apr 7\_10.dwg - lbc-C-05\_2+435 TO 2+795

EXISTING	PROPERTY LINE	PROPOSED	EXISTING	ROAD SHOULDER	PROPOSED	EXISTING	EXISTING GROUND	PROPOSED
---	PROPERTY LINE	---	---	ROAD SHOULDER	---	---	EXISTING GROUND	---
○	MANHOLE	○	---	DITCH FLOW	---	---	PROPOSED CENTERLINE	---
□	CATCH BASIN	□	---		---	---		---
HP	HYDRO POLE	HP	---		---	---		---
HP	HYDRO POLE WITH LIGHT	HP	---		---	---		---
31.99	ELEVATION	31.99	---		---	---		---
---	CMP. CULVERT	---	---		---	---		---
---	SWALE	---	---		---	---		---
---	HYDRANT	---	---		---	---		---
---	ASPHALT PAVEMENT	---	---		---	---		---
---	PATHWAY CENTRELINE	---	---		---	---		---
---	LEGEND-PLAN	---	---	LEGEND-PLAN	---	---	LEGEND-PROFILE	---

NO.	REVISIONS	DATE	BY
4	-	-	-
3	-	-	-
2	ISSUED FOR TENDER	05.04.10	RMB
1	ISSUED FOR REVIEW	22.01.10	RMB

DATE	TIME	BY
22.01.10		RMB

DESIGNED BY	CHECKED BY
MR	WJ
DRAWN BY	APPROVED BY
MR	
HOR. SCALE	VERTICAL
1:500	1:25
DATE	DATE
22.01.10	



**CITY OF WINNIPEG**  
 PUBLIC WORKS DEPARTMENT  
 TRANSPORTATION ENGINEERING DIVISION  
 2010 ACTIVE TRANSPORTATION PROGRAM  
 BISHOP GRANDIN / KENASTON BLVD  
 GREENWAY  
 WAVERLEY STREET TO MCGILLIVRAY BLVD  
 MULTI-USE PATHWAY  
 STA. 2+435 TO 2+795

**C-005**  
 SHEET 5 OF 8