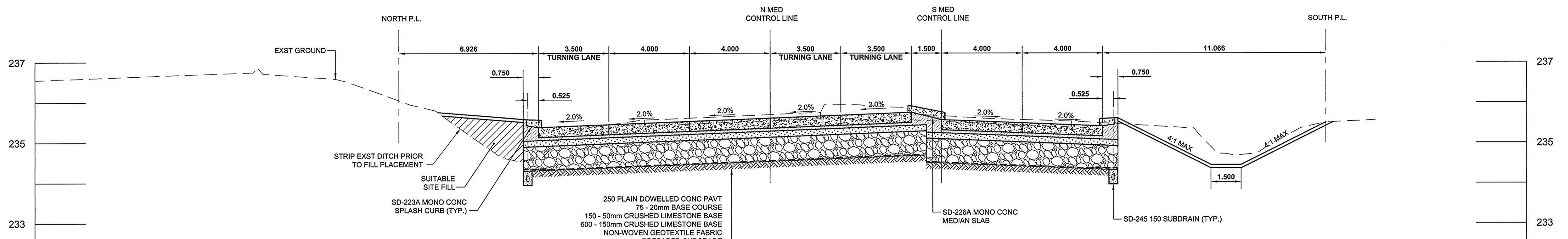


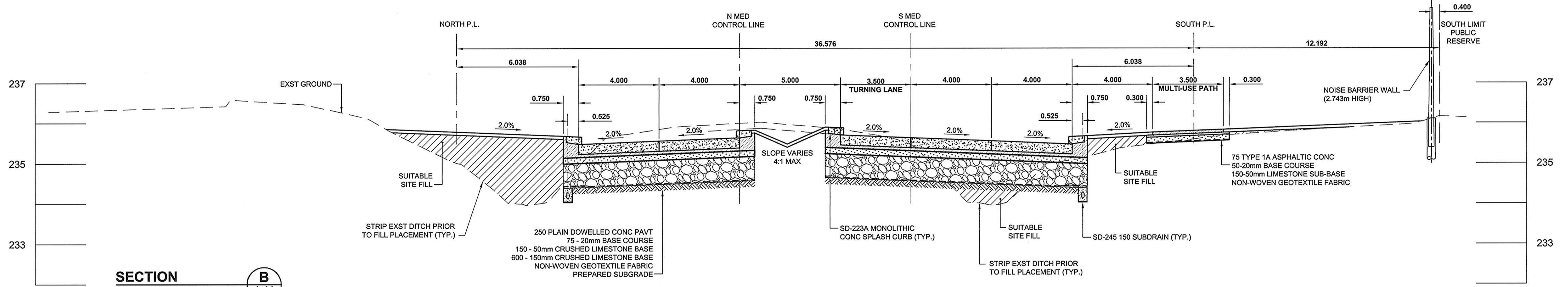
A1 SIZE 23.4" x 33.1" (594mm x 841mm)

PLOT: 10/04/16 4:14:00 PM

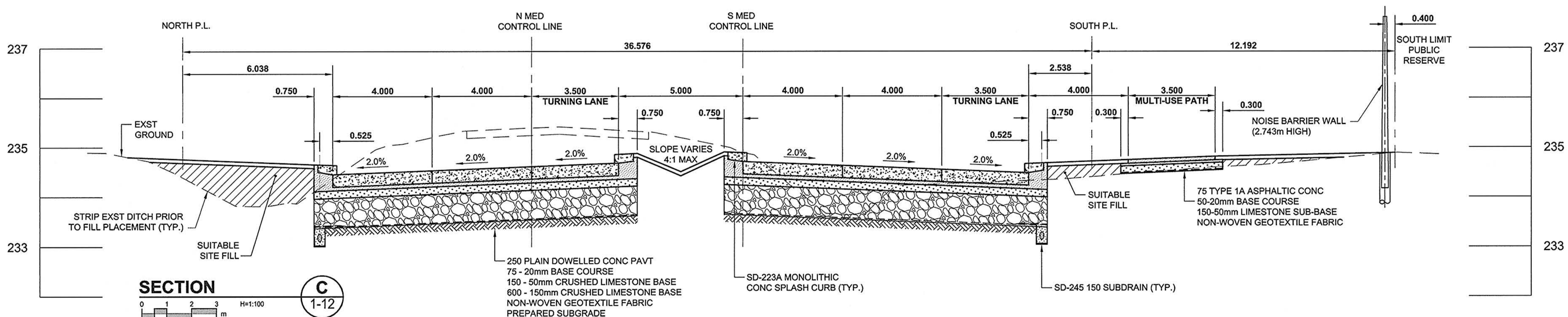
AECOM FILE NAME: 0265-411-00_04-CT3024_RX.dwg Saved By: dssjpcadd



SECTION A
1-9
CONCRETE PAVEMENT STRUCTURE
STA 1+700.000 NM



SECTION B
1-11
CONCRETE PAVEMENT STRUCTURE
STA 2+230.000 NM



SECTION C
1-12
CONCRETE PAVEMENT STRUCTURE
STA 2+490.000 NM

METRIC
WHOLE NUMBERS INDICATE MILLIMETRES
DECIMALIZED NUMBERS INDICATE METRES

AECOM
Certificate of Authorization
AECOM Canada Ltd.
No. 4671 Date: April 19, 2010

BID OPPORTUNITY NO. 232-2010

---	GAS	○	MANHOLE	●	CONCRETE PAVEMENT	▨	LOCATION APPROVED	BM -	<p>This drawing has been prepared for the use of AECOM's client and may not be used, reproduced or relied upon by third parties, except as signed by AECOM and its client, as required by law or for use by governmental reviewing agencies. AECOM accepts no responsibility, and denies any liability whatsoever, to any party that modifies this drawing without AECOM's express written consent. Do not scale this document. All measurements must be obtained from stated dimensions.</p>
---	MTS	□	CATCH BASIN / CATCH PIT	■	ASPHALT PAVEMENT	▩	UNDERGROUND STRUCTURES	ELEV -	
---	HYDRO	△	CURB INLET WITH BOX	▲	CONC. SIDEWALK/MEDIAN	▧			
---	CATV/FO	○	TREE	●	PAVING STONE	▨	SUPR. U/G STRUCTURES	DATE	
---	TRAFFIC SIGNALS/PIT	⊕	TEST HOLE	⊕	GRAVEL	▩	COMMITTEE		
---	LAND DRAINAGE SEWER	⊕	PROPERTY LINE	---	RAMP CURB	▨	NOTE:		
---	SANITARY/COMBINED SEWER	⊕	SURVEY BAR	---	PLANING/REMOVAL	▨	LOCATION OF UNDERGROUND STRUCTURES		
---	SSP/DCP	⊕	FENCE	---			AS SHOWN ARE BASED ON THE BEST		
---	WATERMAIN	⊕	BOC/EOPAVT	---			INFORMATION AVAILABLE BUT NO		
---	SUBDRAIN	⊕	ELEVATION	33.100			GUARANTEE IS GIVEN THAT ALL EXISTING		
---	DITCH	---	TRAFFIC SIGN	---			UTILITIES ARE SHOWN OR THAT THE GIVEN		
---	EXISTING	---	LEGEND - PLAN	---			LOCATIONS ARE EXACT. CONFIRMATION OF		
---	NEW	---	LEGEND - PLAN	---			EXISTENCE AND EXACT LOCATION OF ALL		
---	EXISTING	---	LEGEND - PLAN	---			SERVICES MUST BE OBTAINED FROM THE		
---	NEW	---	LEGEND - PLAN	---			INDIVIDUAL UTILITIES BEFORE PROCEEDING		
---	EXISTING	---	LEGEND - PLAN	---			WITH CONSTRUCTION.		
---	NEW	---	LEGEND - PLAN	---					

0	ISSUED FOR CONSTRUCTION	10/04/21	DID
NO.	REVISIONS	YYMM/DD	BY

DESIGNED BY	GFN, WRJ	CHECKED BY	RPB
DRAWN BY	DJH	APPROVED BY	TGS
HOR. SCALE	1:100	RELEASED FOR CONSTRUCTION	
VERT. SCALE	1:50		
DATE	10/04/21	DATE	April 19, 2010

PROFESSIONAL'S SEAL
PROVINCE OF MANITOBA
REGISTERED PROFESSIONAL ENGINEER
R. P. BRUCE

THE CITY OF WINNIPEG
PUBLIC WORKS DEPARTMENT
ENGINEERING DIVISION

**INKSTER BOULEVARD
WIDENING PROJECT
BROOKSIDE BOULEVARD
TO KEEWATIN STREET**
CROSS SECTIONS
A, B, & C

CITY DRAWING NUMBER
P-3301-54
SHEET 22 OF 82
DRAWING No. REV
1-22 0

CONSULTANT DRAWING NO.
0265-411-00_04-CT3024_RX.dwg