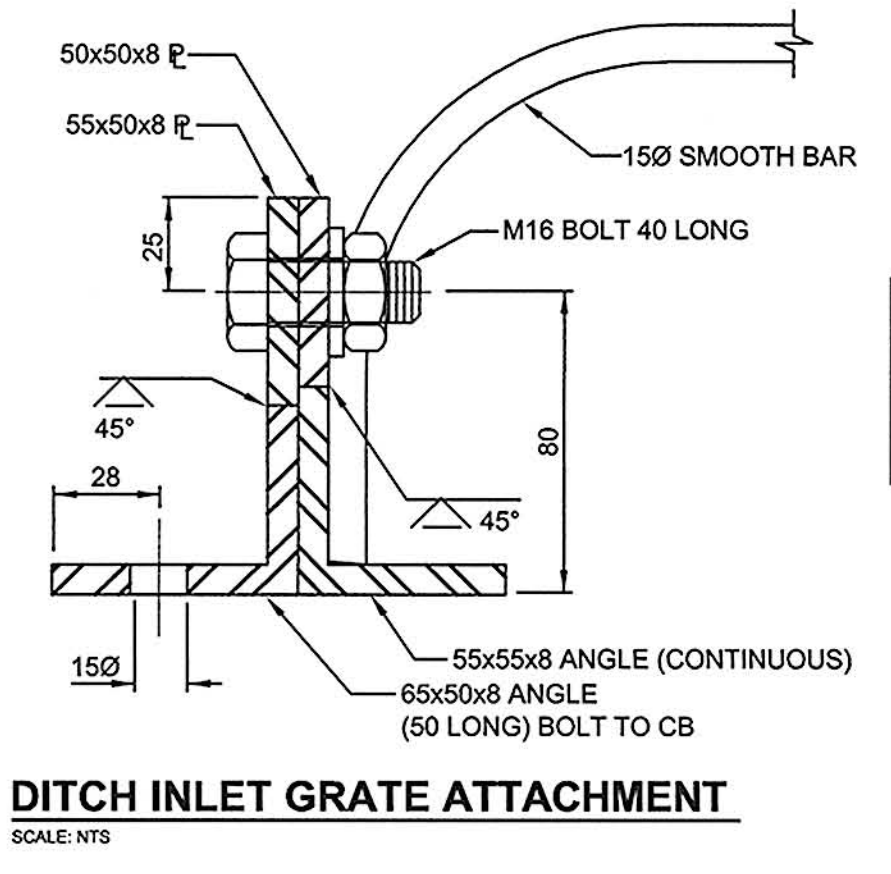
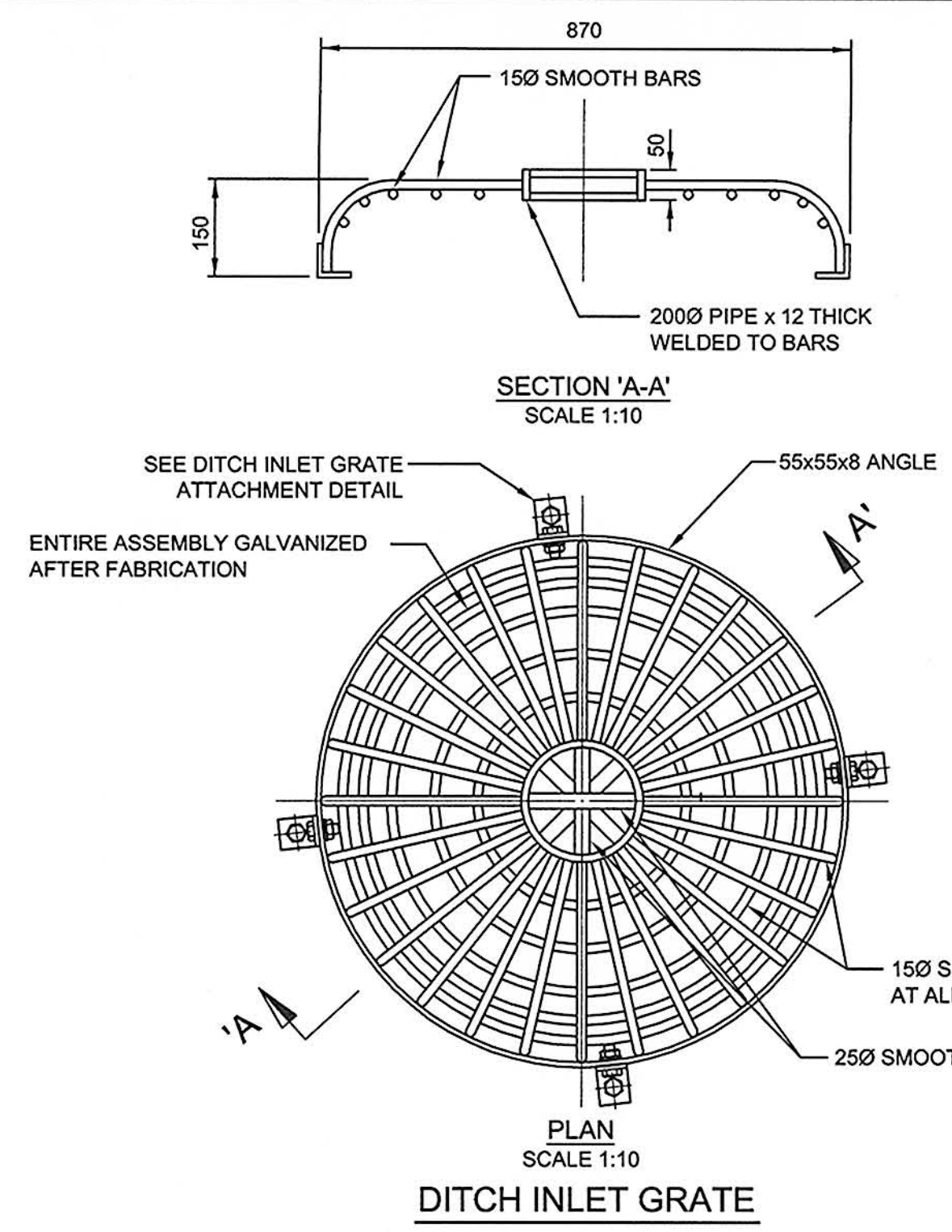


A1 SIZE 23.4" x 33.1" (594mm x 841mm)

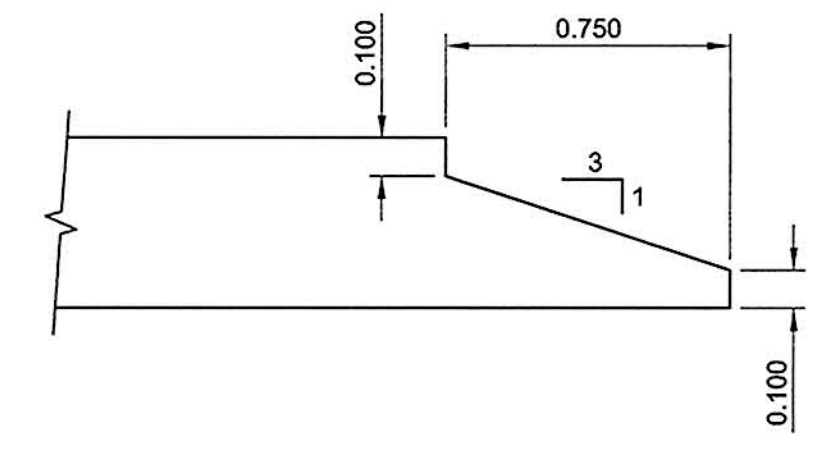
PLOT: 4/16/2010 4:28:20 PM

AECOM REVIEW DRFT CHK *[Signature]*
 AECOM FILE NAME: 0265-411-00_02-C-4001_RX.dwg Saved By: berardk



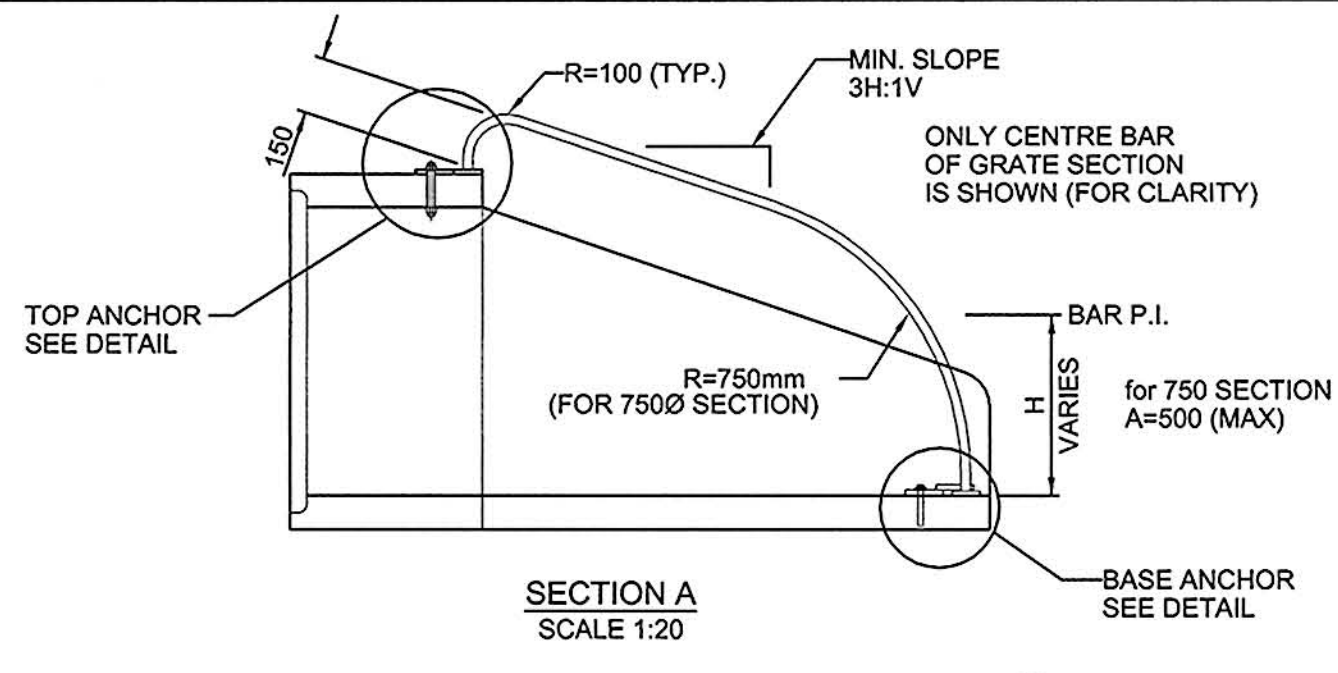
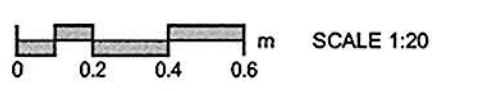
CSP BEVEL CHART

DIAMETER OF PIPE	LENGTH	STEP
300Ø	450	75
450Ø	750	100
600Ø	1050	125



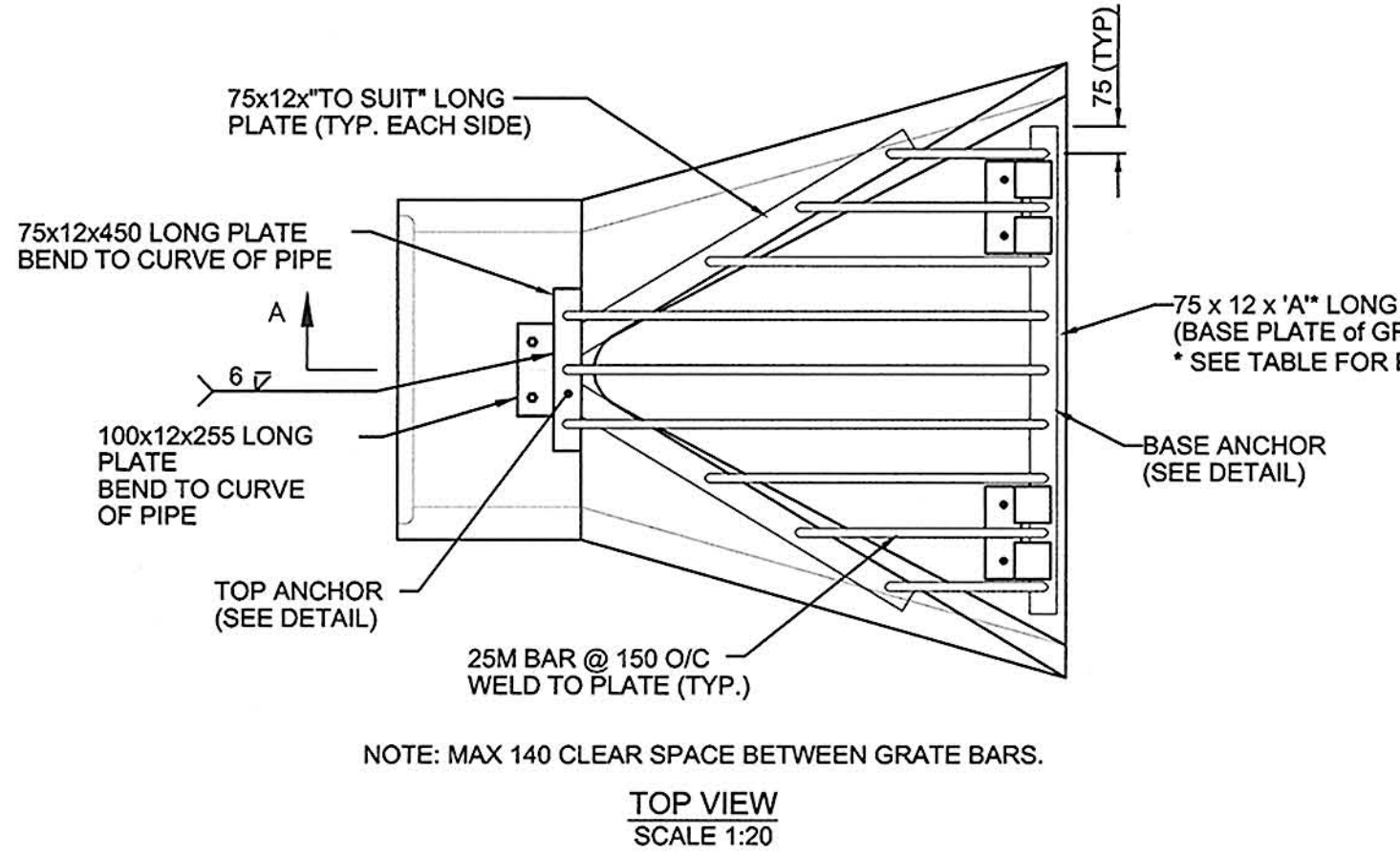
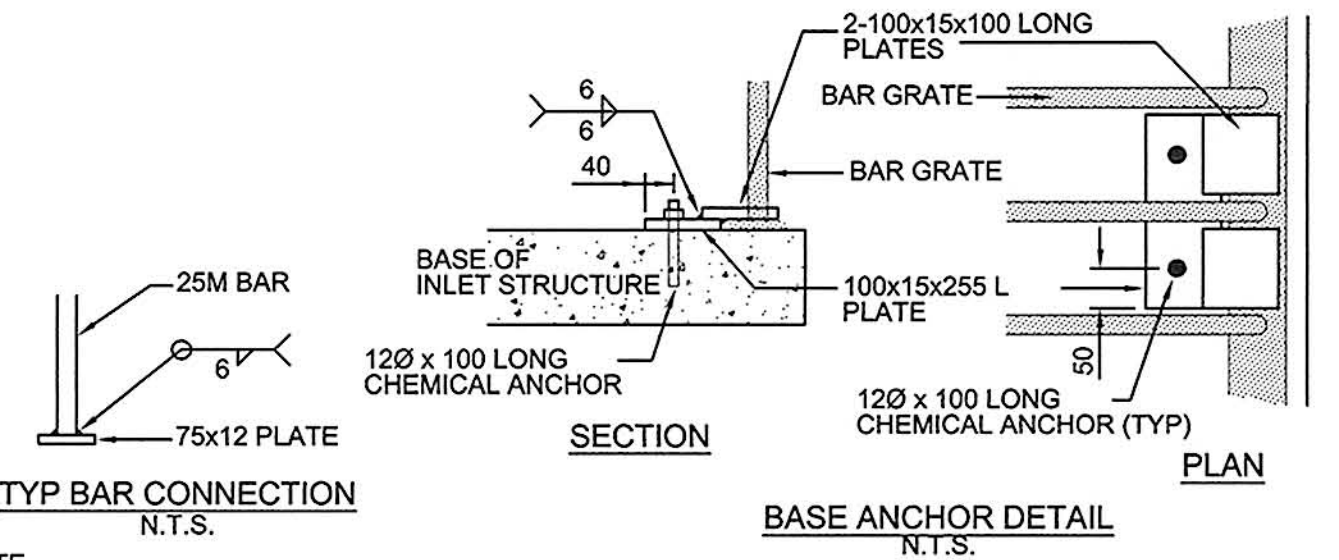
NOTE: ALL NEW CSP'S TO BE INSTALLED C/W BEVEL END SECTIONS UNLESS NOTED OTHERWISE.

CSP BEVEL ENDS

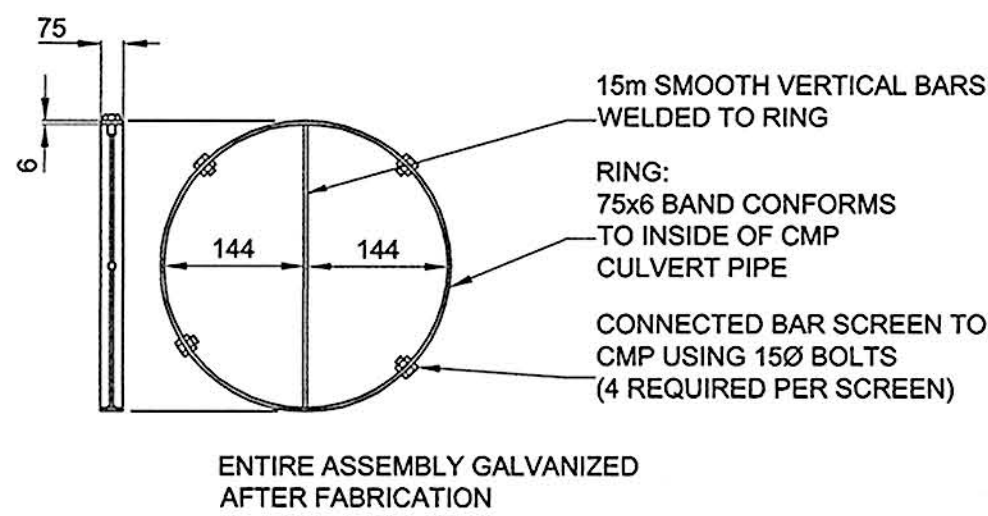
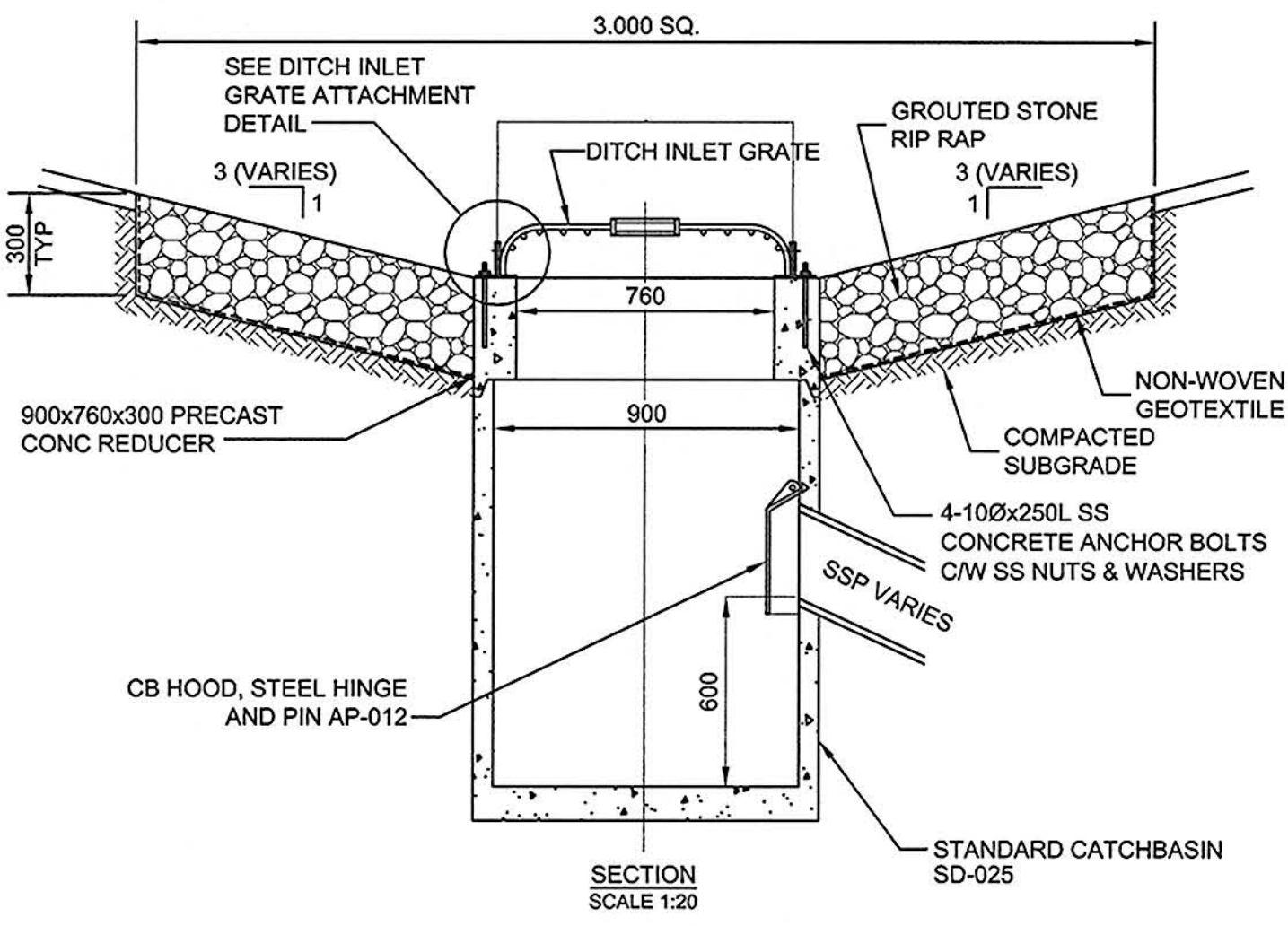


CONCRETE FLARED END SECTION SAFETY GRATE

DIAMETER OF PIPE	LENGTH OF PLATE 'A'
600Ø	1050
900Ø	1650



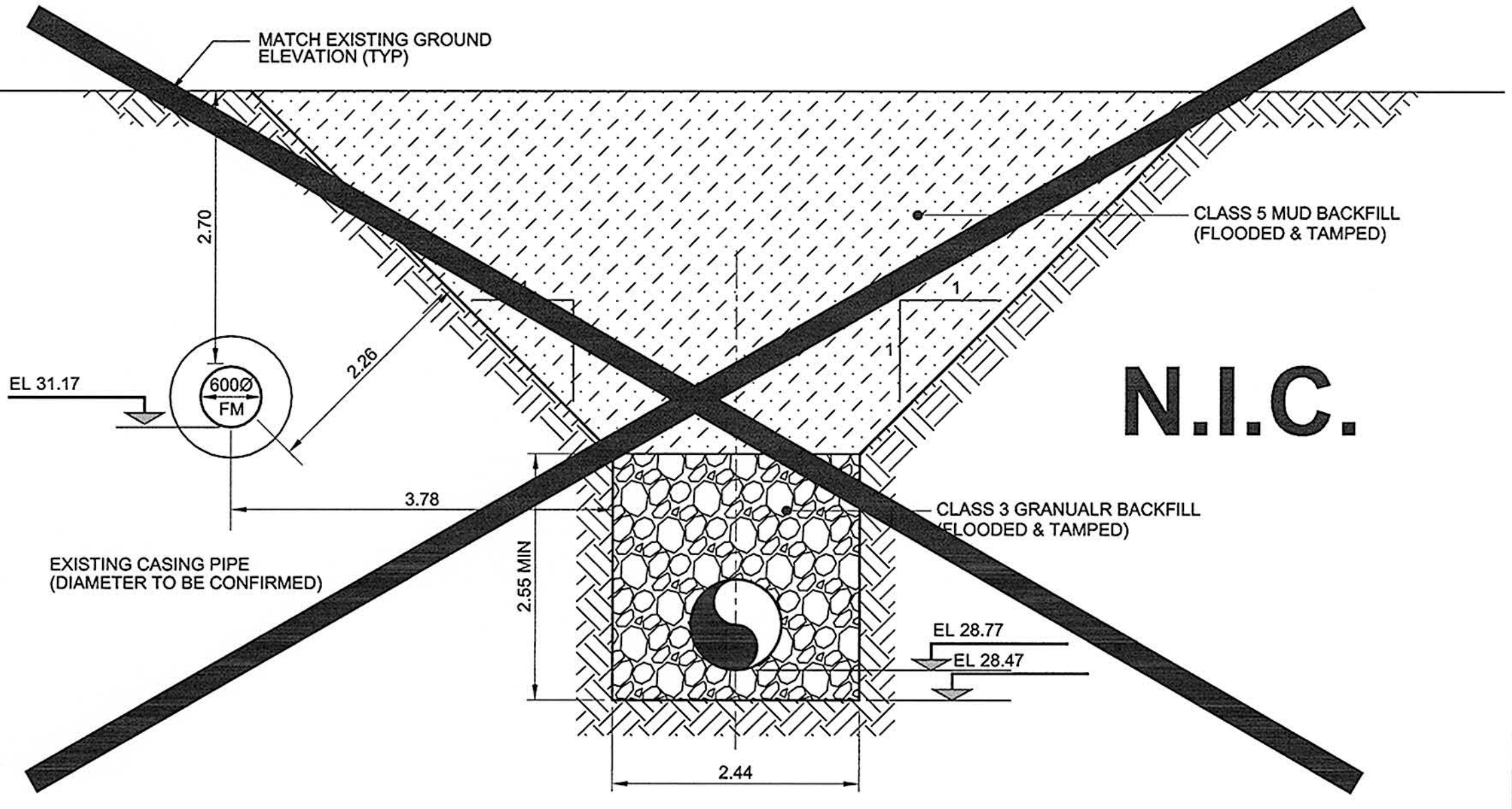
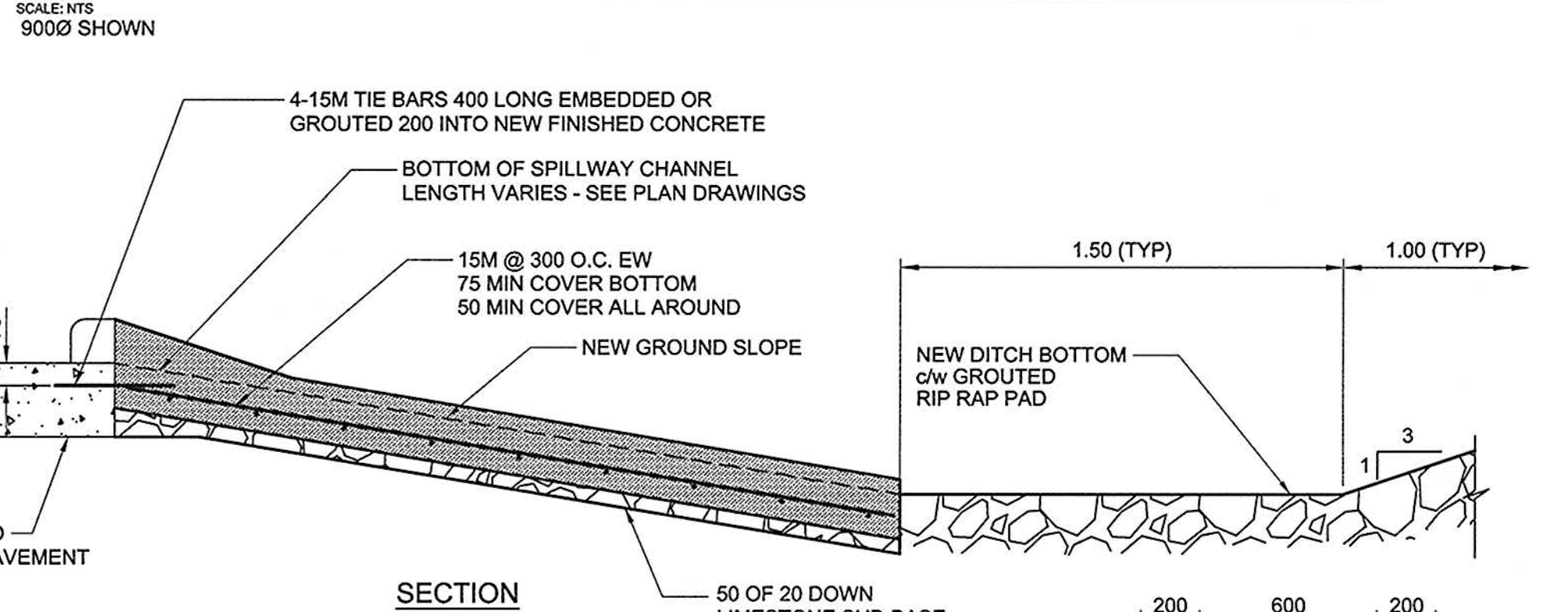
NOTE: MAX 140 CLEAR SPACE BETWEEN GRATE BARS.



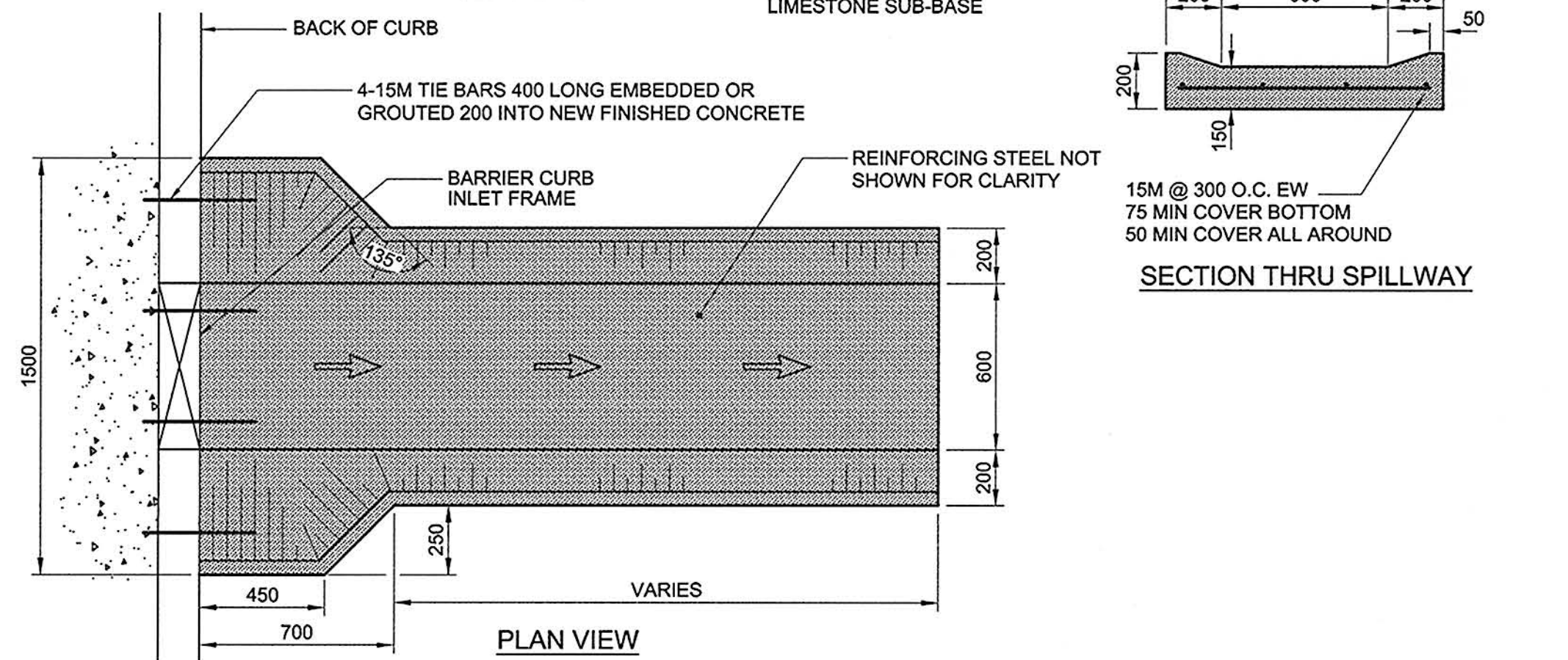
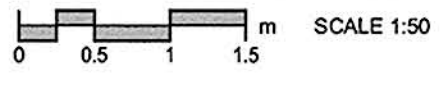
BAR SCREEN DETAIL

SCALE: N.T.S. CSP INLET

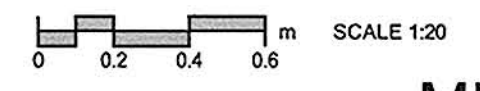
INLET SAFETY GRATE FOR VARIOUS PRECAST CONCRETE FLARED END SECTIONS



TYPICAL TRENCH EXCAVATION & MODIFIED CLASS 3 BACKFILL



CONCRETE SPILLWAY CHANNEL DETAIL



METRIC
 WHOLE NUMBERS INDICATE MILLIMETRES
 DECIMALIZED NUMBERS INDICATE METRES

LOCATION APPROVED UNDERGROUND STRUCTURES

SUPR. U/G STRUCTURES COMMITTEE	DATE

NOTE: LOCATION OF UNDERGROUND STRUCTURES AS SHOWN ARE BASED ON THE BEST INFORMATION AVAILABLE. BUT NO GUARANTEE IS GIVEN THAT ALL EXISTING UTILITIES ARE SHOWN OR THAT THE GIVEN LOCATIONS ARE EXACT. CONFIRMATION OF EXISTENCE AND EXACT LOCATION OF ALL SERVICES MUST BE OBTAINED FROM THE INDIVIDUAL UTILITIES BEFORE PROCEEDING WITH CONSTRUCTION.

NO.	REVISIONS	YYMMDD	BY
0	ISSUED FOR CONSTRUCTION	10/04/21	KMB

AECOM

DESIGNED BY	DME	CHECKED BY	[Signature]
DRAWN BY	WJD	APPROVED BY	[Signature]
HOR. SCALE	1:500	RELEASED FOR CONSTRUCTION	[Signature]
VERT. SCALE	1:50	DATE	10/04/19

PROFESSIONAL'S SEAL
 PROVINCE OF MANITOBA
 REGISTERED PROFESSIONAL ENGINEER
 A. NAGY
 April 19, 2010
 CONSULTANT DRAWING NO.
 0265-411-00_02-C-4001_RX.dwg

THE CITY OF WINNIPEG
 PUBLIC WORKS DEPARTMENT
 ENGINEERING DIVISION

INKSTER BOULEVARD WIDENING PROJECT
 BROOKSIDE BOULEVARD TO KEEWATIN STREET
 LAND DRAINAGE SYSTEM
 MISCELLANEOUS DETAILS

CITY DRAWING NUMBER P-3301-67
 SHEET 35 OF 82
 DRAWING No. 1-35
 REV 0

AECOM
 Certificate of Authorization
 AECOM Canada Ltd.
 No. 4671 Date: 10/04/19
 BID OPPORTUNITY NO. 232-2010