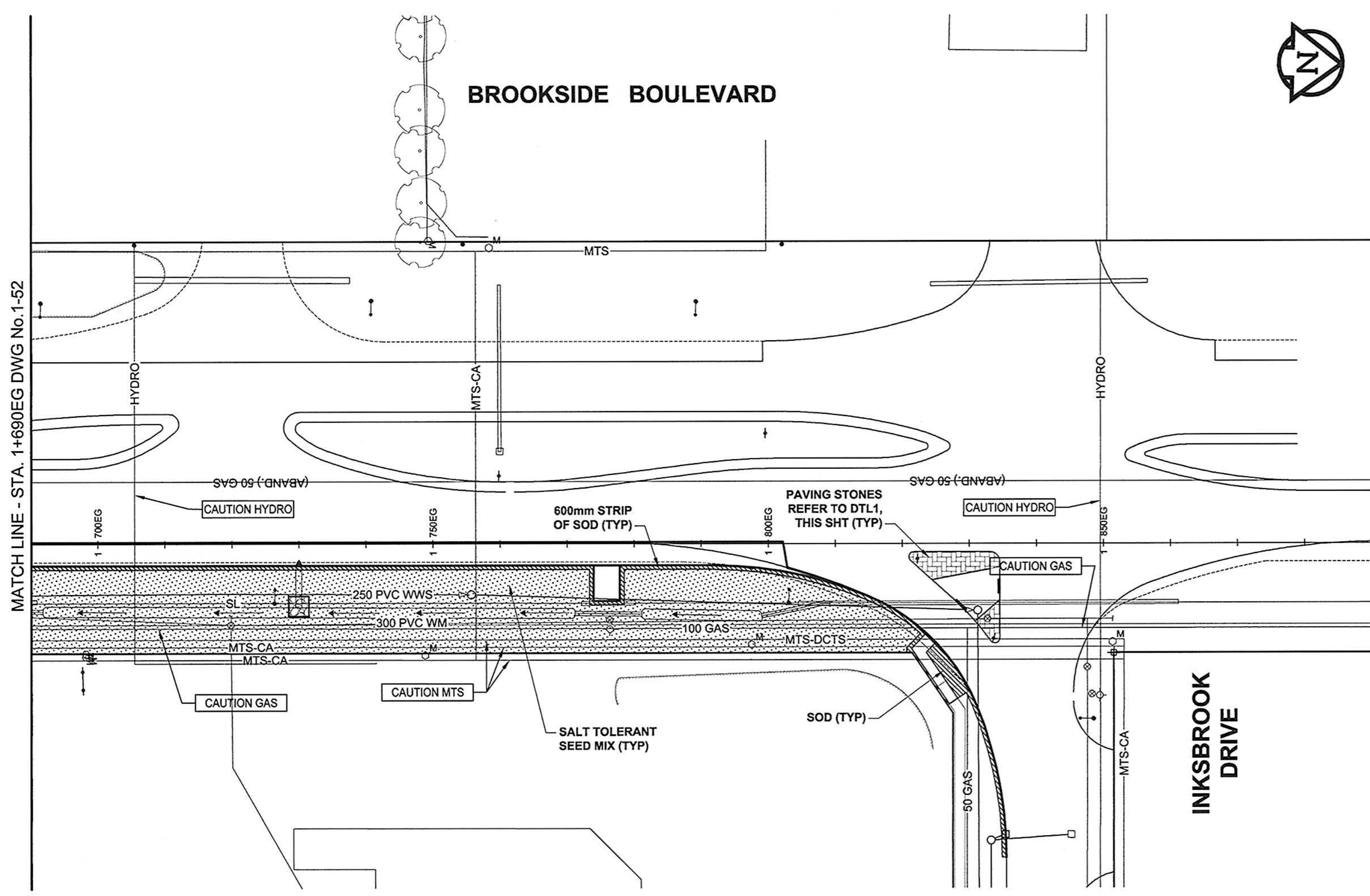


A1 SIZE 23.4" x 33.1" (594mm x 841mm)

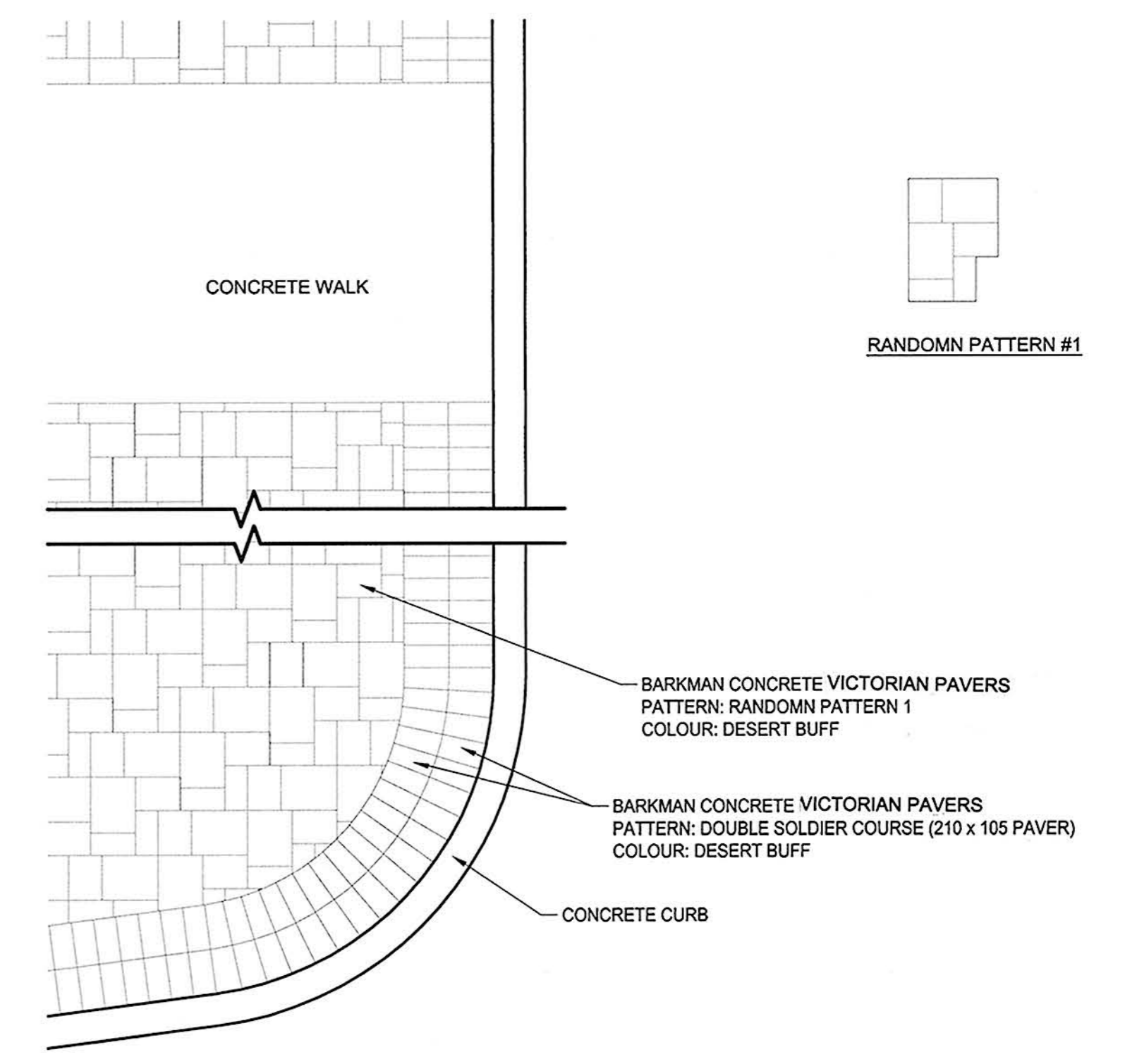
PLOT: 10/04/19 2:54:24 PM

AECOM FILE NAME: 0265-411-00\_04-L-1014\_RX.dwg, Saved By: vibergj

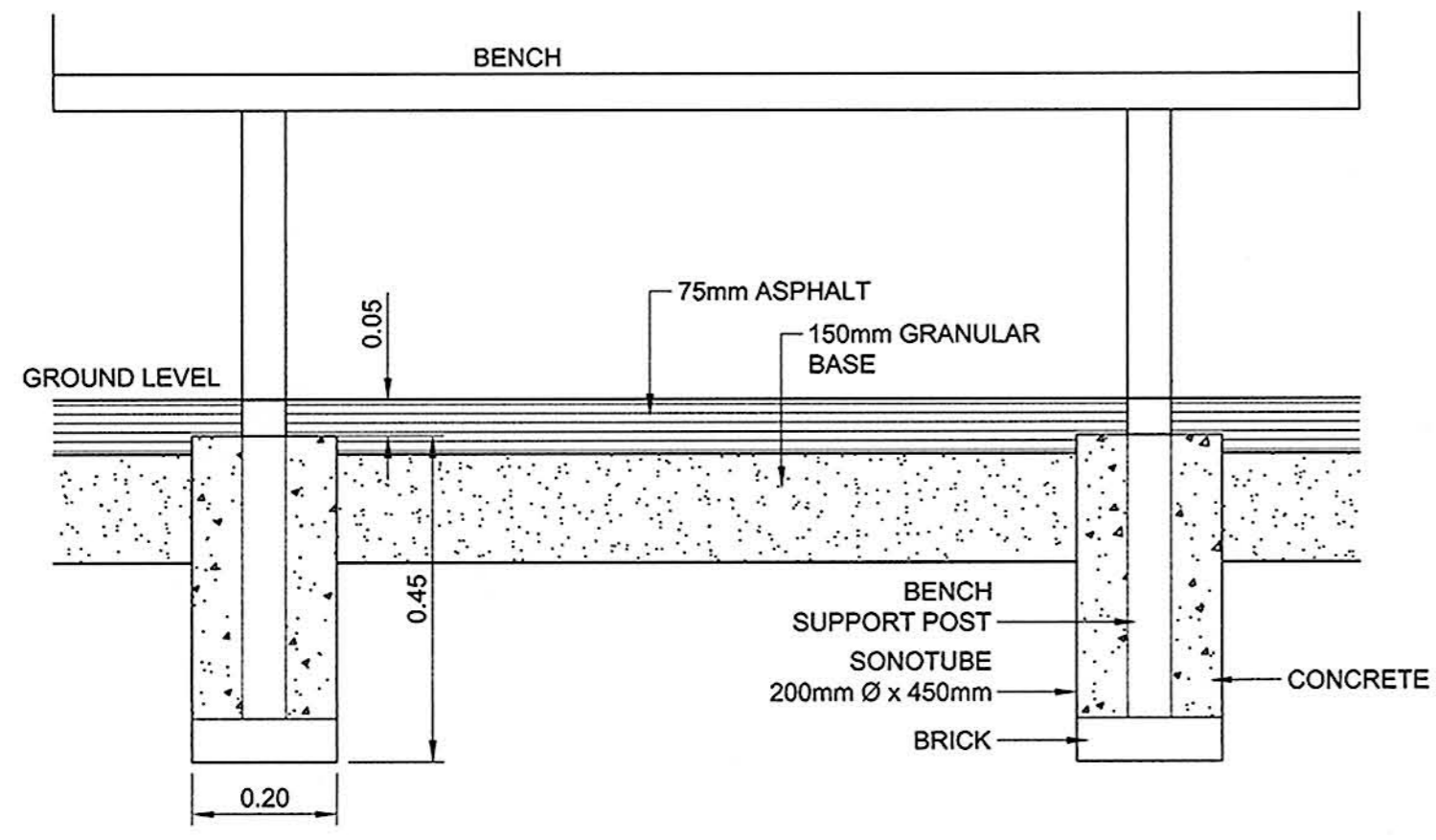


**LEGEND**

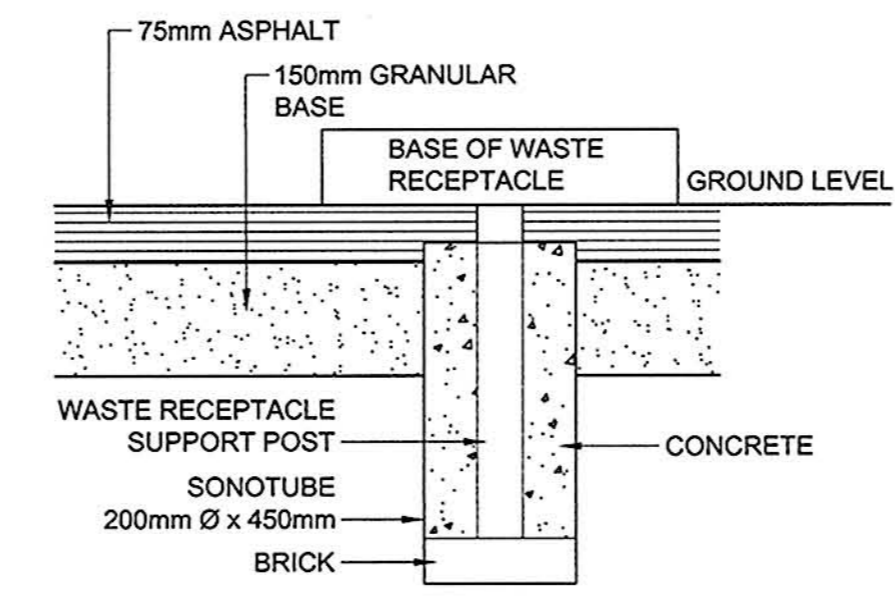
	CONCRETE PAVERS
	BLUEGRASS/FESCUE SOD
	SALT TOLERANT SEED MIX



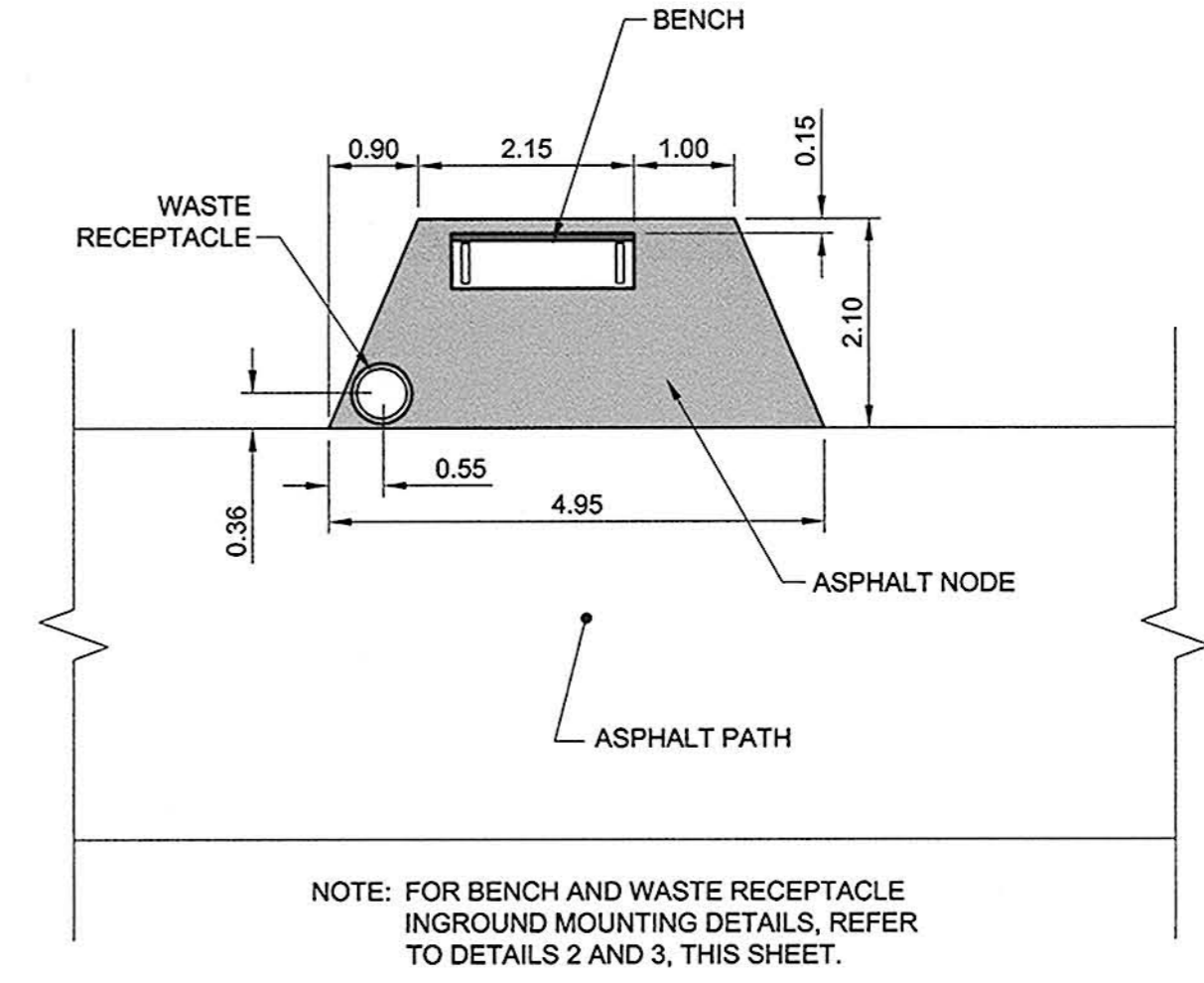
**DETAIL 1**  
TYPICAL PAVING PATTERN  
SCALE 1:25  
1-43



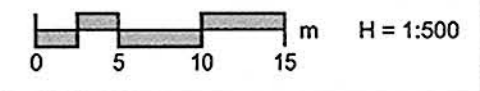
**DETAIL 2**  
BENCH INGROUND MOUNTING  
SCALE 1:10  
1-42



**DETAIL 3**  
WASTE RECEPTACLE INGROUND MOUNTING  
SCALE 1:10  
1-42



**DETAIL 4**  
ACCESSIBLE ASPHALT REST AREA  
SCALE 1:75  
1-42



H = 1:500

	GAS		MANHOLE		CONCRETE PAVEMENT
	MTS		CATCH BASIN / CATCH PIT		ASPHALT PAVEMENT
	HYDRO		CURB INLET WITH BOX		CONC. SIDEWALK/MEDIAN
	CATV/FO		TREE		PAVING STONE
	TRAFFIC SIGNALS/PIT		TEST HOLE		GRAVEL
	LAND DRAINAGE SEWER		PROPERTY LINE		RAMP CURB
	SANITARY/COMBINED SEWER		SURVEY BAR		PLANING/REMOVAL
	SSP/DCP		FENCE		
	WATERMAIN		BOC/EOPAVT		
	SUBDRAIN		ELEVATION		
	DITCH		TRAFFIC SIGN		
	EXISTING		LEGEND - PLAN		NEW

**LOCATION APPROVED UNDERGROUND STRUCTURES**

SUPR. U/G STRUCTURES	DATE
COMMITTEE	

**NOTE:**  
LOCATION OF UNDERGROUND STRUCTURES AS SHOWN ARE BASED ON THE BEST INFORMATION AVAILABLE. BUT NO GUARANTEE IS GIVEN THAT ALL EXISTING UTILITIES ARE SHOWN OR THAT THE GIVEN LOCATIONS ARE EXACT. CONFIRMATION OF EXISTENCE AND EXACT LOCATION OF ALL SERVICES MUST BE OBTAINED FROM THE INDIVIDUAL UTILITIES BEFORE PROCEEDING WITH CONSTRUCTION.

**AECOM**

DESIGNED BY	LJV	CHECKED BY	DKH/
DRAWN BY	LJV/DID/KLC	APPROVED BY	RPB
HOR. SCALE	1:500	RELEASED FOR CONSTRUCTION	
VERT. SCALE	NA	DATE	April 19, 2016

PROFESSIONAL'S SEAL  
L. JOY VIBERG  
member no. 125  
10/1/12  
CONSULTANT DRAWING NO. 0265-411-00\_04-L-1014\_RX.dwg

**THE CITY OF WINNIPEG**  
PUBLIC WORKS DEPARTMENT  
ENGINEERING DIVISION

**INKSTER BOULEVARD WIDENING PROJECT**  
BROOKSIDE BOULEVARD TO KEEWATIN STREET

LANDSCAPING & DETAILS BROOKSIDE BOULEVARD  
STA 1+690 TO INKSBROOK DR

CITY DRAWING NUMBER	P-3301-85
SHEET	53 OF 82
DRAWING No.	1-53
REV	0

**AECOM**  
Certificate of Authorization  
AECOM Canada Ltd.  
No. 4671 Date: April 19/16

**METRIC**  
WHOLE NUMBERS INDICATE MILLIMETRES  
DECIMALIZED NUMBERS INDICATE METRES

BID OPPORTUNITY NO. 232-2010