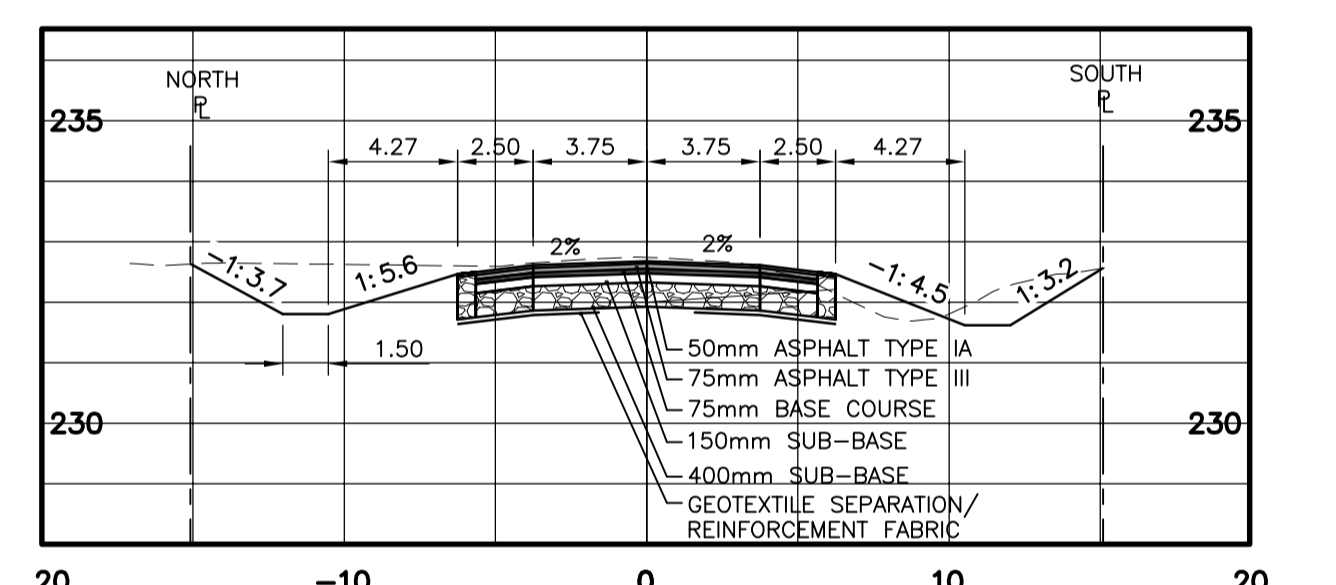
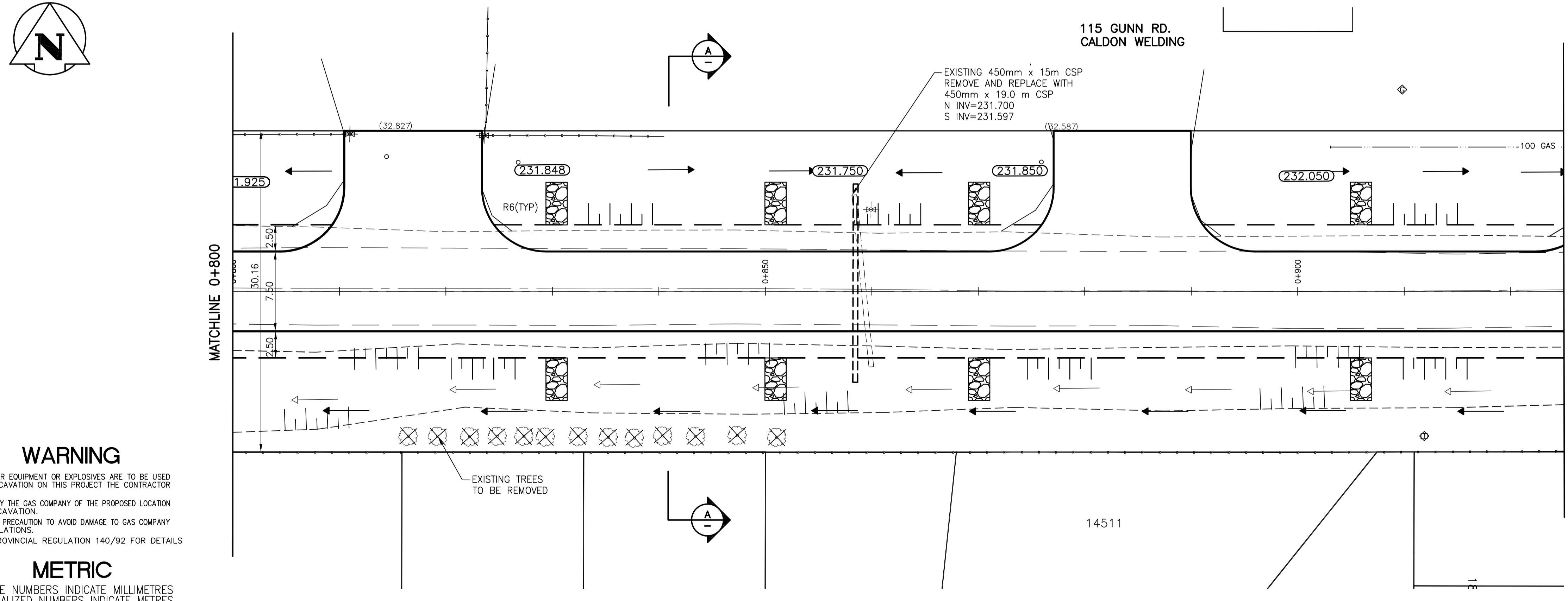
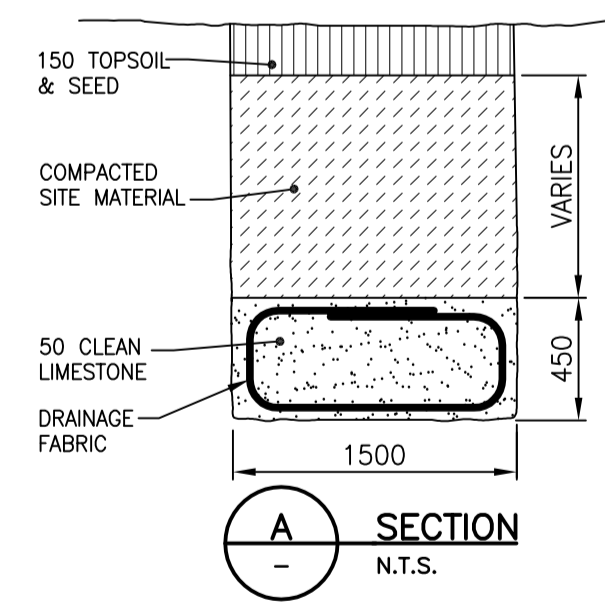


GUNN ROAD



SECTION AT STA 0+840
1:250H 1:125V



ROAD SUB-BASE OUTLET DRAINAGE DETAIL
N.T.S.

WARNING
IF POWER EQUIPMENT OR EXPLOSIVES ARE TO BE USED FOR EXCAVATION ON THIS PROJECT THE CONTRACTOR MUST:
1) NOTIFY THE GAS COMPANY OF THE PROPOSED LOCATION OF EXCAVATION.
2) TAKE PRECAUTION TO AVOID DAMAGE TO GAS COMPANY INSTALLATIONS.
SEE PROVINCIAL REGULATION 140/92 FOR DETAILS.

METRIC
WHOLE NUMBERS INDICATE MILLIMETRES
DECIMALIZED NUMBERS INDICATE METRES

150 W.M.	WATERMAIN	150 W.M.	HYDRO	WATERMAIN	150 W.M.	WATERMAIN	150 W.M.
+	HYDRANT	+	M.T.S.	+	+	HYDRANT, VALVE	+
+	VALVE	+	CONCRETE	+	+	LAND DRAINAGE SEWER	+
+	LAND DRAINAGE SEWER	+	ASPHALT	+	+	WASTE WATER SEWER	+
+	WASTE WATER SEWER	+	SIDEWALK	+	+	Q PROFILE	+
○	MANHOLE	○	PROPERTY LINE	+	+	NORTH OR WEST GUTTER	+
□	CATCH BASIN	□	SURVEY BAR	○	○	SOUTH OR EAST GUTTER	+
▽	CURB INLET	▽	DITCH	○	○	NORTH OR WEST D	+
+	JUNCTIONS	+	ELEVATION	○	○	SOUTH OR EAST D	+
+	CULVERT	+	SIDEWALK RAMP	△	△	NORTH OR WEST DITCH	+
+	GAS	+	HYDRO POLE	▽	▽	SOUTH OR EAST DITCH	+
+	LEGEND-PLAN	+	PROPOSED	+	+	LEGEND-PROFILE	+
+	EXISTING	+	EXISTING	+	+	EXISTING	+

LOCATION APPROVED UNDERGROUND STRUCTURES
SUPV. U/G STRUCTURES COMMITTEE DATE
NOTE: LOCATION OF UNDERGROUND STRUCTURES AS SHOWN ARE BASED ON THE BEST INFORMATION AVAILABLE BUT NO GUARANTEE IS GIVEN THAT ALL EXISTING UTILITIES ARE SHOWN OR THAT THE GIVEN LOCATIONS ARE EXACT. CONFIRMATION OF EXISTENCE AND EXACT LOCATION OF ALL SERVICES MUST BE OBTAINED FROM THE INDIVIDUAL UTILITIES BEFORE PROCEEDING WITH CONSTRUCTION.

B.M. ELEV.	NO.	REVISIONS	DATE	BY
	0	ISSUED FOR TENDER	10.03.25	W.K.B.

Stantec Consulting Ltd.
905 Waverley Street, Winnipeg, Manitoba
Tel 204-489-5900 Fax 204-453-9012

DESIGNED BY: W.K.B. CHECKED BY: V.M.M.
DRAWN BY: R.V. APPROVED BY: W.K.B.

HOR. SCALE: 1:250
VERTICAL: 1:10

RELEASED FOR CONSTRUCTION: DATE

CONSULTANT DRAWING NO. C-203

ENGINEER'S SEAL
PROVINCE OF MANITOBA
REGISTERED PROFESSIONAL ENGINEER
W.K. BYCZEK
MEMBER 23067

THE CITY OF WINNIPEG
PUBLIC WORKS DEPARTMENT
ENGINEERING DIVISION

GUNN ROAD
PLESSIS ROAD TO REDONDA STREET
STA. 0+800 TO STA. 0+925
ROAD RECONSTRUCTION

SHEET 3 OF 29
CAD FILE DRAWING NUMBER 05170c-201-726.dwg
CITY DRAWING NUMBER P-3318-03