

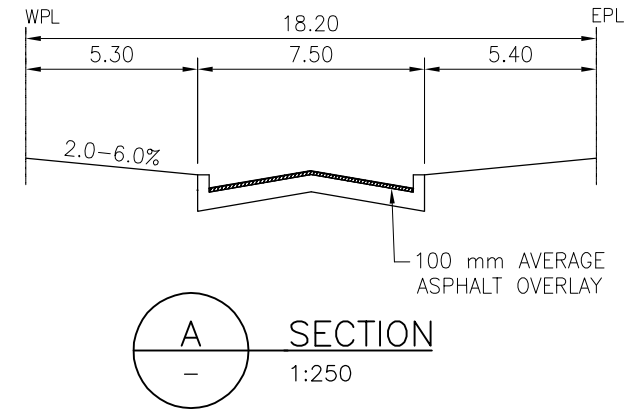
BID OPPORTUNITY No. 250-2010 FILE No. 113705280

CORNELL DRIVE from LINACRE ROAD to BALDRY BAY

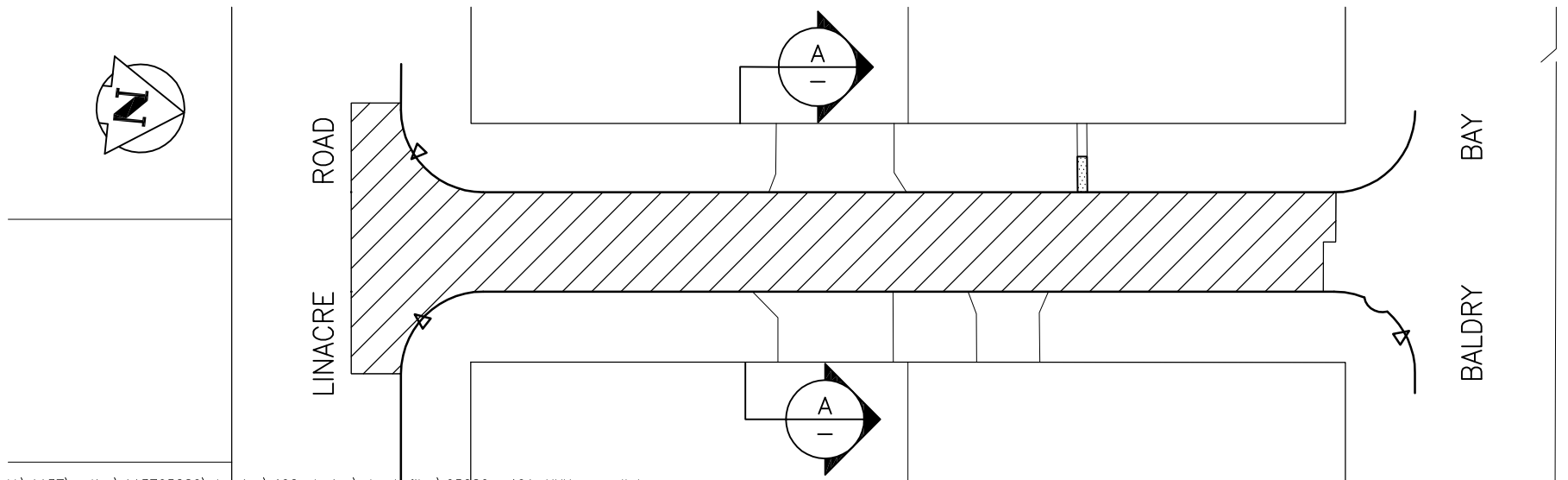
L= 75.0M

W= 7.50M

TYPE OF WORK: MAJOR REHABILITATION



CORNELL DRIVE



V:\1137\active\113705280\drawing\402_design\sheet_files\05280c-401-XXX-cornell.dwg
2010-03-30 09:04AM By: tgall

March, 2010
113705280

ORIGINAL SHEET - ANSI A



Stantec Consulting LTD.

100-1355 Taylor Avenue
Winnipeg MB Canada
R3MEY9
Tel. 204-928-8840
Fax. 204-453-9012
www.stantec.com

Notes

MAJOR REHABILITATION INCLUDES

1. PAVEMENT REPAIRS
2. ASPHALT OVERLAY
3. CURB RENEWAL
4. MINOR UNDERGROUND RENEWAL

Client/Project

THE CITY OF WINNIPEG
PUBLIC WORKS DEPARTMENT

Figure No.

F-1

Title

CORNELL DRIVE
LINACRE RD. TO BALDRY BAY