

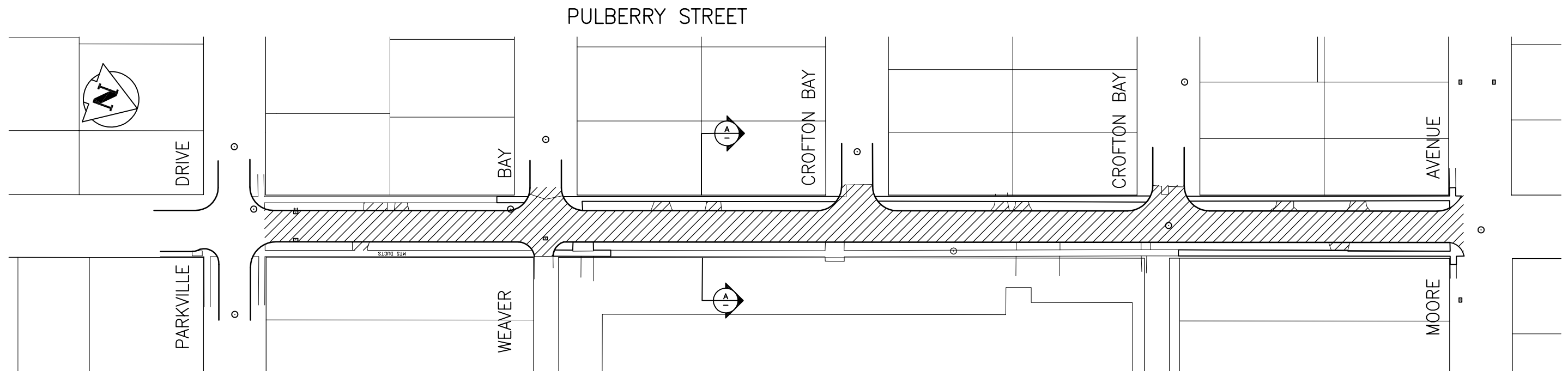
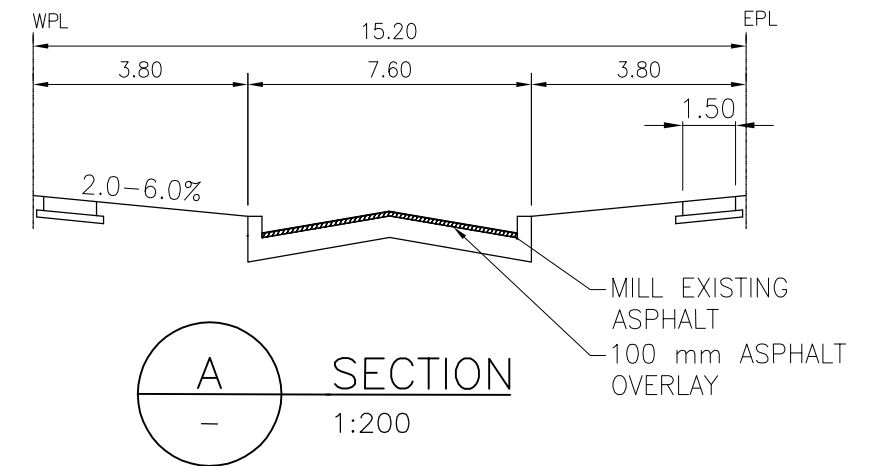
BID OPPORTUNITY No. 250-2010 FILE No. 113705280

PULLBERRY STREET from PARKVILLE DRIVE to MOORE AVENUE

L= 290.0M

W= 7.60M

TYPE OF WORK: MAJOR REHABILITATION



V:\1137\active\113705280\drawing\402_design\sheet_files\05280c-402-XXX-pullberry.dwg
2010-03-30 09:05AM By: tqall

March, 2010
113705280

ORIGINAL SHEET - ANSI B



Stantec

Stantec Consulting LTD.

100-1355 Taylor Avenue
Winnipeg MB Canada
R3M EY9
Tel. 204-928-8840
Fax. 204-453-9012
www.stantec.com

Notes

MAJOR REHABILITATION INCLUDES

1. PAVEMENT REPAIRS
2. ASPHALT OVERLAY
3. CURB RENEWAL
4. SIDEWALK RENEWAL
5. MINOR UNDERGROUND RENEWAL

Client/Project

THE CITY OF WINNIPEG
PUBLIC WORKS DEPARTMENT

Figure No.

F-2

Title

**PULLBERRY STREET
PARKVILLE DR. TO MOORE AVE.**