

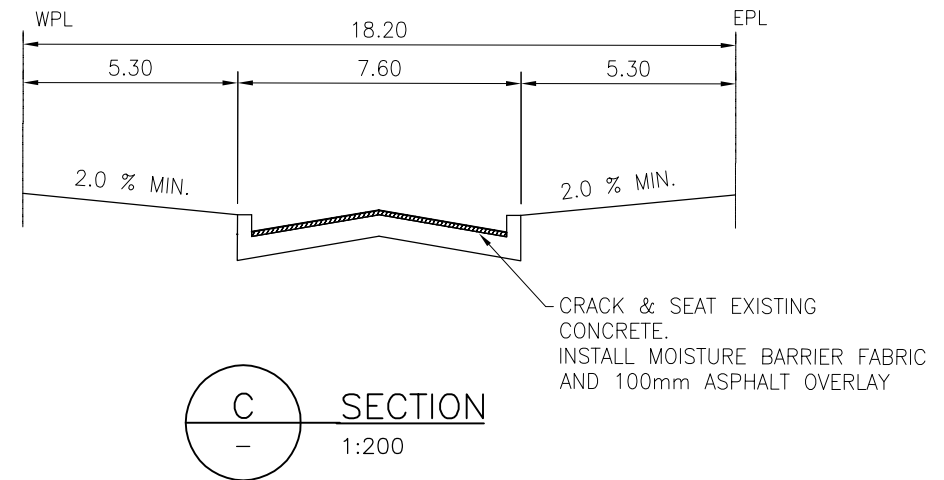
BID OPPORTUNITY No. 250-2010 FILE No. 113705280

LAKE GROVE BAY from CHANCELLOR DRIVE to CHANCELLOR DRIVE

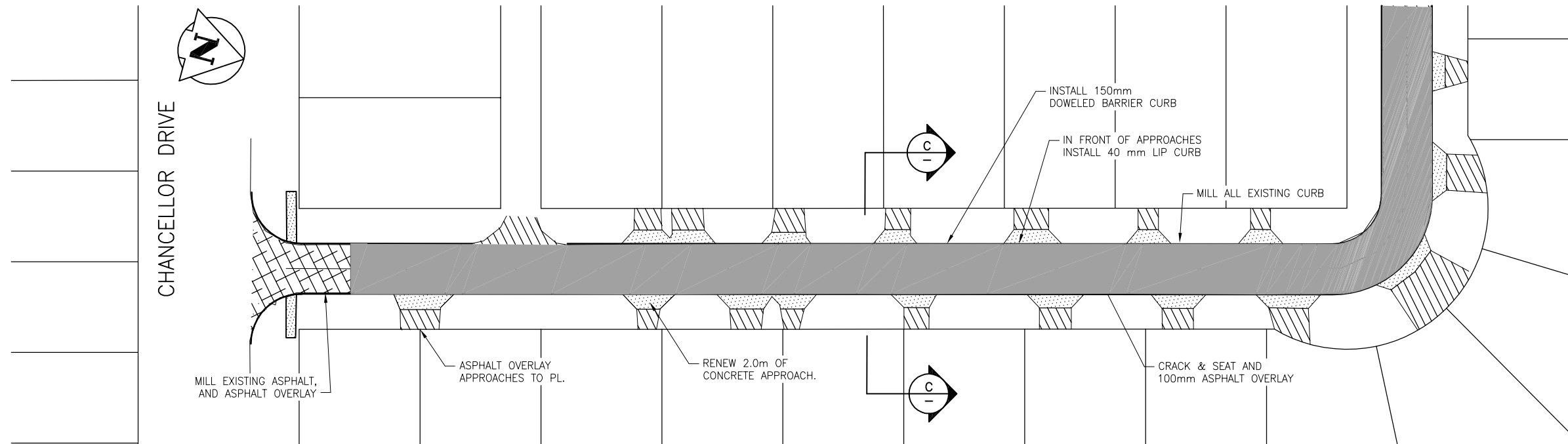
L= 615.0M

W= 7.60M

TYPE OF WORK: MAJOR REHABILITATION



LAKE GROVE BAY



V:\1137\active\113705280\drawing\402_design\sheet_files\05280c-403-XXX-lakegrove.dwg
2010-04-07 08:28AM By: tqall

March, 2010
113705280

ORIGINAL SHEET - ANSI B



Stantec Consulting LTD.
100-1355 Taylor Avenue
Winnipeg MB Canada
R3M EY9
Tel. 204-928-8840
Fax. 204-453-9012
www.stantec.com

Notes

MAJOR REHABILITATION INCLUDES

1. CRACK & SEAT
2. ASPHALT OVERLAY
3. CURB RENEWAL
4. MINOR SIDEWALK RENEWAL
5. MINOR UNDERGROUND RENEWAL

Client/Project

THE CITY OF WINNIPEG
PUBLIC WORKS DEPARTMENT

Figure No.

F-3.3

Title

LAKE GROVE BAY
EAST LEG