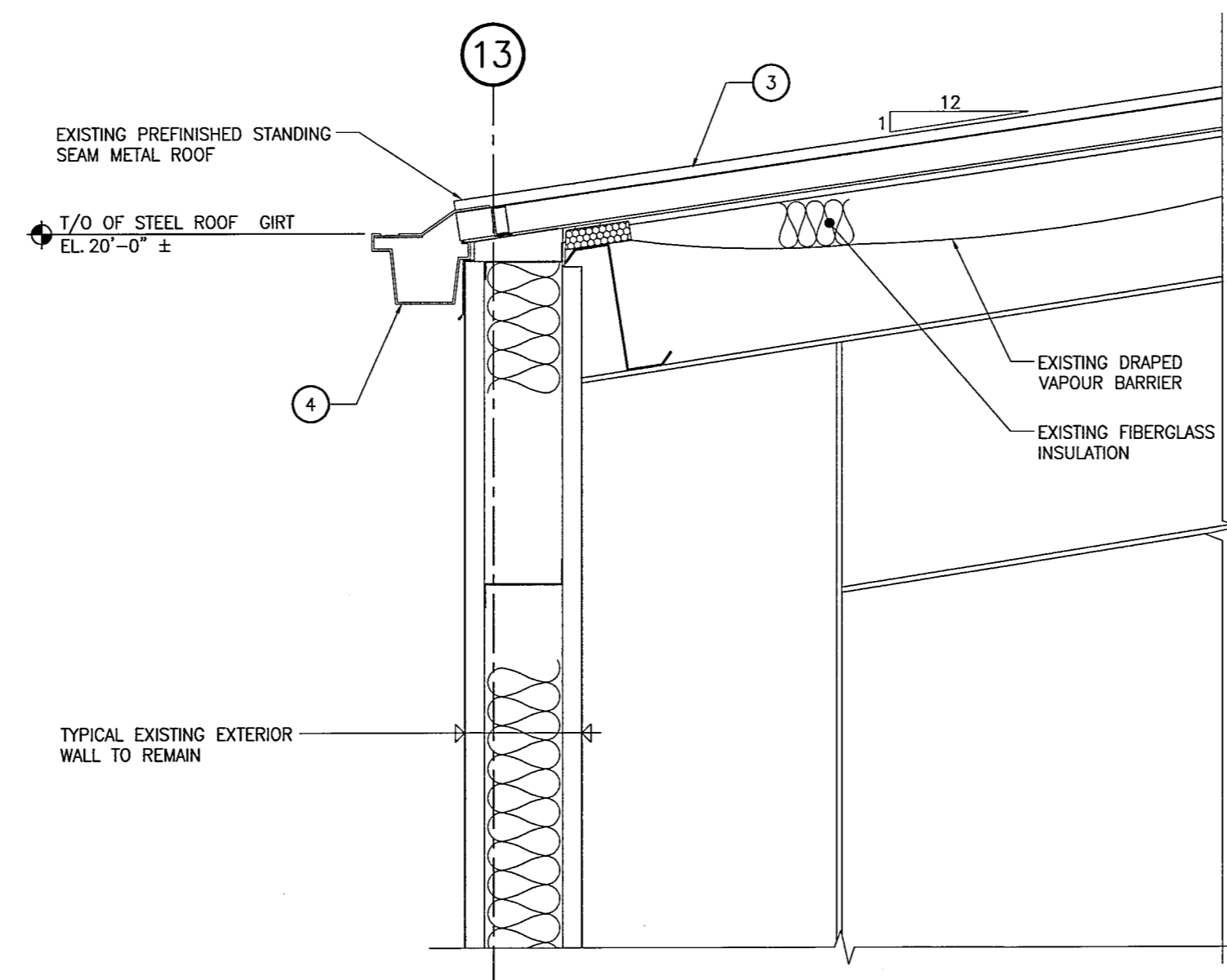
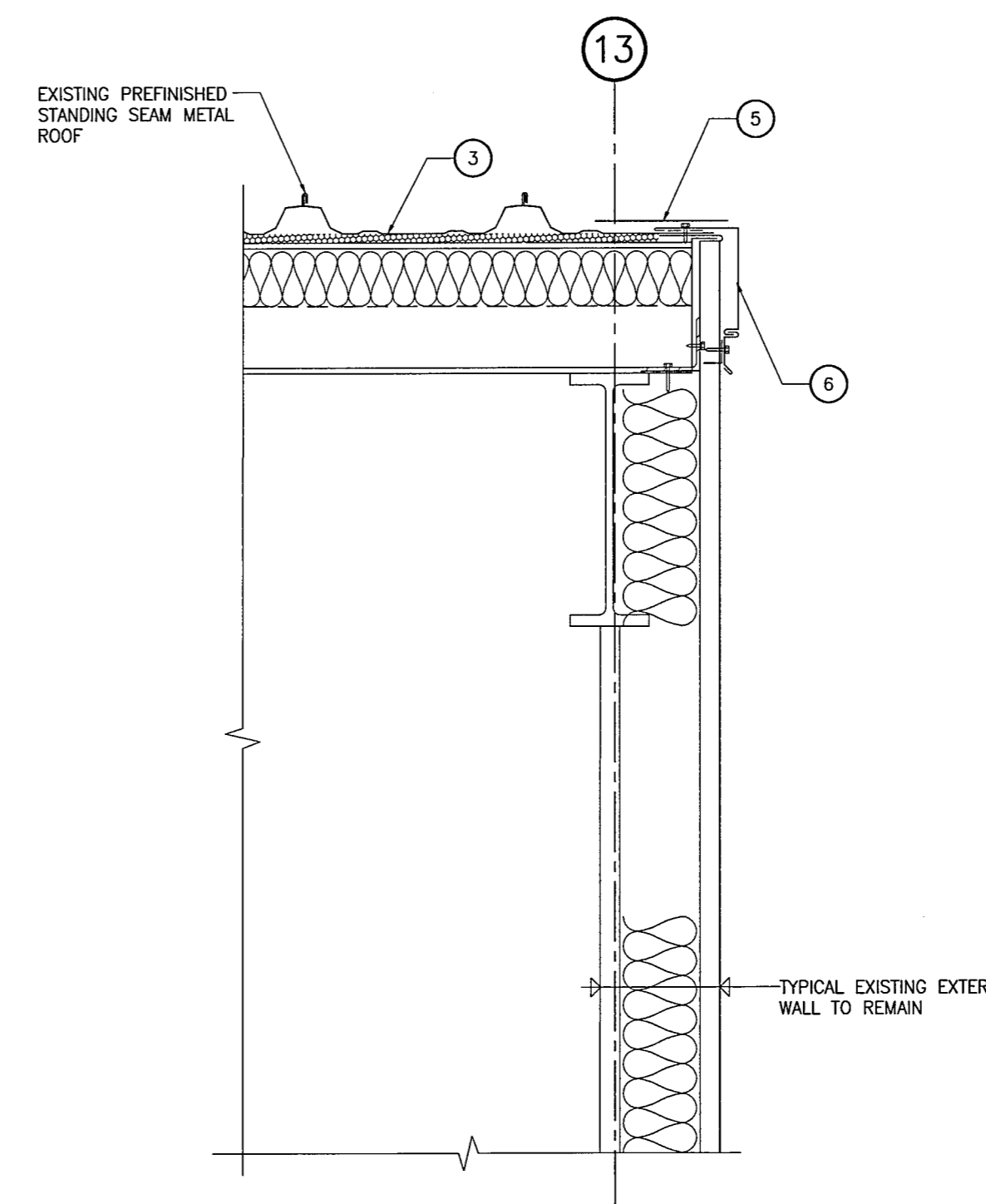


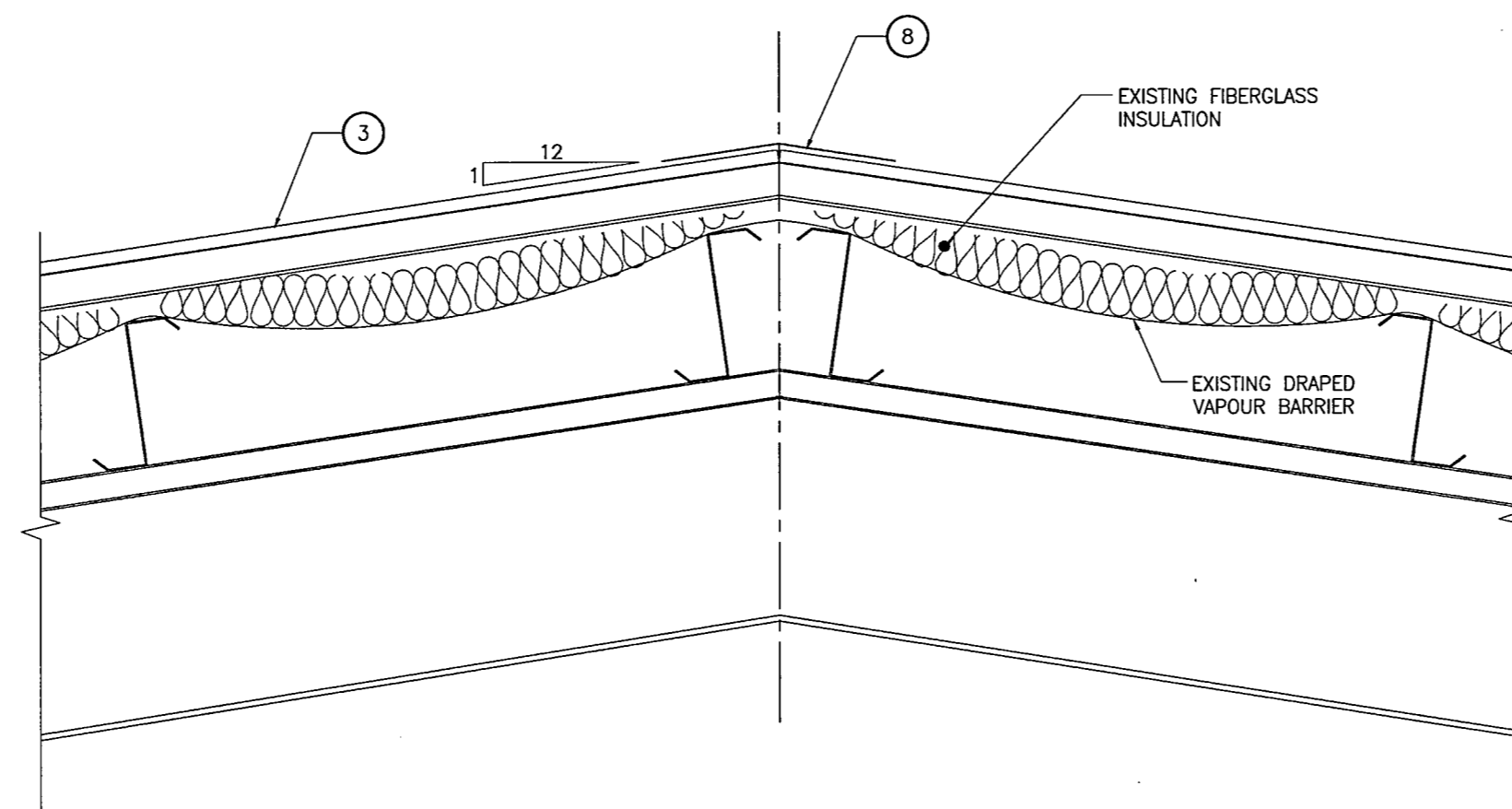
A
B01
PARTIAL EXISTING ROOF PLAN (DEMOLITION)
1/8" = 1'-0"



1
B01
SECTION THRU EXISTING GUTTER (DEMOLITION)
1" = 1'-0"



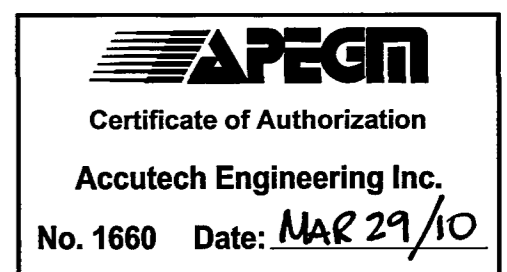
2
B01
SECTION THRU EXISTING EAVES (DEMOLITION)
1" = 1'-0"



3
B01
SECTION THRU EXISTING RIDGE (DEMOLITION)
1" = 1'-0"

DEMOLITION KEYNOTES

- 1 DEMOLISH EXISTING ABANDONED CURB AND CAP.
- 2 EXISTING MECHANICAL UNIT TO REMAIN.
- 3 DEMOLISH EXISTING STANDING SEAM ROOF PANEL, FIBERGLASS INSULATION AND VAPOUR BARRIER, STEEL ROOF GIRTS TO REMAIN.
- 4 DEMOLISH EXISTING GUTTERS AND DOWNSPOUT.
- 5 DEMOLISH EXISTING MBM MEMBRANE.
- 6 DEMOLISH EXISTING EAVE FLASHING.
- 7 REMOVE EXISTING WALKWAY AND SALVAGE FOR REINSTALLATION.
- 8 DEMOLISH EXISTING RIDGE CAP FLASHING.



7				
6				
5				
4				
3				
2				
1	ISSUED FOR TENDER	MIS	PPG	MAR 29 2010
0	ISSUED FOR CLIENT REVIEW	MIS	PPG	MAR 09 2010
REV	DESCRIPTION	DWN	APP	REV DATE

Accutech Engineering Inc.
Tomorrow's Technology Today

605-287 Broadway, Winnipeg, Manitoba Canada R3C 0R9
Phone 204.944.1555 Fax 204.944.1444
www.accutecheng.ca

ENG SEAL ARCH SEAL

PROJECT
CITY OF WINNIPEG
1220 PACIFIC AVE. - ROOF PANEL REPLACEMENT

SHEET TITLE
PARTIAL EXISTING ROOF PLAN DEMOLITION,
EXISTING SECTIONS AND NOTES

DRAWN BY	CHECKED BY	DATE	SHEET NO.
MIS	PPG	MAR 29 2010	B01
DESIGNED BY	CHECKED BY	SCALE	REVISION NO.
PPG	PPG	AS NOTED	1