

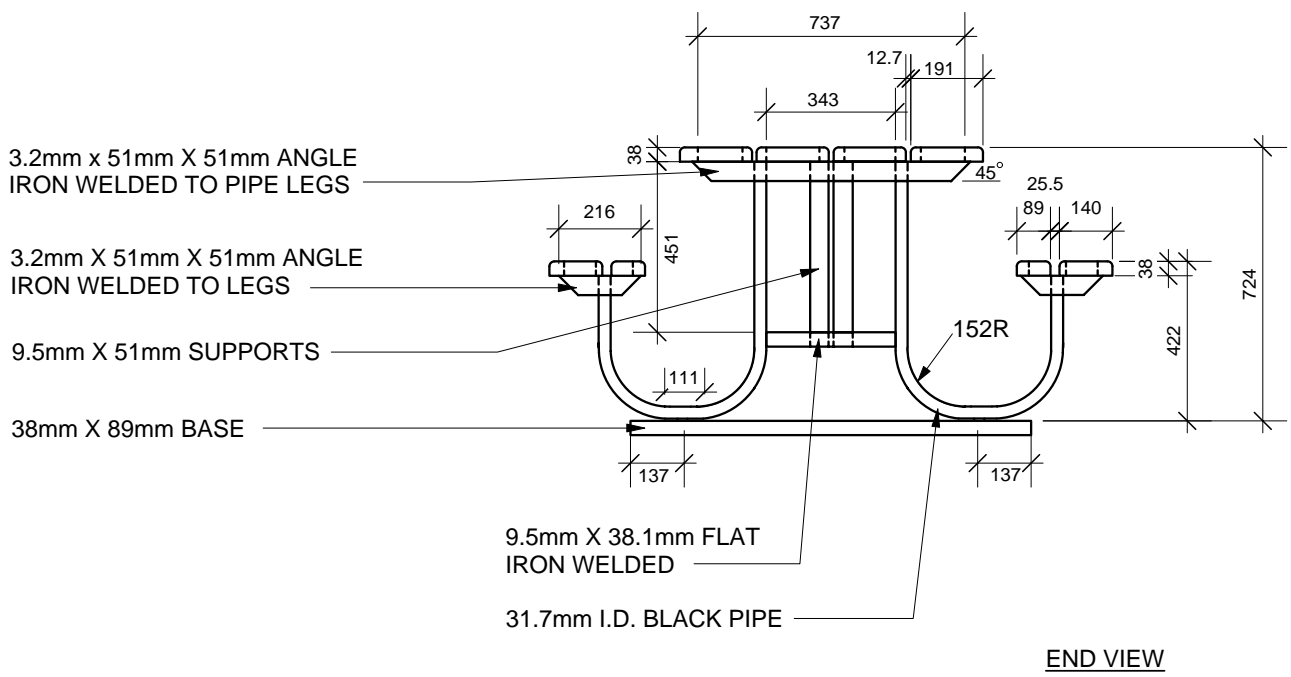
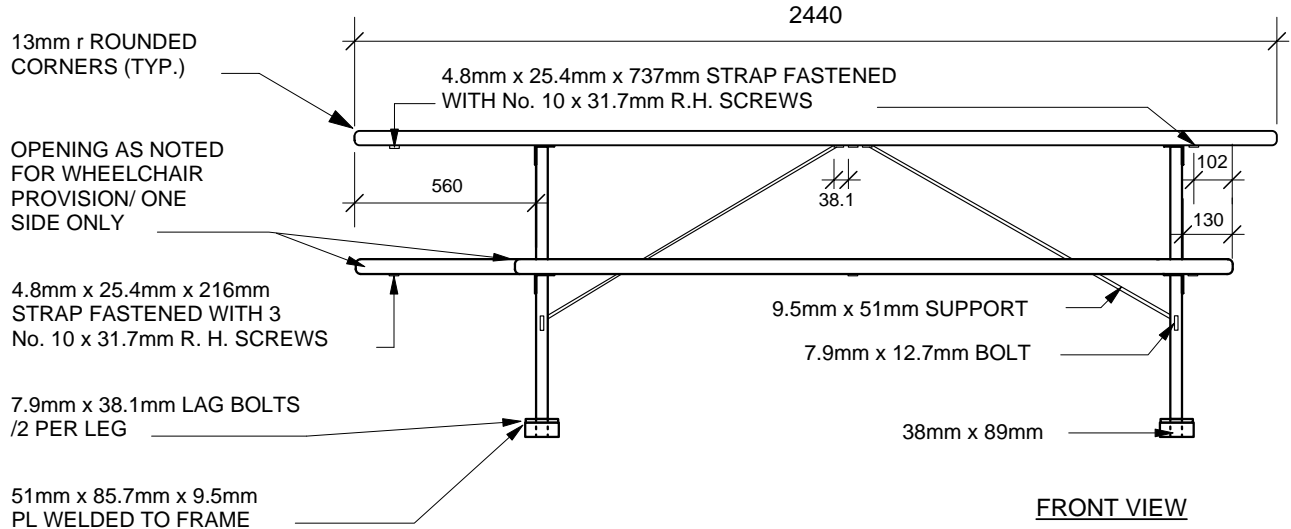
Product # 52501108

Drawing Title:

**TACHE STYLE WHEELCHAIR
METAL FRAME PICNIC TABLE**

Drawing No:

SCD-130A



MATERIALS:

WOOD - VERTICAL GRAIN CLEAR SITCA SPRUCE OR B.C. RED CEDAR.

FINISH - SIKKENS CETOL No. 078 NATURAL

METAL - PRIME WITH RUSTOLEUM No. 769. FINISH WITH SAPOLIN BLACK WROUGHT FINISH.

NOTE:

ALL WOOD TO BE FASTENED TO ANGLE IRONS WITH 7.9mm X 38.1mm LAG BOLTS.

DIMENSIONS SHOWN ARE IN MILLIMETRES UNLESS OTHERWISE SPECIFIED

DATE: July 2002
SCALE: N.T.S.
DRAWN BY: SV

The City of Winnipeg
Planning, Property and Development Department
Planning and Land Use Division
Unit 15 - 30 Fort Street, Winnipeg, MB, R3C 4X5

