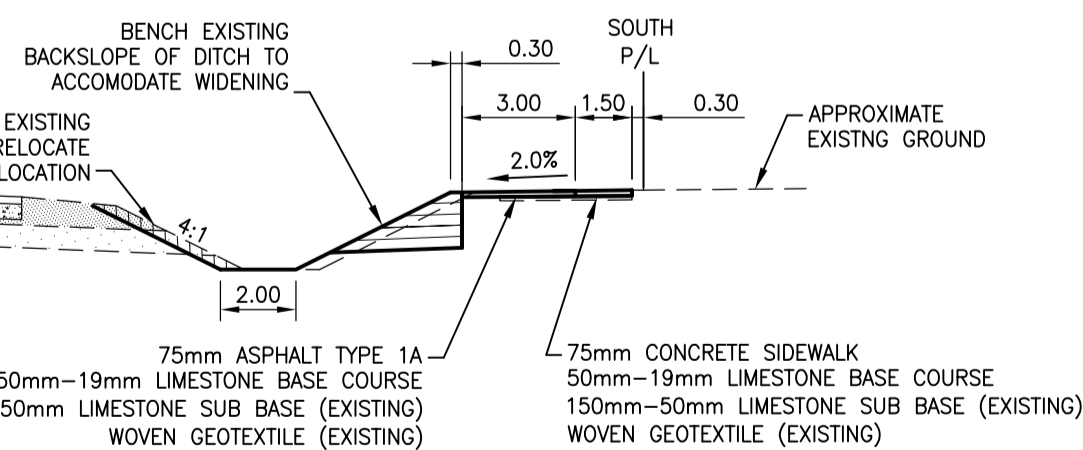
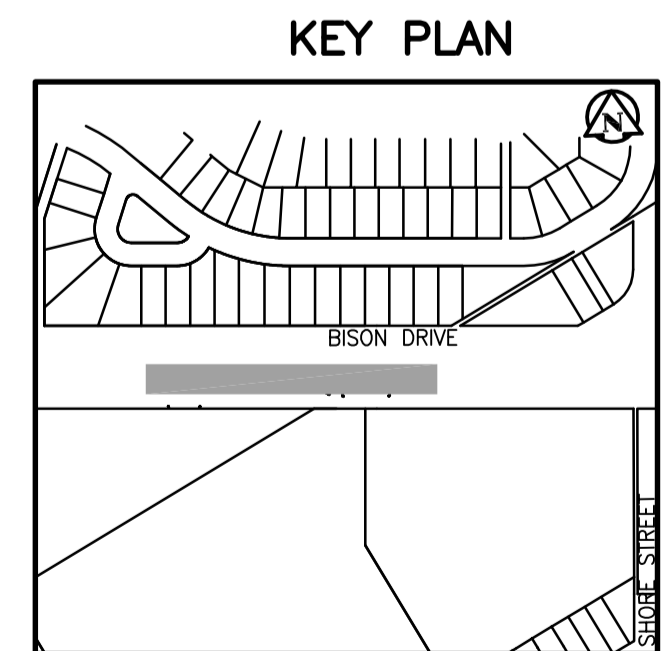


BISON DRIVE (EAST BOUND)



STA 3+05 SECTION  
B C202 1:200H 1:100V

BENCH MARK: N.E. Cor. Markham Rd. & Bison Dr.,  
Tbll. in W. Conc. foundation Waverley Plaza,  
No.1325 Markham Rd., 3.3m N. & 0.1m below  
brick of S.W. Cor. of Bldg.



WARNING

IF POWER EQUIPMENT OR EXPLOSIVES ARE TO BE USED FOR EXCAVATION ON THIS PROJECT THE CONTRACTOR MUST:  
1) NOTIFY THE GAS COMPANY OF THE PROPOSED LOCATION OF EXCAVATION.  
2) TAKE PRECAUTION TO AVOID DAMAGE TO GAS COMPANY INSTALLATIONS.  
SEE PROVINCIAL REGULATION 140/92 FOR DETAILS

METRIC

WHOLE NUMBERS INDICATE MILLIMETRES  
DECIMALIZED NUMBERS INDICATE METRES

LEGEND-PLAN	PROPOSED	EXISTING	LEGEND-PLAN	PROPOSED	EXISTING
150 WM	WATERMAIN	150 WM	HYDRO	150 WM	WATERMAIN
HYDRANT	HYDRANT	M.T.S.	M.T.S.	HYDRANT, VALVE	HYDRANT, VALVE
VALVE	VALVE	CONCRETE	CONCRETE	LAND DRAINAGE SEWER	LAND DRAINAGE SEWER
300 LDS	LAND DRAINAGE SEWER	300 LDS	ASPHALT	WASTE WATER SEWER	WASTE WATER SEWER
250 WWS	WASTE WATER SEWER	250 WWS	SIDWALK	PROPERTY LINE	PROPERTY LINE
MANHOLE	MANHOLE	PROPERTY LINE	PROPERTY LINE	NORTH OR WEST GUTTER	NORTH OR WEST GUTTER
CATCH BASIN	CATCH BASIN	SURVEY BAR	SURVEY BAR	SOUTH OR EAST GUTTER	SOUTH OR EAST GUTTER
CURB INLET	CURB INLET	DITCH	DITCH	NORTH OR WEST DITCH	NORTH OR WEST DITCH
JUNCTIONS	JUNCTIONS	ELEVATION	ELEVATION	SOUTH OR EAST DITCH	SOUTH OR EAST DITCH
CULVERT	CULVERT	SIDWALK RAMP	SIDWALK RAMP	NORTH OR WEST DITCH	NORTH OR WEST DITCH
GAS	GAS	TREE	TREE	SOUTH OR EAST DITCH	SOUTH OR EAST DITCH
EXISTING	LEGEND-PLAN	PROPOSED	EXISTING	LEGEND-PROFILE	PROPOSED

LOCATION APPROVED UNDERGROUND STRUCTURES

SUPV. U/G STRUCTURES COMMITTEE DATE  
NOTE:  
LOCATION OF UNDERGROUND STRUCTURES AS SHOWN ARE BASED ON THE BEST INFORMATION AVAILABLE BUT NO GUARANTEE IS GIVEN THAT ALL EXISTING UTILITIES ARE SHOWN OR THAT THE GIVEN LOCATIONS ARE EXACT. CONFIRMATION OF EXISTENCE AND EXACT LOCATION OF ALL SERVICES MUST BE OBTAINED FROM THE INDIVIDUAL UTILITIES BEFORE PROCEEDING WITH CONSTRUCTION.

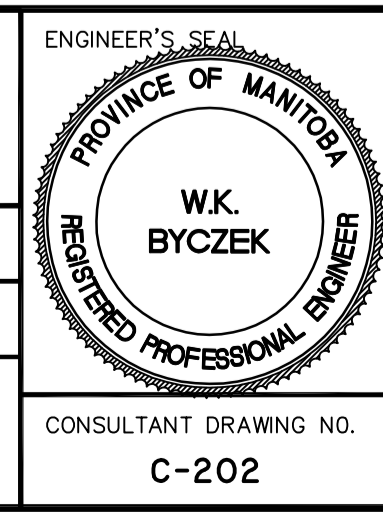
NO.	REVISIONS	DATE	BY
1	ISSUED FOR TENDER	10.03.31	W.K.B.
0	ISSUED FOR REVIEW	10.03.31	W.K.B.

**Stantec Consulting Ltd.**  
905 Waverley Street, Winnipeg, Manitoba  
Tel 204-489-5900 Fax 204-453-9012

DESIGNED BY: W.K.B. CHECKED BY: B.K.  
DRAWN BY: R.V. APPROVED BY: W.K.B.

HOR. SCALE: 1:250  
VERTICAL: 1:10

RELEASED FOR CONSTRUCTION: DATE  
DATE: 10.02.04



**THE CITY OF WINNIPEG**  
PUBLIC WORKS DEPARTMENT  
ENGINEERING DIVISION

2010 AT INFRASTRUCTURE STIMULUS PROGRAM  
BISON DRIVE BIKEWAY  
BARNES STREET TO PEMBINA HIGHWAY  
STA 3+00 TO STA 4+25

SHEET 3 OF 6  
CAD FILE DRAWING NUMBER 05260C-201.dwg  
CITY DRAWING NUMBER W-374-03

V:\1137\winnipeg\11370260\winnipeg\02\_design\sheet\_line\CONTRACT\_1\0260c-201.dwg  
2010-03-31 03:38PM By: tpj