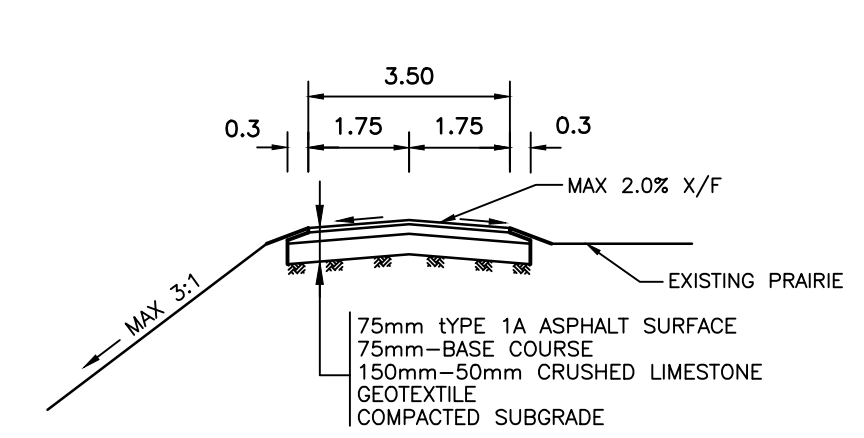


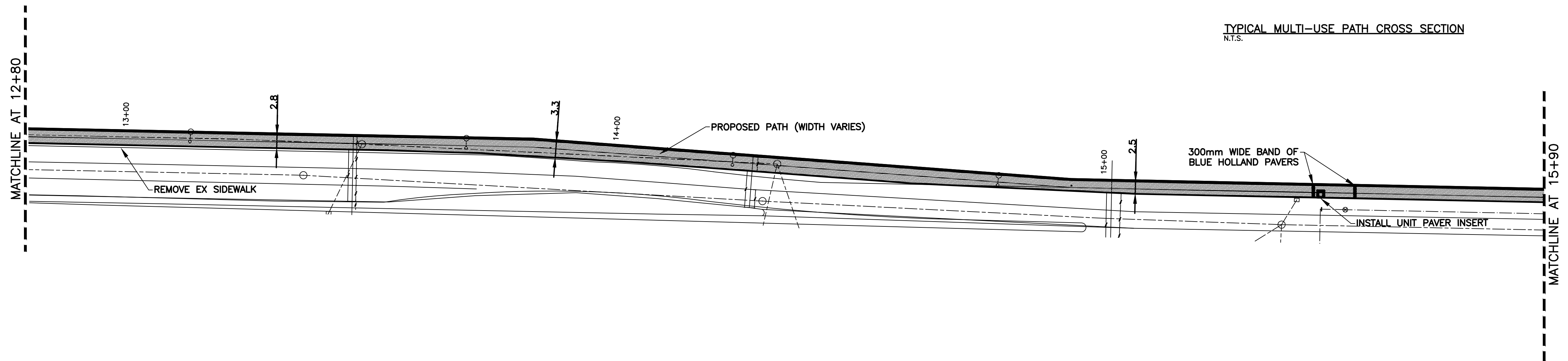
CHAINAGE ALONG
CENTER OF PATH
ARCHIBALD STREET

NOTES:

1. LOCATION OF PATHWAY, DITCHES, BOULEVARD, AND CULVERTS TO BE FINALIZED IN THE FIELD BY CONTRACT ADMINISTRATOR
2. CONTRACTOR TO TAKE PRECAUTIONARY STEPS TO AVOID DAMAGE FROM CONSTRUCTION ACTIVITIES TO TREES WITHIN THE LIMITS OF CONSTRUCTION
3. REGRADEING OF EXISTING DITCHES TO BE DIRECTED BY CONTRACT ADMINISTRATOR
4. RENEWAL OF EXISTING APPROACHES, PAVEMENT, CURBS, SIDEWALKS, CULVERTS, DITCHES AND BOULEVARD TO BE DIRECTED BY CONTRACT ADMINISTRATOR



TYPICAL MULTI-USE PATH CROSS SECTION
N.T.S.



METRIC
WHOLE NUMBERS INDICATE MILLIMETRES
DECIMALIZED NUMBERS INDICATE METRES

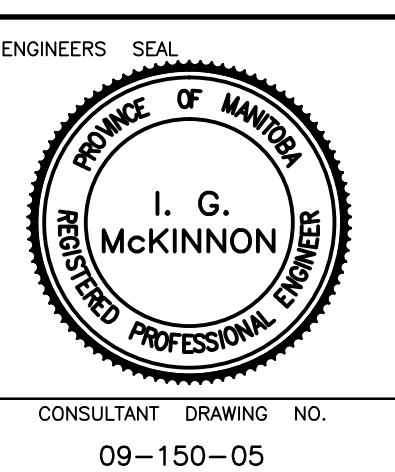


---	WATERMAIN	---	HYDRO	---	CENTER LINE	---
⊕	HYDRANT	⊕	M.T.S.	---	NORTH GUTTER LINE	---
⊙	VALVE	⊙	CONCRETE	---	SOUTH GUTTER LINE	---
---	LAND DRAINAGE SEWER	---	ASPHALT	---	WATERMAIN	---
---	WASTE WATER SEWER	---	PROPERTY LINE	---	VALVE	---
○	MANHOLE	⊕	SURVEY BAR	⊕	LAND DRAINAGE SEWER	---
□	CATCH BASIN	⊕	CURB STOP	⊕	WASTE WATER SEWER	---
△	CURB INLET	⊕	C.B. LEAD	---	JUNCTIONS	---
---	TRAFFIC SIGNAL	---	SIDEWALK	---	CULVERT	---
---	STEAM HT.	---	SIDEWALK RAMP	---	ASPH./CONC. PAD	---
---	GAS	---	ELEVATIONS	32.55	GARAGE PAD	---
---	EXISTING	---	LEGEND - PLAN	---	LEGEND - PROFILE	---
---	LEGEND - PLAN	---	PROPOSED	---	PROPOSED	---

LOCATION APPROVED			
SUPV. U/G STRUCTURES	DATE		
COMMITTEE			
NOTE: LOCATION OF UNDERGROUND STRUCTURES AS SHOWN ARE BASED ON THE BEST INFORMATION AVAILABLE BUT NO GUARANTEE IS GIVEN THAT ALL EXISTING UTILITIES ARE SHOWN OR THAT THE GIVEN LOCATIONS ARE EXACT. CONFIRMATION OF EXISTENCE AND EXACT LOCATION OF ALL SERVICES MUST BE OBTAINED FROM THE INDIVIDUAL UTILITIES BEFORE PROCEEDING WITH CONSTRUCTION.			
NO.	REVISIONS	DATE	BY

GENIVAR
10 PRAIRIE WAY WINNIPEG, MANITOBA R2J 3J8
PH: (204)-477-8650 FAX: (204)-474-2864

DESIGNED BY: MBS	CHECKED BY: SM
DRAWN BY: MBS	APPROVED BY: IMcK
HOR. SCALE: 1:500	RELEASED FOR CONSTRUCTION
VERT. SCALE: 1:50	DATE: JUNE 2010



Winnipeg **THE CITY OF WINNIPEG**
PUBLIC WORKS DEPARTMENT

**2010 ACTIVE TRANSPORTATION
INFRASTRUCTURE STIMULUS FUND
ARCHIBALD MULTI-USE PATH**

FROM MATCHLINE AT STATION 12+80
TO MATCHLINE AT STATION 15+90

CITY DRAWING NO. N/A
SHEET 5 OF 8
TENDER NO. 272-2010