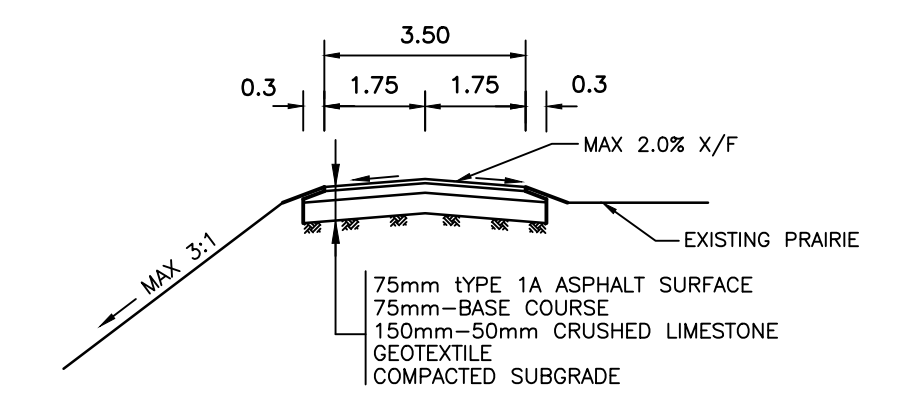
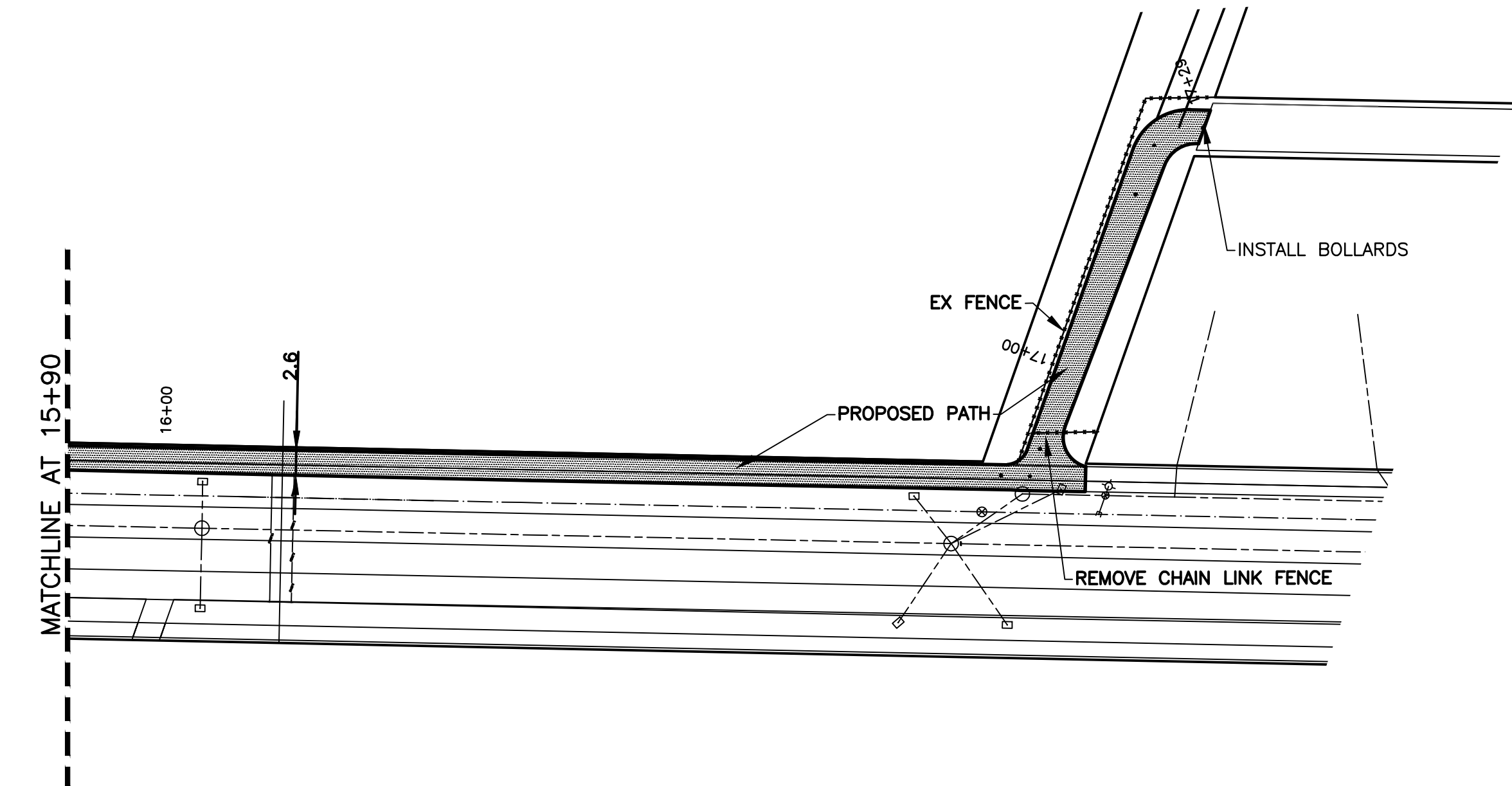
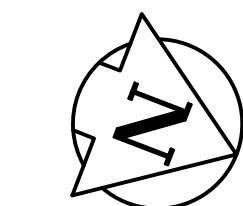


CHAINAGE ALONG  
CENTER OF PATH  
**ARCHIBALD STREET**

**NOTES:**

1. LOCATION OF PATHWAY, DITCHES, BOULEVARD, AND CULVERTS TO BE FINALIZED IN THE FIELD BY CONTRACT ADMINISTRATOR
2. CONTRACTOR TO TAKE PRECAUTIONARY STEPS TO AVOID DAMAGE FROM CONSTRUCTION ACTIVITIES TO TREES WITHIN THE LIMITS OF CONSTRUCTION
3. REGRADEING OF EXISTING DITCHES TO BE DIRECTED BY CONTRACT ADMINISTRATOR
4. RENEWAL OF EXISTING APPROACHES, PAVEMENT, CURBS, SIDEWALKS, CULVERTS, DITCHES AND BOULEVARD TO BE DIRECTED BY CONTRACT ADMINISTRATOR



TYPICAL MULTI-USE PATH CROSS SECTION  
N.T.S.

METRIC  
WHOLE NUMBERS INDICATE MILLIMETRES  
DECIMALIZED NUMBERS INDICATE METRES



	WATERMAIN		HYDRO		CENTER LINE
	HYDRANT		M.T.S.		NORTH GUTTER LINE
	VALVE		CONCRETE		SOUTH GUTTER LINE
	LAND DRAINAGE SEWER		ASPHALT		WATERMAIN
	WASTE WATER SEWER		PROPERTY LINE		VALVE
	MANHOLE		SURVEY BAR		LAND DRAINAGE SEWER
	CATCH BASIN		CURB STOP		WASTE WATER SEWER
	CURB INLET		C.B. LEAD		JUNCTIONS
	TRAFFIC SIGNAL		SIDEWALK		CULVERT
	STEAM HT.		SIDEWALK RAMP		ASPH./CONC. PAD
	GAS		ELEVATIONS		GARAGE PAD
	EXISTING		PROPOSED		EXISTING
	LEGEND - PLAN		LEGEND - PROFILE		PROPOSED

LOCATION APPROVED		NO. REVISIONS		DATE		BY	
SUPV. U/G STRUCTURES COMMITTEE DATE NOTE: LOCATION OF UNDERGROUND STRUCTURES AS SHOWN ARE BASED ON THE BEST INFORMATION AVAILABLE BUT NO GUARANTEE IS GIVEN THAT ALL EXISTING UTILITIES ARE SHOWN OR THAT THE GIVEN LOCATIONS ARE EXACT. CONFIRMATION OF EXISTENCE AND EXACT LOCATION OF ALL SERVICES MUST BE OBTAINED FROM THE INDIVIDUAL UTILITIES BEFORE PROCEEDING WITH CONSTRUCTION.							

**GENIVAR**  
10 PRAIRIE WAY WINNIPEG, MANITOBA R2J 3J8  
PH: (204)-477-8650 FAX: (204)-474-2864

DESIGNED BY	MBS	CHECKED BY	SM
DRAWN BY	MBS	APPROVED BY	IMcK
HOR. SCALE:	1:500	RELEASED FOR CONSTRUCTION	
VERT. SCALE:	1:50	DATE	JUNE 2010

ENGINEERS SEAL  
  
 I. G. MCKINNON  
 CONSULTANT DRAWING NO. 09-150-06

Winnipeg  
**THE CITY OF WINNIPEG**  
 PUBLIC WORKS DEPARTMENT

2010 ACTIVE TRANSPORTATION  
 INFRASTRUCTURE STIMULUS FUND  
**ARCHIBALD MULTI-USE PATH**  
 FROM MATCHLINE AT STATION 15+90  
 TO BACKLANE WEST OF ARCHIBALD

CITY DRAWING NO.	N/A
SHEET	6 OF 8
TENDER NO.	272-2010