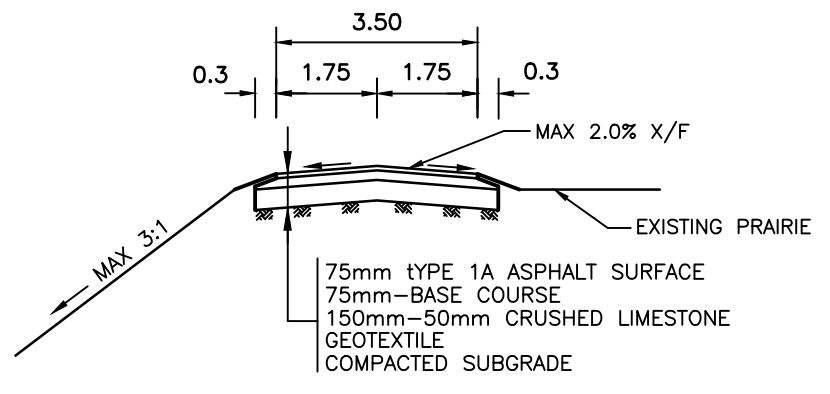
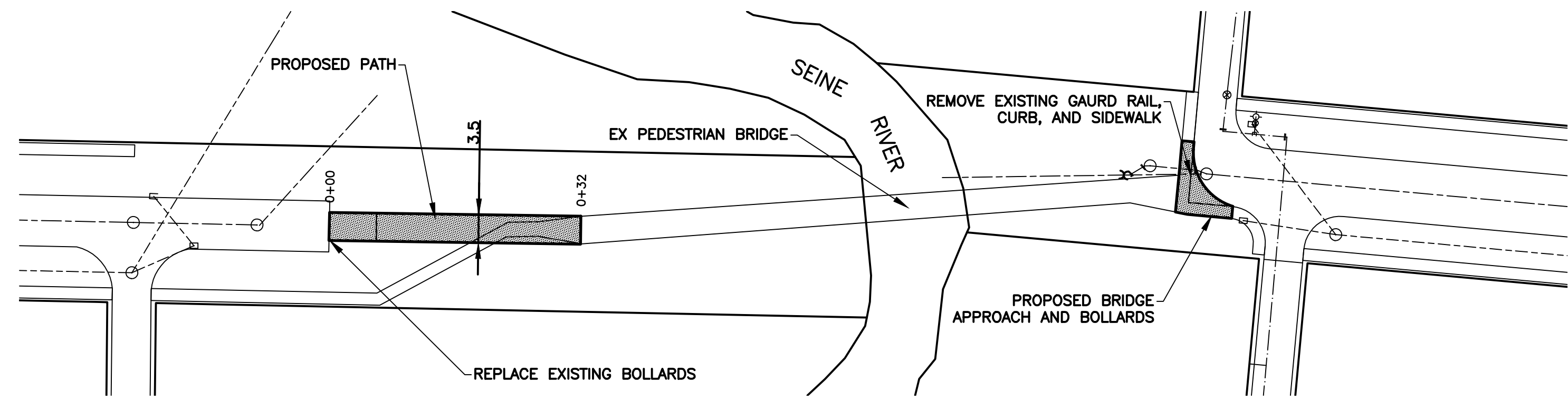
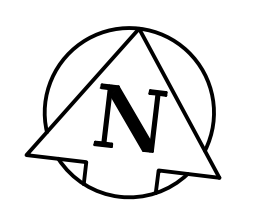


- NOTES:**
1. LOCATION OF PATHWAY, DITCHES, BOULEVARD, AND CULVERTS TO BE FINALIZED IN THE FIELD BY CONTRACT ADMINISTRATOR
 2. CONTRACTOR TO TAKE PRECAUTIONARY STEPS TO AVOID DAMAGE FROM CONSTRUCTION ACTIVITIES TO TREES WITHIN THE LIMITS OF CONSTRUCTION
 3. REGRADEING OF EXISTING DITCHES TO BE DIRECTED BY CONTRACT ADMINISTRATOR
 4. RENEWAL OF EXISTING APPROACHES, PAVEMENT, CURBS, SIDEWALKS, CULVERTS, DITCHES AND BOULEVARD TO BE DIRECTED BY CONTRACT ADMINISTRATOR

CHAINAGE ALONG CENTER OF PATH

EDGEWOD STREET **TREMBLAY STREET**



METRIC
WHOLE NUMBERS INDICATE MILLIMETRES
DECIMALIZED NUMBERS INDICATE METRES

TYPICAL MULTI-USE PATH CROSS SECTION
N.T.S.



WATERMAIN 	HYDRANT 	VALVE 	LAND DRAINAGE SEWER 	WASTE WATER SEWER 	MANHOLE 	CATCH BASIN 	CURB INLET 	TRAFFIC SIGNAL 	STEAM HT. 	GAS 	EXISTING 	LEGEND - PLAN 	PROPOSED 	HYDRO M.T.S. 	CONCRETE 	ASPHALT 	PROPERTY LINE 	SURVEY BAR 	CURB STOP 	C.B. LEAD 	SIDEWALK 	SIDEWALK RAMP 	ELEVATIONS 	EXISTING 	LEGEND - PLAN 	PROPOSED 	CENTER LINE 	NORTH GUTTER LINE 	SOUTH GUTTER LINE 	WATERMAIN 	VALVE 	LAND DRAINAGE SEWER 	WASTE WATER SEWER 	JUNCTIONS 	CULVERT 	ASPH./CONC. PAD 	GARAGE PAD 	EXISTING 	LEGEND - PROFILE 	PROPOSED
---------------	-------------	-----------	-------------------------	-----------------------	-------------	-----------------	----------------	--------------------	---------------	---------	--------------	-------------------	--------------	---------------------	--------------	-------------	-------------------	----------------	---------------	---------------	--------------	-------------------	----------------	--------------	-------------------	--------------	-----------------	-----------------------	-----------------------	---------------	-----------	-------------------------	-----------------------	---------------	-------------	---------------------	----------------	--------------	----------------------	--------------

LOCATION APPROVED

SUPV. U/G STRUCTURES COMMITTEE	DATE

NOTE:
LOCATION OF UNDERGROUND STRUCTURES AS SHOWN ARE BASED ON THE BEST INFORMATION AVAILABLE BUT NO GUARANTEE IS GIVEN THAT ALL EXISTING UTILITIES ARE SHOWN OR THAT THE GIVEN LOCATIONS ARE EXACT. CONFIRMATION OF EXISTENCE AND EXACT LOCATION OF ALL SERVICES MUST BE OBTAINED FROM THE INDIVIDUAL UTILITIES BEFORE PROCEEDING WITH CONSTRUCTION.

GENIVAR
10 PRAIRIE WAY WINNIPEG, MANITOBA R2J 3J8
PH: (204)-477-8650 FAX: (204)-474-2864

DESIGNED BY: MBS	CHECKED BY: SM
DRAWN BY: MBS	APPROVED BY: IMcK
HOR. SCALE: 1:500	RELEASED FOR CONSTRUCTION
VERT. SCALE: 1:50	DATE: JUNE 2010

ENGINEERS SEAL

 I. G. MCKINNON
 REGISTERED PROFESSIONAL ENGINEER

THE CITY OF WINNIPEG
PUBLIC WORKS DEPARTMENT

2010 ACTIVE TRANSPORTATION INFRASTRUCTURE STIMULUS FUND
ARCHIBALD MULTI-USE PATH
TREMBLAY-EDGEWOOD PEDESTRIAN BRIDGE

CITY DRAWING NO. N/A
SHEET 8 OF 8
TENDER NO. 272-2010

ACAD 2007