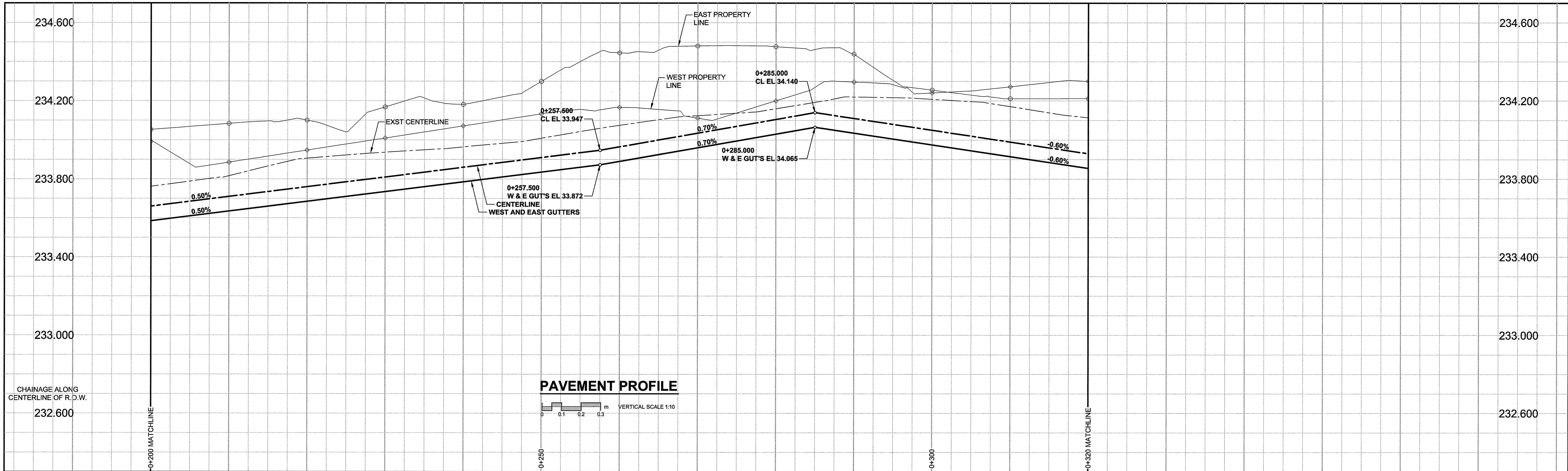
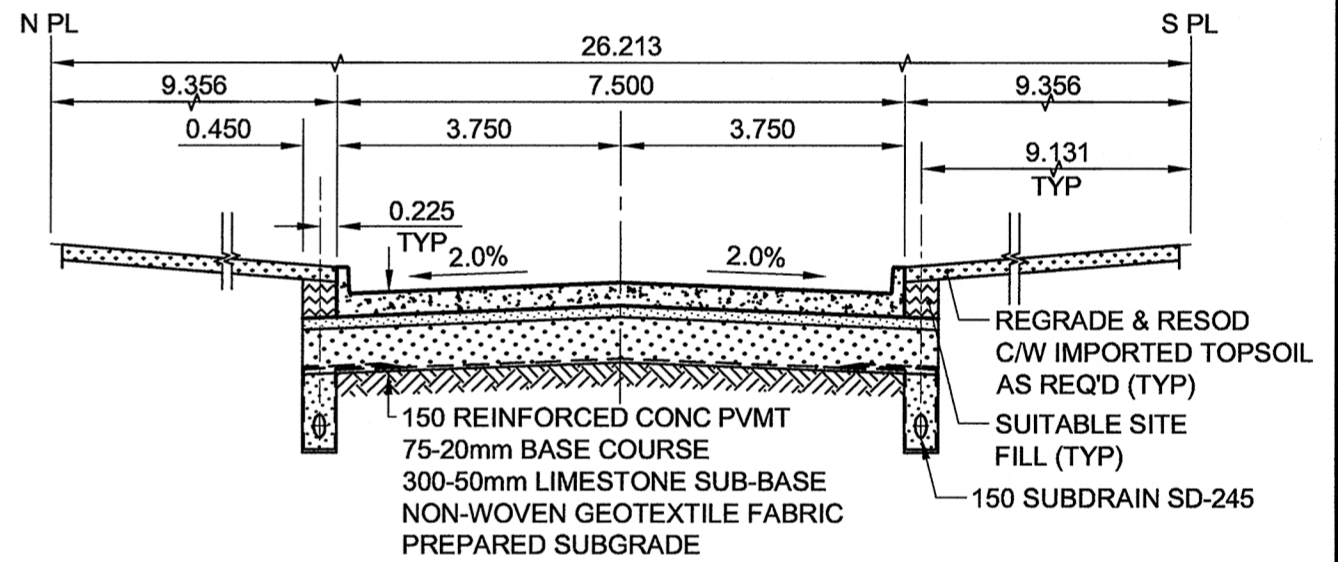
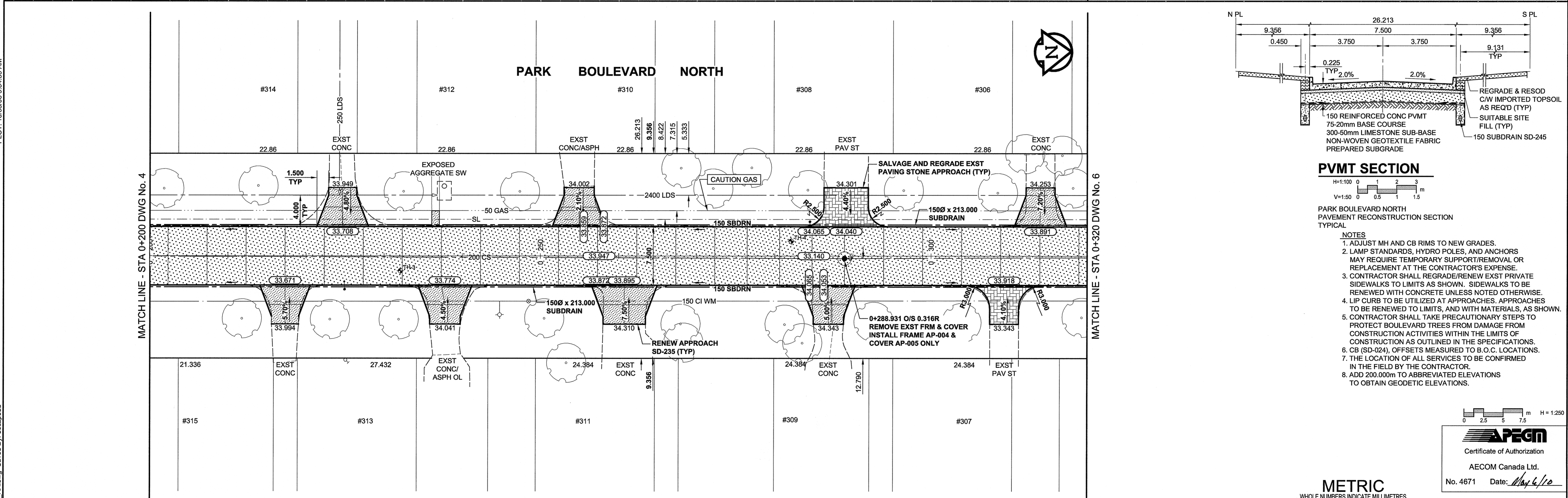


A1 SIZE 23.4" x 33.1" (594mm x 841mm)



PLOT: 10/05/06 9:34:59 AM



- NOTES**
- ADJUST MH AND CB RIMS TO NEW GRADES.
  - LAMP STANDARDS, HYDRO POLES, AND ANCHORS MAY REQUIRE TEMPORARY SUPPORT/REMOVAL OR REPLACEMENT AT THE CONTRACTOR'S EXPENSE.
  - CONTRACTOR SHALL REGRADE/RENEW EXST PRIVATE SIDEWALKS TO LIMITS AS SHOWN. SIDEWALKS TO BE RENEWED WITH CONCRETE UNLESS NOTED OTHERWISE.
  - LIP CURB TO BE UTILIZED AT APPROACHES. APPROACHES TO BE RENEWED TO LIMITS, AND WITH MATERIALS, AS SHOWN.
  - CONTRACTOR SHALL TAKE PRECAUTIONARY STEPS TO PROTECT BOULEVARD TREES FROM DAMAGE FROM CONSTRUCTION ACTIVITIES WITHIN THE LIMITS OF CONSTRUCTION AS OUTLINED IN THE SPECIFICATIONS.
  - CB (SD-024), OFFSETS MEASURED TO B.O.C. LOCATIONS.
  - THE LOCATION OF ALL SERVICES TO BE CONFIRMED IN THE FIELD BY THE CONTRACTOR.
  - ADD 200.000m TO ABBREVIATED ELEVATIONS TO OBTAIN GEODETIC ELEVATIONS.

**APEGM**

Certificate of Authorization

AECOM Canada Ltd.

No. 4671 Date: May 6/10

METRIC

WHOLE NUMBERS INDICATE MILLIMETRES  
DECIMALIZED NUMBERS INDICATE METRES

	GAS		MANHOLE
	MTS		CATCH BASIN / CATCH PIT
	HYDRO		CURB INLET WITH BOX
	CATV/FO		TREE
	TRAFFIC SIGNALS/PIT		TEST HOLE
	LAND DRAINAGE SEWER		PROPERTY LINE
	SANITARY/COMBINED SEWER		SURVEY BAR
	SSP/DCP		FENCE
	WATERMAIN		BOC/EOPAVT
	SUBDRAIN		ELEVATION (33.100)
	DITCH		TRAFFIC SIGN
	EXISTING		LEGEND - PLAN
	NEW		LEGEND - PLAN

	CONCRETE PAVEMENT
	ASPHALT PAVEMENT
	CONC. SIDEWALK/MEDIAN
	PAVING STONE
	GRAVEL
	RAMP CURB
	PLANING/REMOVAL
	LOCATION APPROVED
	UNDERGROUND STRUCTURES

NOTE: LOCATION OF UNDERGROUND STRUCTURES AS SHOWN ARE BASED ON THE BEST INFORMATION AVAILABLE. BUT NO GUARANTEE IS GIVEN THAT ALL EXISTING UTILITIES ARE SHOWN OR THAT THE GIVEN LOCATIONS ARE EXACT. CONFIRMATION OF EXISTENCE AND EXACT LOCATION OF ALL SERVICES MUST BE OBTAINED FROM THE INDIVIDUAL UTILITIES BEFORE PROCEEDING WITH CONSTRUCTION.

BM 37-84R523 ELEV 233.773
ISSUED FOR CONSTRUCTION 10/05/06 DID
NO. REVISIONS YYMM/DD BY

**AECOM**

DESIGNED BY RPB CHECKED BY JGK

DRAWN BY DID APPROVED BY TGS

HOR. SCALE 1:250  
VERT. SCALE 1:10

RELEASED FOR CONSTRUCTION  
DATE May 6/10

CONSULTANT DRAWING NO. 060143720\_02-CT1005\_RX.dwg

PROFESSIONAL'S SEAL

PROVINCE OF MANITOBA  
R. P. BRUCE  
REGISTERED PROFESSIONAL ENGINEER

**THE CITY OF WINNIPEG**

PUBLIC WORKS DEPARTMENT  
ENGINEERING DIVISION

2010 LOCAL STREET  
RENEWAL PROGRAM  
PARK BOULEVARD  
CUTHBERTSON AVENUE TO CORYDON AVENUE  
HORIZONTAL AND VERTICAL ALIGNMENT  
STA 0+200 TO STA 0+320

CITY DRAWING NUMBER N/A  
SHEET 5 OF 6

DRAWING No. 5 REV 0

BID OPPORTUNITY NO. 279-2010