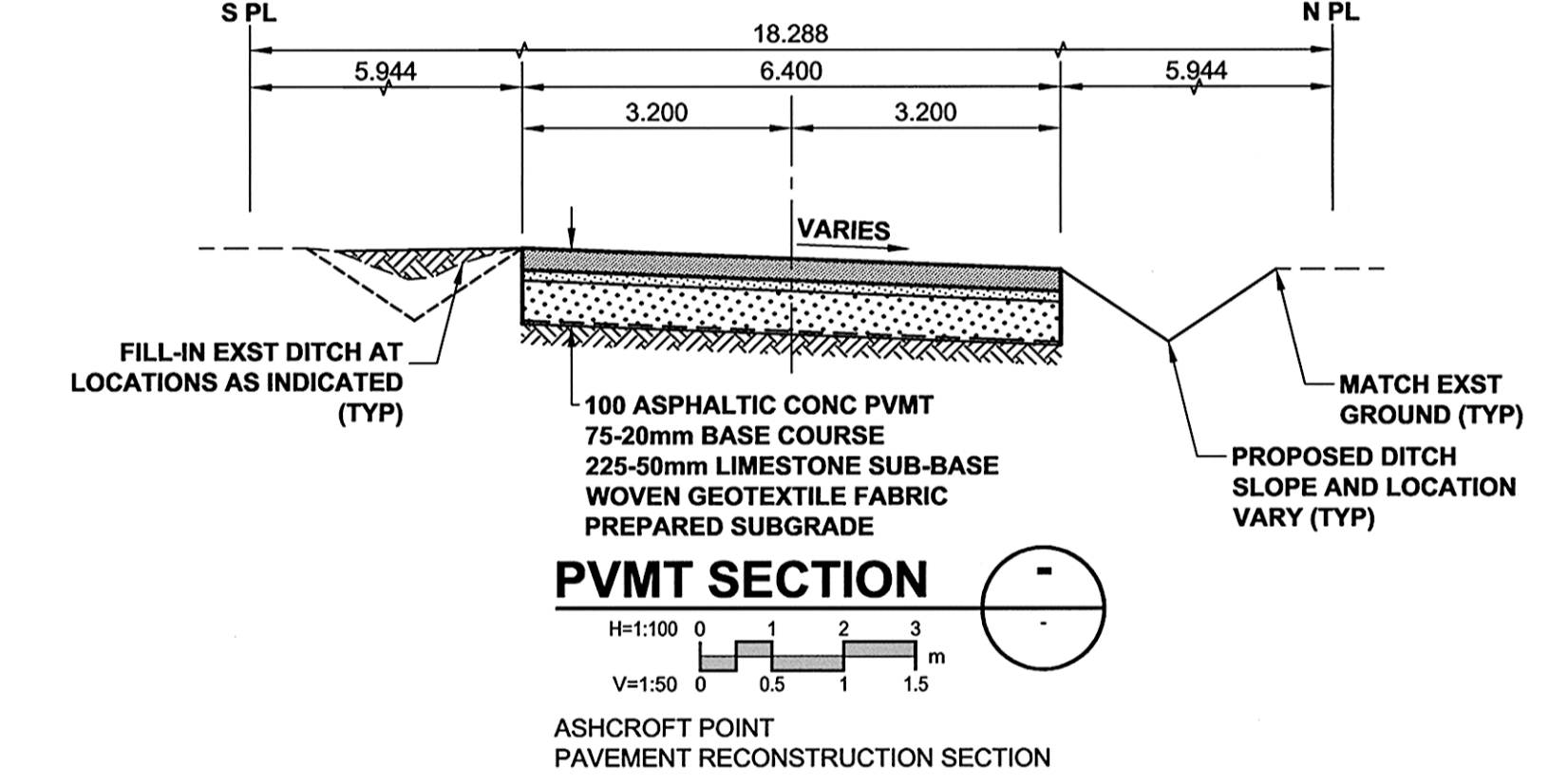
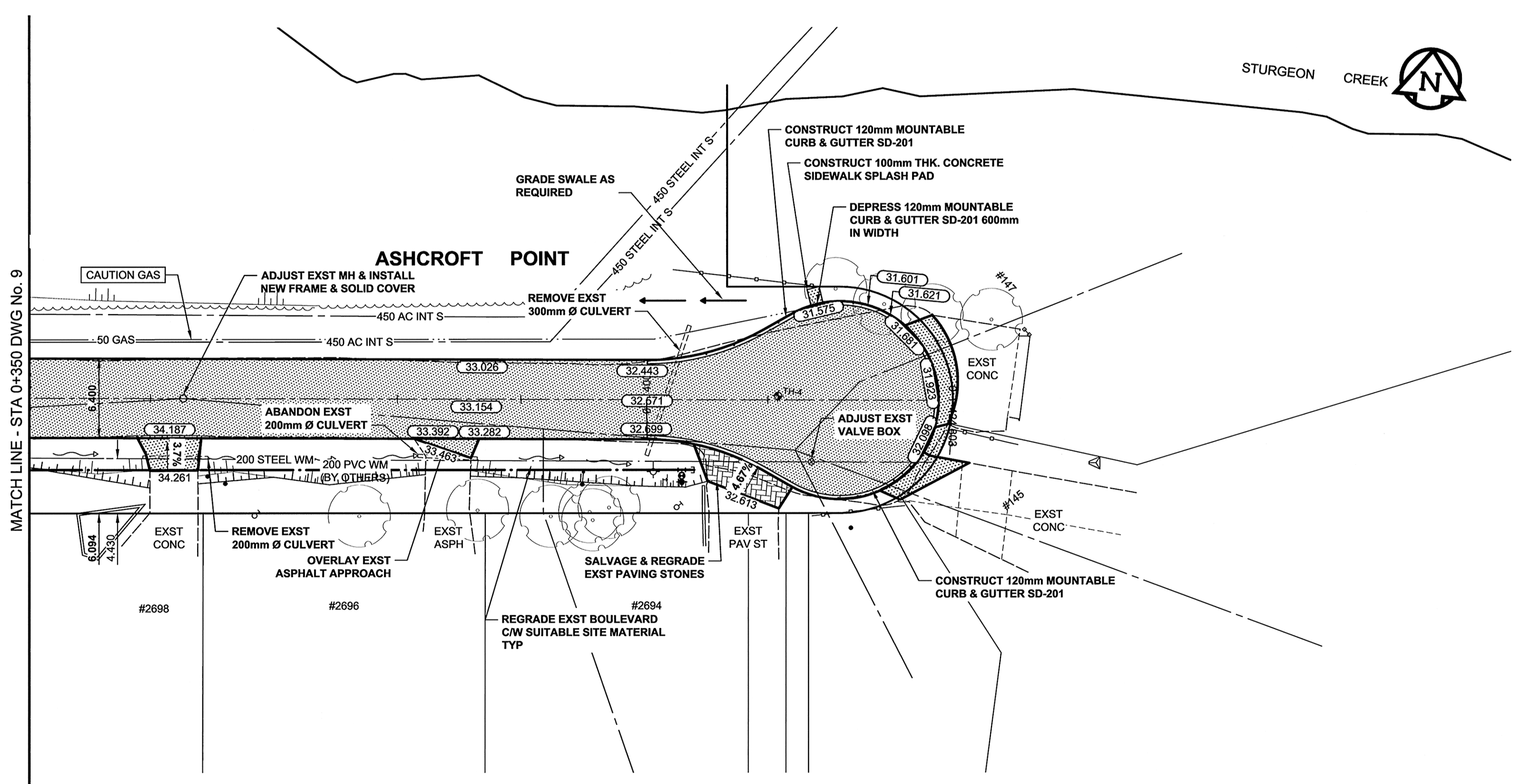
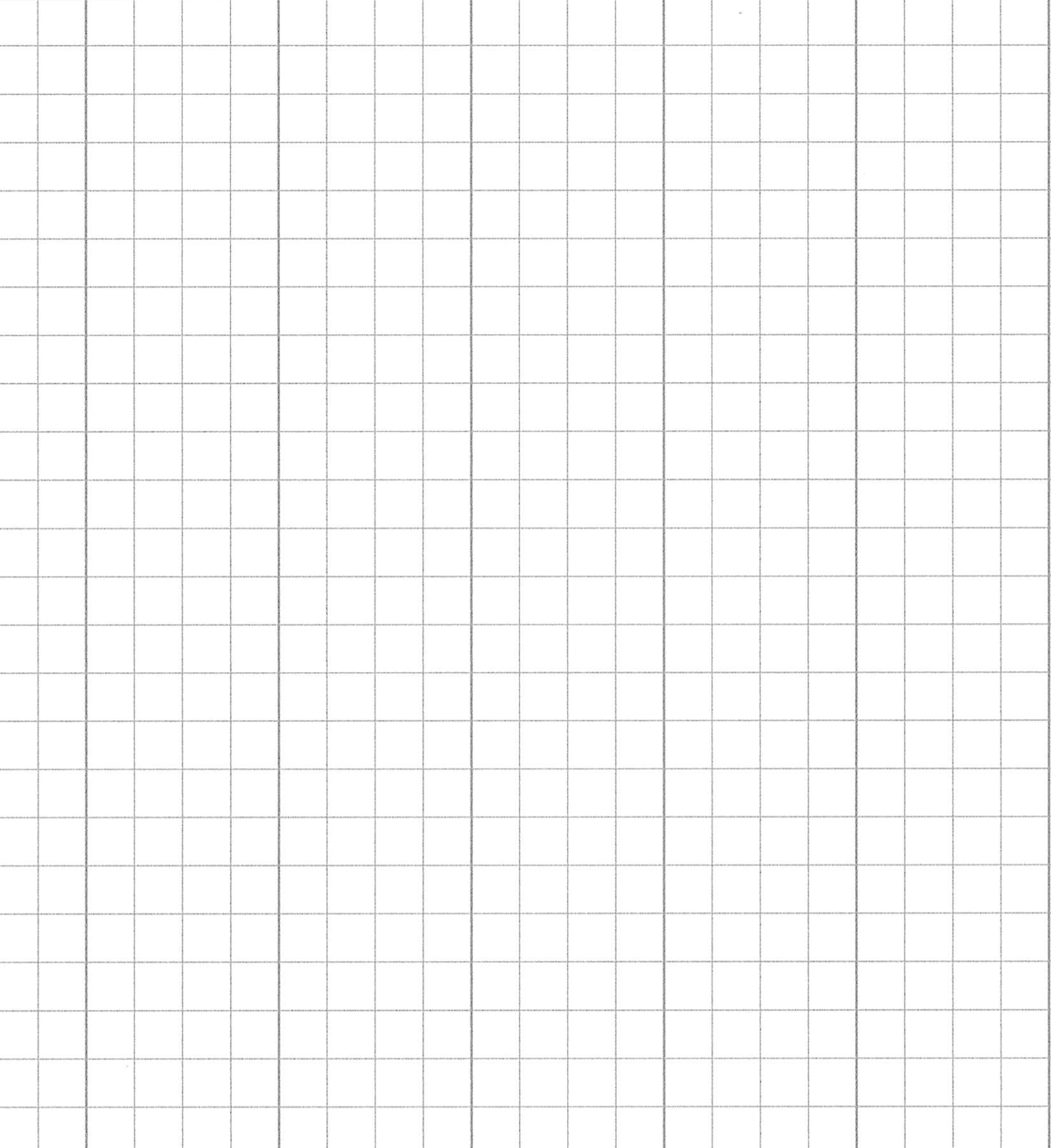
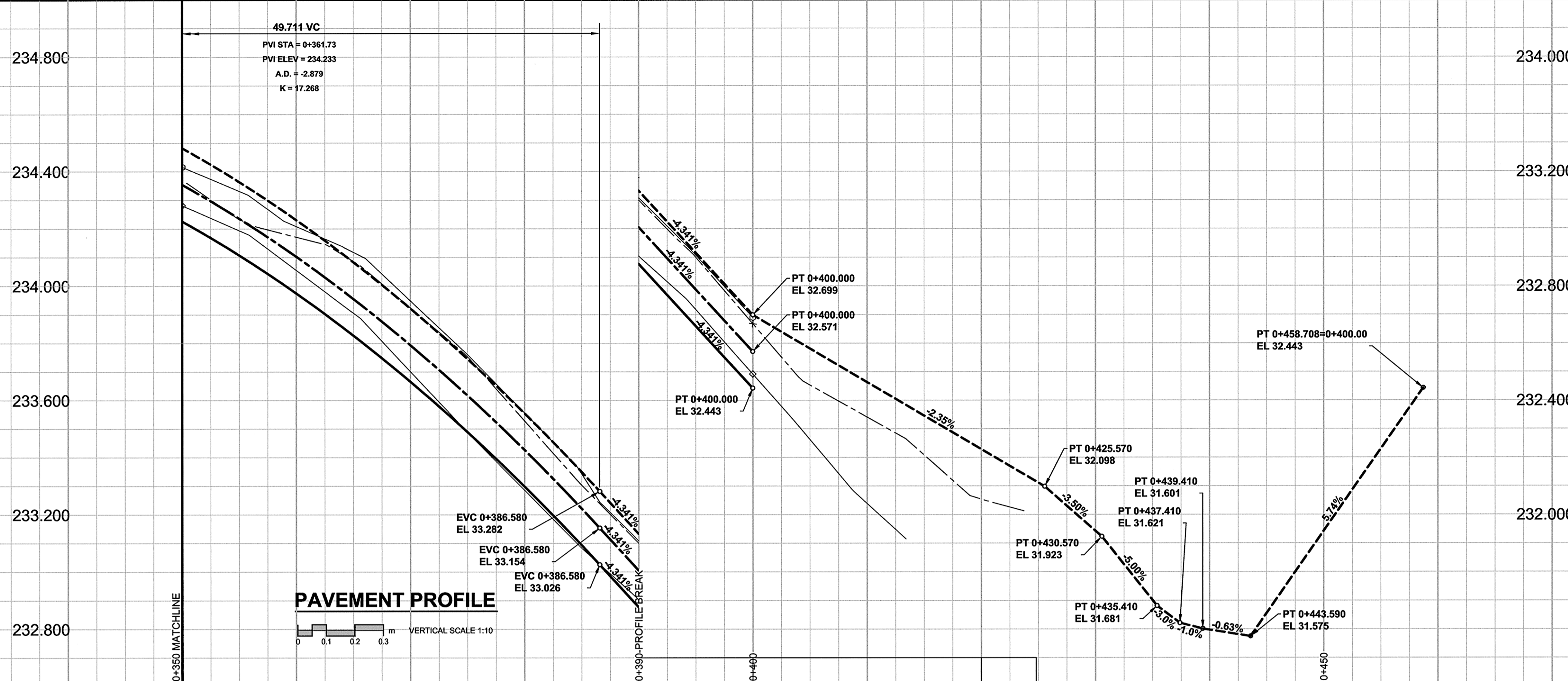


A1 SIZE 23.4" x 33.1" (594mm x 841mm)

PLOT: 10/04/28 12:28:30 PM

AECOM FILE NAME: 060144310_05-CT1010_RX.dwg Saved By: dsszpdd



- NOTES**
- ADJUST MH AND CB RIMS TO NEW GRADES.
 - LAMP STANDARDS, HYDRO POLES, AND ANCHORS MAY REQUIRE TEMPORARY SUPPORT/REMOVAL OR REPLACEMENT AT THE CONTRACTOR'S EXPENSE.
 - THE LOCATION OF ALL SERVICES TO BE CONFIRMED IN THE FIELD BY THE CONTRACTOR.
 - ADD 200.000m TO ABBREVIATED ELEVATIONS TO OBTAIN GEODETIC ELEVATIONS.

AECOM
 Certificate of Authorization
 AECOM Canada Ltd.
 No. 4671 Date: *Apr 28/10*

METRIC
 WHOLE NUMBERS INDICATE MILLIMETRES
 DECIMALIZED NUMBERS INDICATE METRES

THE CITY OF WINNIPEG
PUBLIC WORKS DEPARTMENT
ENGINEERING DIVISION

2010 LOCAL STREET RENEWAL PROGRAM
ASSINIBOINE AVENUE
GLENDALE BOULEVARD TO ASHCROFT POINT
 HORIZONTAL AND VERTICAL ALIGNMENT
 STA 0+350 TO STA 0+424.803

CITY DRAWING NUMBER: N/A
 SHEET 10 OF 10
 DRAWING No. 10 REV 0

—	GAS	○	MANHOLE	●	CONCRETE PAVEMENT	□	LOCATION APPROVED	BM 41-050 (83R503) ELEV 233.918	This drawing has been prepared for the use of AECOM's client and may not be used, reproduced or relied upon by third parties, except as agreed by AECOM and its client, as required by law or for use by governmental reviewing agencies. AECOM accepts no responsibility, and denies any liability whatsoever, to any party that modifies this drawing without AECOM's express written consent. Do not scale this document. All measurements must be obtained from stated dimensions.
—	MTS	□	CATCH BASIN / CATCH PIT	■	ASPHALT PAVEMENT	▲	UNDERGROUND STRUCTURES		
—	HYDRO	△	CURB INLET WITH BOX	▲	CONC. SIDEWALK/MEDIAN	▲			
—	CATV/FO	○	TREE	▲	PAVING STONE	▲	SUPR. U/G STRUCTURES	DATE	
—	TRAFFIC SIGNALS/PIT	⊙	TEST HOLE	▲	GRAVEL	▲	NOTE:	LOCATION OF UNDERGROUND STRUCTURES AS SHOWN ARE BASED ON THE BEST INFORMATION AVAILABLE. BUT NO GUARANTEE IS GIVEN THAT ALL EXISTING UTILITIES ARE SHOWN OR THAT THE GIVEN LOCATIONS ARE EXACT. CONFIRMATION OF EXISTENCE AND EXACT LOCATION OF ALL SERVICES MUST BE OBTAINED FROM THE INDIVIDUAL UTILITIES BEFORE PROCEEDING WITH CONSTRUCTION.	
—	LAND DRAINAGE SEWER	—	PROPERTY LINE	—	RAMP CURB	—		NO. REVISIONS	
—	SANITARY/COMBINED SEWER	—	SURVEY BAR	—	PLANING/REMOVAL	—		YYMMDD	
—	SSP/DCP	—	FENCE	—		—		BY	
—	WATERMAIN	—	BOC/EOPAVT	—		—			
—	SUBDRAIN	—	ELEVATION	—		—			
—	DITCH	—	TRAFFIC SIGN	—		—			
—	EXISTING	—	LEGEND - PLAN	—	NEW	—			
—	NEW	—	EXISTING	—	LEGEND - PLAN	—			

DESIGNED BY	BSK/BC	CHECKED BY	TGS
DRAWN BY	BC	APPROVED BY	TGS
HOR. SCALE	1:250	RELEASED FOR CONSTRUCTION	<i>[Signature]</i>
VERT. SCALE	1:10	DATE	APR 29/10
DATE	10/04/29		

AECOM

PROFESSIONAL'S SEAL
 PROVINCE OF MANITOBA
 19/04/28
 B. S. KIBBINS
 Member
 24334
 REGISTERED PROFESSIONAL ENGINEER

CONSULTANT DRAWING NO.
 060144310_05-CT1010_RX.dwg

THE CITY OF WINNIPEG
PUBLIC WORKS DEPARTMENT
ENGINEERING DIVISION