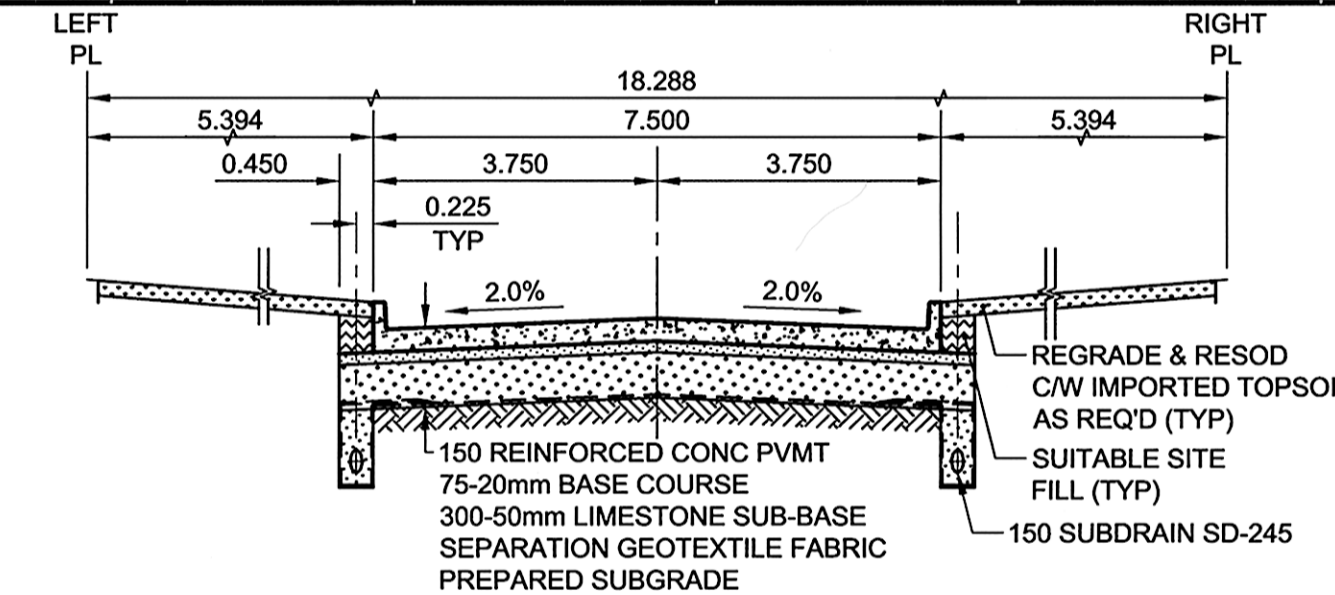
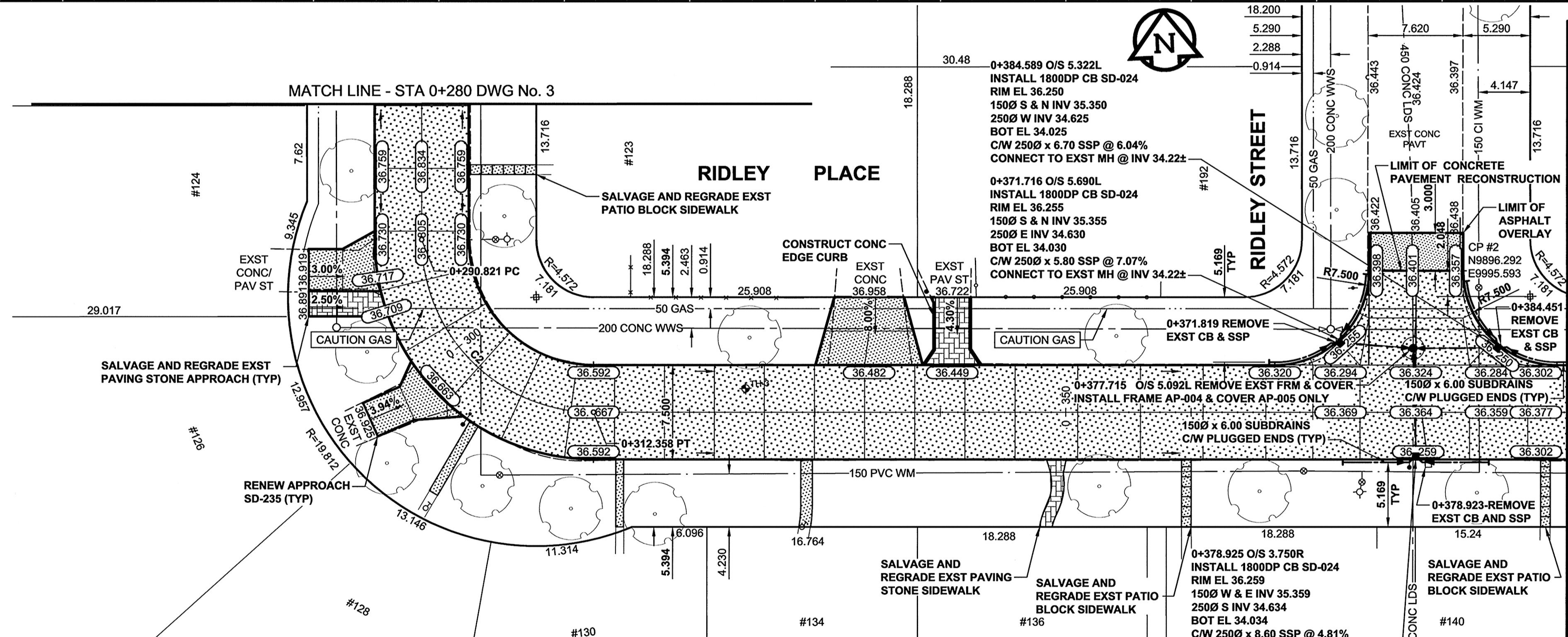
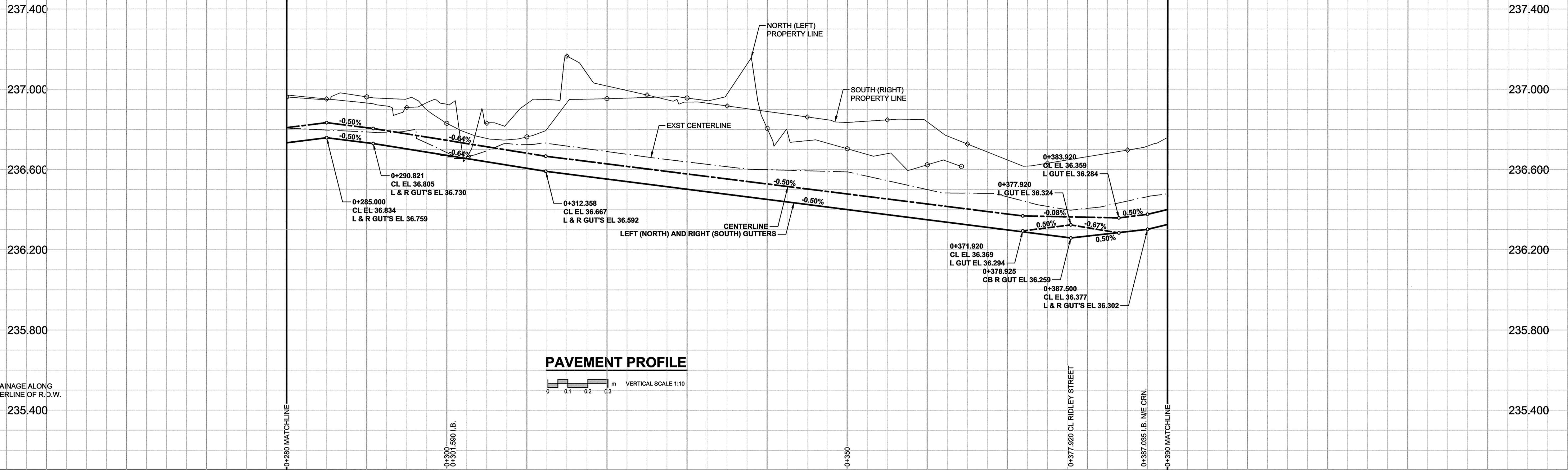


A1 SIZE 23.4" x 33.1" (594mm x 841mm)

PLOT: 10/04/28 9:36:33 AM

AECOM FILE NAME: 060144310_04-CT1004_RX.dwg Saved By: doszrodd



RIDLEY PLACE - EAST & WEST LEGS PAVEMENT RECONSTRUCTION SECTION TYPICAL

NOTES

- ADJUST MH AND CB RIMS TO NEW GRADES.
- LAMP STANDARDS, HYDRO POLES, AND ANCHORS MAY REQUIRE TEMPORARY SUPPORT/REMOVAL OR REPLACEMENT AT THE CONTRACTOR'S EXPENSE.
- CONTRACTOR SHALL REGRADE/RENEW EXIST PRIVATE SIDEWALKS TO LIMITS AS SHOWN. SIDEWALKS TO BE RENEWED WITH CONCRETE UNLESS NOTED OTHERWISE.
- LIP CURB TO BE UTILIZED AT APPROACHES. APPROACHES TO BE RENEWED TO LIMITS, AND WITH MATERIALS AS SHOWN.
- CONTRACTOR SHALL TAKE PRECAUTIONARY STEPS TO PROTECT BOULEVARD TREES FROM DAMAGE FROM CONSTRUCTION ACTIVITIES WITHIN THE LIMITS OF CONSTRUCTION AS OUTLINED IN THE SPECIFICATIONS.
- CB (SD-024), OFFSETS MEASURED TO B.O.C. LOCATIONS.
- THE LOCATION OF ALL SERVICES TO BE CONFIRMED IN THE FIELD BY THE CONTRACTOR.
- ADD 200.00m TO ABBREVIATED ELEVATIONS TO OBTAIN GEODETIC ELEVATIONS.

CIRCULAR CURVE DATA

CURVE	LENGTH	RADIUS	DELTA	TANGENT
C2	21.536	13.716	89°57'51"	13.707

RIDLEY PLACE CENTERLINE-GEOMETRIC CONTROL POINT COORDINATES

POINT/STATION	NORTHING	EASTING
PC = 0+290.821	9904.628	9907.478
PT = 0+312.358	9890.340	9920.588

SSP CONNECTION DATA

REFERENCE	JCT LOCATION
MH @ STA 0+377.715	0
L/CB @ STA 0+371.716	0
R/CB @ STA 0+378.925	0
L/CB @ STA 0+384.599	0

	GAS		MANHOLE		CONCRETE PAVEMENT
	MTS		CATCH BASIN / CATCH PIT		ASPHALT PAVEMENT
	HYDRO		CURB INLET WITH BOX		CONC. SIDEWALK/MEDIAN
	CATV/FO		TREE		PAVING STONE
	TRAFFIC SIGNALS/PIT		TEST HOLE		GRAVEL
	LAND DRAINAGE SEWER		PROPERTY LINE		RAMP CURB
	SANITARY/COMBINED SEWER		SURVEY BAR		PLANING/REMOVAL
	SSP/DCP		FENCE		
	WATERMAIN		BOC/EOPAVT		
	SUBDRAIN		ELEVATION		
	DITCH		TRAFFIC SIGN		
	EXISTING		LEGEND - PLAN		NEW

LOCATION APPROVED UNDERGROUND STRUCTURES

DATE: _____

COMMITTEE: _____

NOTE: LOCATION OF UNDERGROUND STRUCTURES AS SHOWN ARE BASED ON THE BEST INFORMATION AVAILABLE. BUT NO GUARANTEE IS GIVEN THAT ALL EXISTING UTILITIES ARE SHOWN OR THAT THE GIVEN LOCATIONS ARE EXACT. CONFIRMATION OF EXISTENCE AND EXACT LOCATION OF ALL SERVICES MUST BE OBTAINED FROM THE INDIVIDUAL UTILITIES BEFORE PROCEEDING WITH CONSTRUCTION.

BM 40-026 ELEV 237.452

NO.	ISSUED FOR CONSTRUCTION	DATE	BY
0	ISSUED FOR CONSTRUCTION	10/04/29	DID

AECOM

DESIGNED BY: WRJ
DRAWN BY: DID
HOR. SCALE: 1:250
VERT. SCALE: 1:10

CHECKED BY: JGK
APPROVED BY: TGS
RELEASED FOR CONSTRUCTION: _____
DATE: 10/04/29

PROFESSIONAL'S SEAL
R.P. BRUCE
REGISTERED PROFESSIONAL ENGINEER
CONSULTANT DRAWING NO. 060144310_04-CT1004_RX.dwg

THE CITY OF WINNIPEG
PUBLIC WORKS DEPARTMENT
ENGINEERING DIVISION

2010 LOCAL STREET RENEWAL PROGRAM
RIDLEY PLACE (EAST & WEST LEGS)
RIDLEY STREET TO RIDLEY STREET
HORIZONTAL AND VERTICAL ALIGNMENT
STA 0+280 TO STA 0+390

CITY DRAWING NUMBER: N/A
SHEET 4 OF 10
DRAWING No. 4
REV 0

DATE: April 28/10
Date: APR 28/10

BID OPPORTUNITY NO. 280-2010