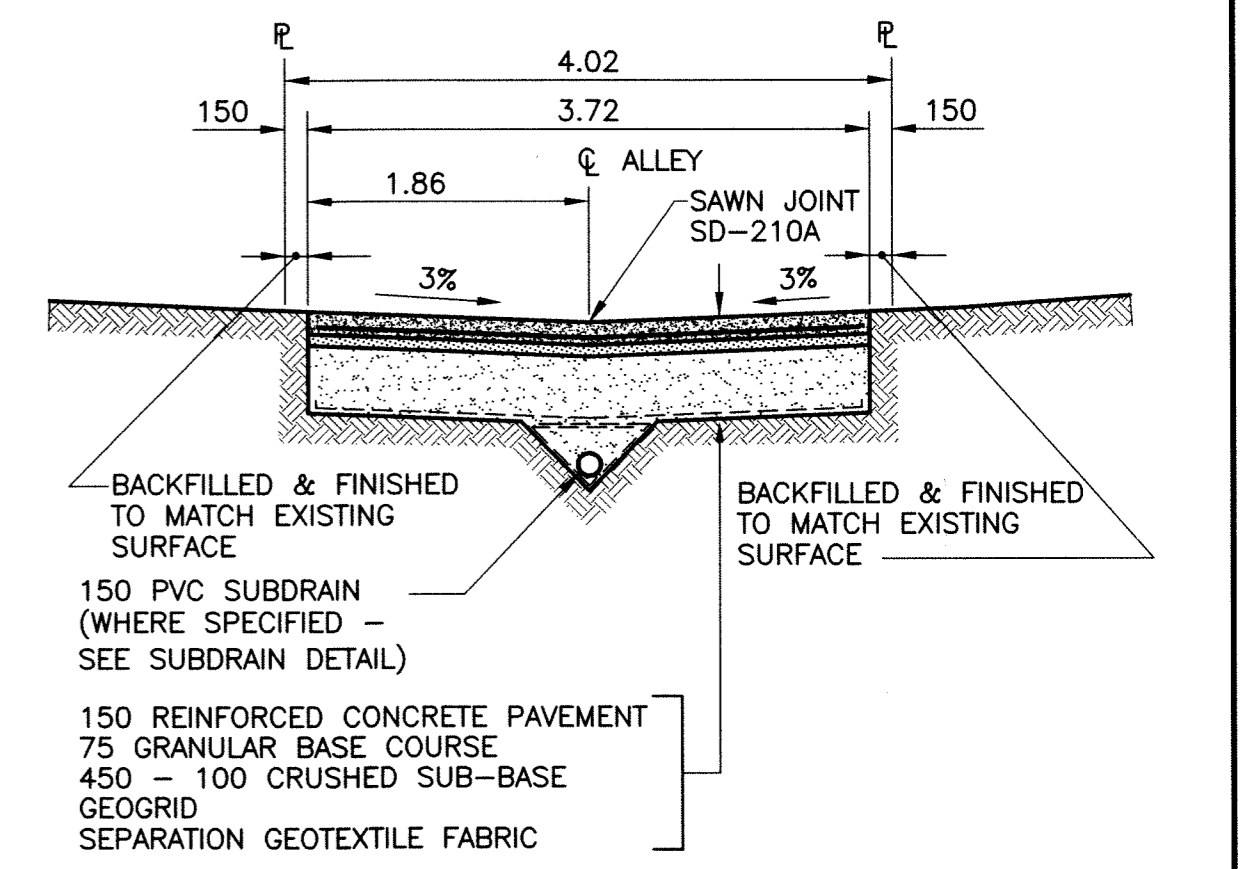
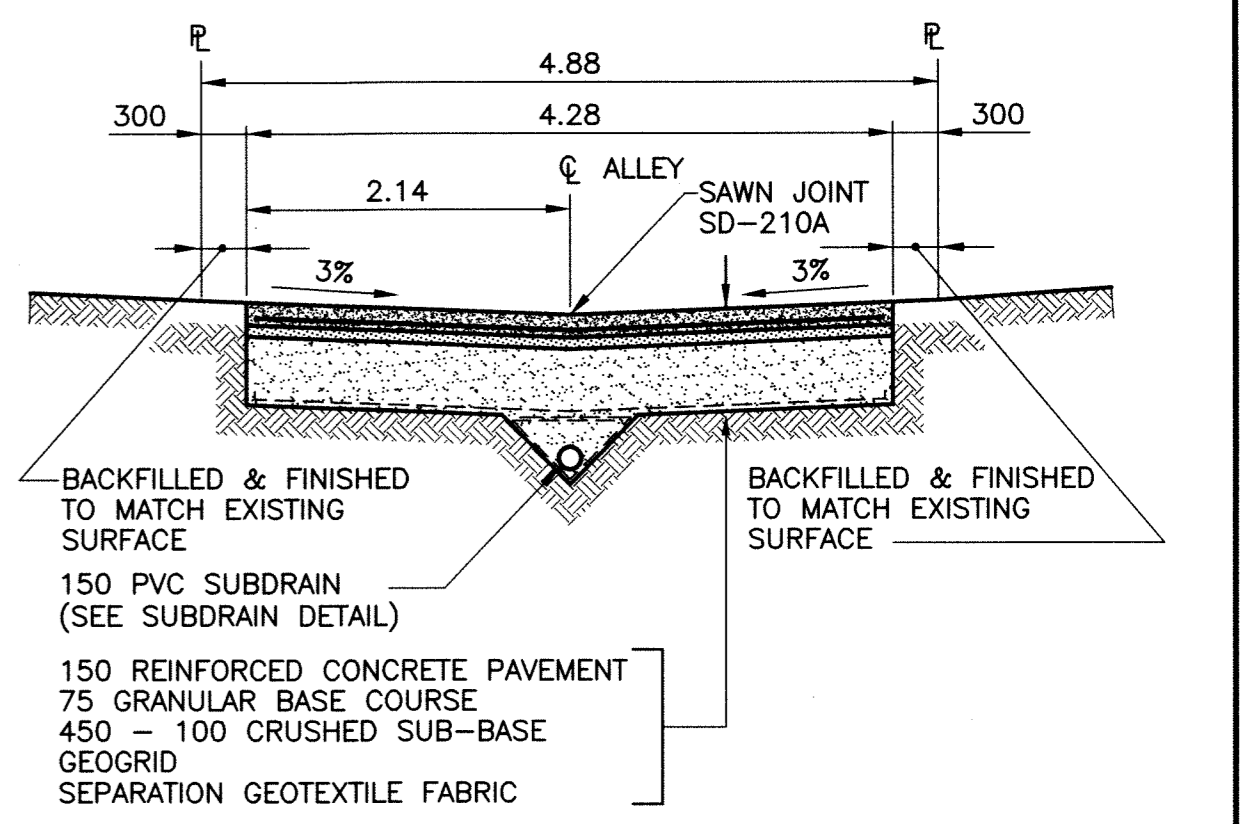


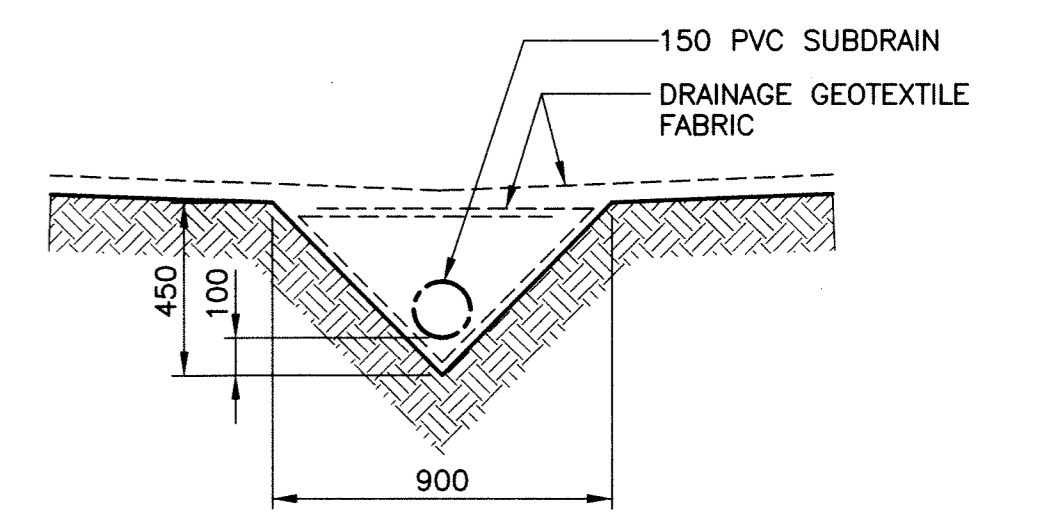
ALLEY PAVEMENT PLAN
SCALE: 1:250 HOR



STA. 1+00 TO 2+01 CROSS SECTION
SCALE: 1:50

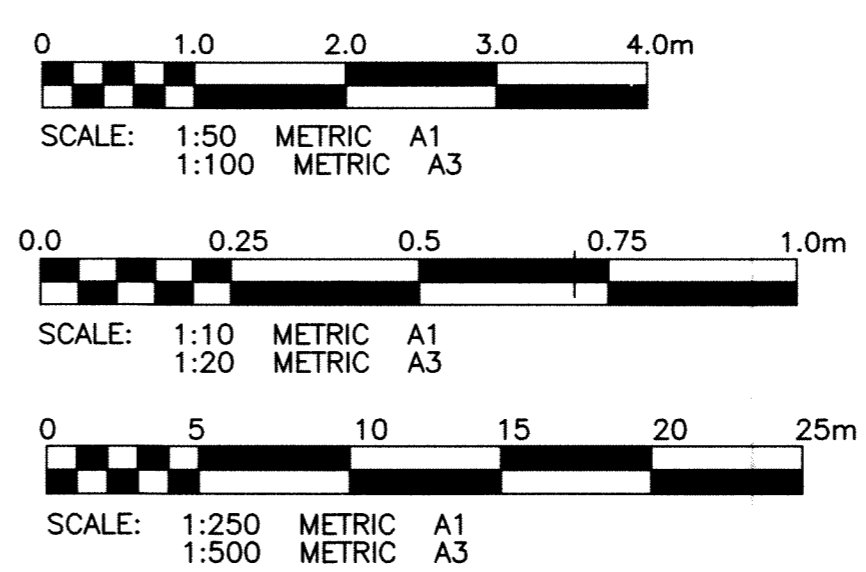


TYPICAL CROSS SECTION
SCALE: 1:50



SUBDRAIN DETAIL
SCALE: 1:20

- NOTE:
1. STATION CHAINAGE IS BASED ON CENTERLINE OF ALLEY RIGHT OF WAY.
 2. ADJUST MH AND CB RIMS TO NEW GRADES.
 3. PLUG SUBDRAINS AT TERMINAL ENDS.
 4. REGRADE EXISTING PRIVATE SIDEWALKS AS REQUIRED.
 5. INSTALLATION OF LIP CURBS AND THEIR EXTENTS TO BE DETERMINED BY THE CONTRACT ADMINISTRATOR.
 6. LIGHT STANDARDS, HYDRO POLES AND ANCHORS MAY REQUIRE TEMPORARY SUPPORT/REMOVAL OR REPLACEMENT AT THE CONTRACTOR'S EXPENSE.
 7. ISOLATE ALL POLES, BASES AND PILES WITHIN ALLEY RIGHT OF WAY (SD-228C)
 8. AVOID DAMAGE TO EXISTING TREES WITHIN THE LIMITS OF CONSTRUCTION.



WARNING

1. NOTIFY THE GAS COMPANY OF THE PROPOSED LOCATION OF EXCAVATION.
2. TAKE PRECAUTION TO AVOID DAMAGE TO GAS COMPANY INSTALLATIONS.
3. SEE PROVINCIAL REGULATION 210/72 FOR DETAILS.

PROPERTY LIMITS DELINEATION

DELINEATION OF PROPERTY LIMITS AS SHOWN ON THIS DWG DOES NOT REPRESENT A "LEGAL SURVEY". KGS GROUP MAKES NO REPRESENTATION OR WARRANTY AS TO THE ACCURACY OF PROPERTY LIMITS DELINEATED ON THIS DWG, NOR ON THE DIMENSIONAL ACCURACY OF DWG FEATURES RELATIVE TO THOSE PROPERTY LIMITS.

METRIC

WHOLE NUMBERS INDICATE MILLIMETRES
DECIMALIZED NUMBERS INDICATE METRES

APEGM
Certificate of Authorization
KGS Group
No. 245 Date: 10/01/00

300 LGS	LAND DRAINAGE SEWER	300 LGS	TEST HOLE		
250 WWS	WASTE WATER SEWER	250 WWS	GUY WIRE		
	GAS		LIGHT STANDARD		
	HYDRO		BACK OF CURB		
	M.T.S.		CONCRETE		
150 WM	WATERMAIN	150 WM	ASPHALT		
	HYDRANT		SIDEWALK		
	VALVE		RAMP CURB		
	MANHOLE		PROPERTY LINE		
	CATCH BASIN		SURVEY BAR		
	CURB INLET		GEODETIC BENCHMARK		
	POLES		ELEVATION		
EXISTING	LEGEND-PLAN	PROPOSED	EXISTING	LEGEND-PLAN	PROPOSED

LOCATION APPROVED UNDERGROUND STRUCTURES

SUPV. U/G STRUCTURES COMMITTEE DATE

NOTE:
LOCATION OF UNDERGROUND STRUCTURES AS SHOWN ARE BASED ON THE BEST INFORMATION AVAILABLE BUT NO GUARANTEE IS GIVEN THAT ALL EXISTING UTILITIES ARE SHOWN OR THAT THE GIVEN LOCATIONS ARE EXACT. CONFIRMATION OF EXISTENCE AND EXACT LOCATION OF ALL SERVICES MUST BE OBTAINED FROM THE INDIVIDUAL UTILITIES BEFORE PROCEEDING WITH CONSTRUCTION.

B.M. 37-02B
ELEV. 231.978

S.W. COR. ELLICE AVE & MARYLAND ST. TR. IN 7.6m CONC. PILE BENEATH VALVE BOX, 5.1m N. OF S.E. ELLICE AVE., 6.1m E. OF W.L. MARYLAND ST.

KGS GROUP
CONSULTING ENGINEERS

DESIGNED BY: RBO
DRAWN BY: GEL

CHECKED BY: CR
APPROVED BY: R/A

HOR. SCALE: 1:250
VERTICAL: 1:50

RELEASED FOR CONSTRUCTION: 30/03/09

ENGINEER'S SEAL

PROVINCE OF MANITOBA
REGISTERED PROFESSIONAL ENGINEER
R.B. OFFMAN
Member
2010

CONSULTANT DRAWING NO.
09-0107-20_C05

THE CITY OF WINNIPEG
PUBLIC WORKS DEPARTMENT
TRANSPORTATION ENGINEERING DIVISION

PROJECT TITLE: 2010 ALLEY & LOCAL STREET RENEWALS
SHEET OF 05 OF 18

COMPUTER FILE NAME: MARYLAND-SHERBROOK-PL0T
CITY DRAWING NUMBER: 0005

MARYLAND ST./SHERBROOK ST. ALLEY
ELLICE AVE. TO SARGENT AVE.
STA. 1+75.0 TO STA. 2+75.0

P:\Projects\2009\09-0107-20_DocControl\Bissau\DWG\09-0107-20_0005-REV 0.dwg - Tab: 05 Plotted By: Deroche 04/20/2010 [Tue 3:51pm]