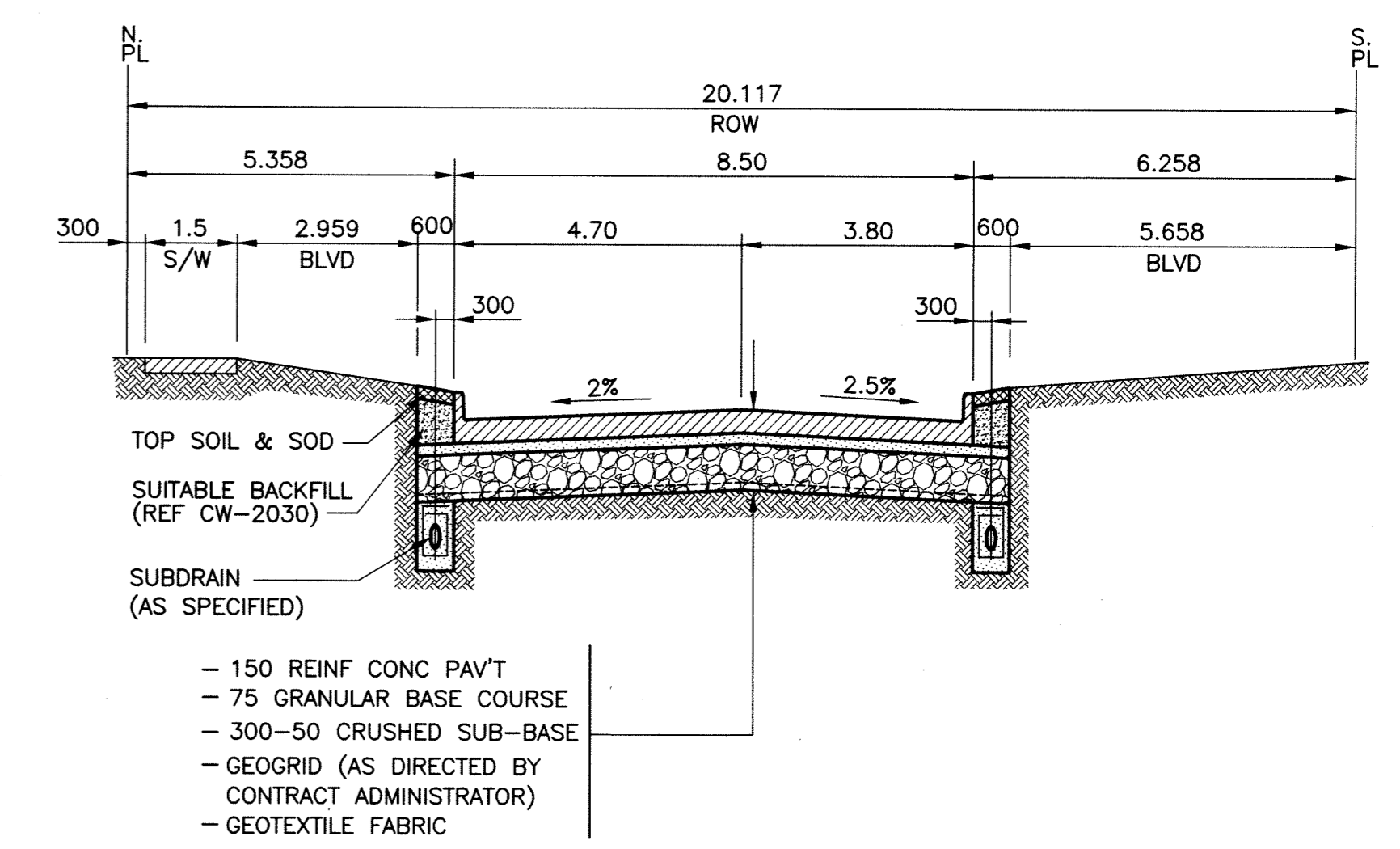
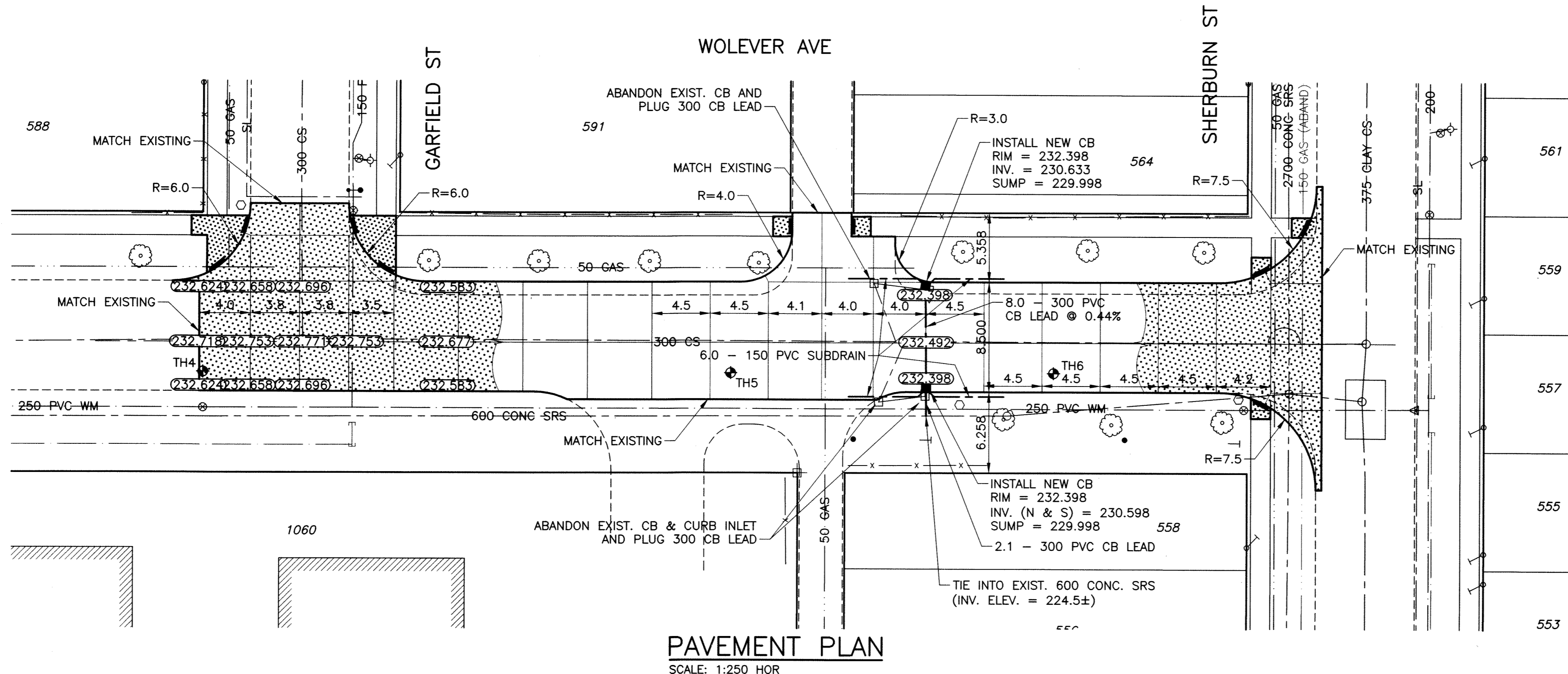


PAVEMENT PROFILE
SCALE: 1:250 HOR
1:10 VER



TYPICAL CROSS SECTION
SCALE: HOR 1:100
VER 1:40

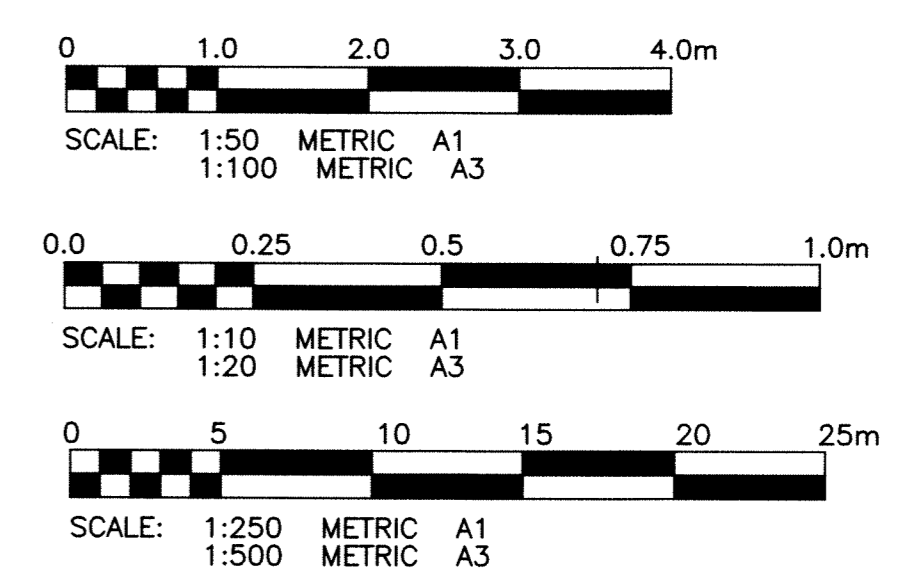
- NOTE:**
1. STATION CHAINAGE IS BASED ON CENTERLINE OF ALLEY RIGHT OF WAY.
 2. ADJUST MH AND CB RIMS TO NEW GRADES.
 3. PLUG SUBDRAINS AT TERMINAL ENDS.
 4. REGRADE EXISTING PRIVATE SIDEWALKS AS REQUIRED.
 5. INSTALLATION OF LIP CURBS AND THEIR EXTENTS TO BE DETERMINED BY THE CONTRACT ADMINISTRATOR.
 6. LIGHT STANDARDS, HYDRO POLES AND ANCHORS MAY REQUIRE TEMPORARY SUPPORT/REMOVAL OR REPLACEMENT AT THE CONTRACTOR'S EXPENSE.
 7. ISOLATE ALL POLES, BASES AND PILES WITHIN ALLEY RIGHT OF WAY (SD-228C)
 8. AVOID DAMAGE TO EXISTING TREES WITHIN THE LIMITS OF CONSTRUCTION.
 9. CONTRACTOR TO COORDINATE WITH CITY TO REINSTALL TRAFFIC SIGNS REMOVED DURING CONSTRUCTION.



PAVEMENT PLAN
SCALE: 1:250 HOR

PROPERTY LIMITS DELINEATION

DELINEATION OF PROPERTY LIMITS AS SHOWN ON THIS DWG DOES NOT REPRESENT A "LEGAL SURVEY". KGS GROUP MAKES NO REPRESENTATION OR WARRANTY AS TO THE ACCURACY OF PROPERTY LIMITS DELINEATED ON THIS DWG, NOR ON THE DIMENSIONAL ACCURACY OF DWG FEATURES RELATIVE TO THOSE PROPERTY LIMITS.

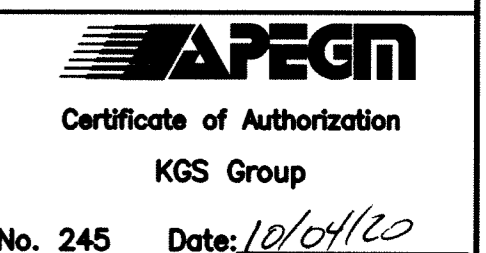


WARNING

1. NOTIFY THE GAS COMPANY OF THE PROPOSED LOCATION OF EXCAVATION.
2. TAKE PRECAUTION TO AVOID DAMAGE TO GAS COMPANY INSTALLATIONS.
3. SEE PROVINCIAL REGULATION 210/72 FOR DETAILS.

METRIC

WHOLE NUMBERS INDICATE MILLIMETRES
DECIMAL NUMBERS INDICATE METRES



P:\Projects\2008\09-0107-20\DocControl\Released\DWG\09-0107-20_0017-REV 0.dwg - Tab: 17 Plotted By: Dberoch 04/20/2010 [Tue 3:39pm]

300 LBS	LAND DRAINAGE SEWER	500 LBS	TEST HOLE				
250 WWS	WASTE WATER SEWER	250 WWS	GUY WIRE				
	GAS		LIGHT STANDARD				
	HYDRO		BACK OF CURB				
	M.T.S.		CONCRETE				
	ASPHALT		ASPHALT				
150 WM	WATERMAIN	150 WM	SIDEWALK				
	HYDRANT		RAMP CURB				
	VALVE		PROPERTY LINE				
	MANHOLE		SURVEY BAR				
	CATCH BASIN		GEODETIC BENCHMARK				
	CURB INLET		ELEVATION				
	POLES						
EXISTING	LEGEND-PLAN	PROPOSED	EXISTING	LEGEND-PLAN	PROPOSED	EXISTING	LEGEND-PROFILE

LOCATION APPROVED UNDERGROUND STRUCTURES

SUPV. U/G STRUCTURES COMMITTEE DATE

NOTE:
LOCATION OF UNDERGROUND STRUCTURES AS SHOWN ARE BASED ON THE BEST INFORMATION AVAILABLE BUT NO GUARANTEE IS GIVEN THAT ALL EXISTING UTILITIES ARE SHOWN OR THAT THE GIVEN LOCATIONS ARE EXACT. CONFIRMATION OF EXISTENCE AND EXACT LOCATION OF ALL SERVICES MUST BE OBTAINED FROM THE INDIVIDUAL UTILITIES BEFORE PROCEEDING WITH CONSTRUCTION.

B.M. 37-038 ELEV. 232.957	S.W. CORNER WALL ST. & WOLEVER AVE, TBLT. IN E. CONCRETE FOUNDATION NO. 660 WALL ST., 12.5m S. & 0.4m BELOW BRICK OF N.E. CORNER OF BUILDING
0	ISSUED FOR TENDER
NO.	REVISIONS
	DATE
	BY

KGS GROUP CONSULTING ENGINEERS	
DESIGNED BY: RBO	CHECKED BY: CR
DRAWN BY: GEL	APPROVED BY: [Signature]
HOR. SCALE: 1:250	RELEASED FOR CONSTRUCTION:
VERTICAL: 1:50	DATE: 10/02/03

ENGINEER'S SEAL

PROVINCIAL REGISTERED PROFESSIONAL ENGINEER

R.B. OFFMAN

2477

CONSULTANT DRAWING NO. 09-0107-20_C17

THE CITY OF WINNIPEG PUBLIC WORKS DEPARTMENT TRANSPORTATION ENGINEERING DIVISION

PROJECT TITLE: 2010 ALLEY & LOCAL STREET RENEWALS

WOLEVER AVENUE GARFIELD STREET TO SHERBURN STREET

SHEET 17 OF 18

COMPUTER FILE NAME: WOLEVER-PL0T

CITY DRAWING NUMBER: 0017