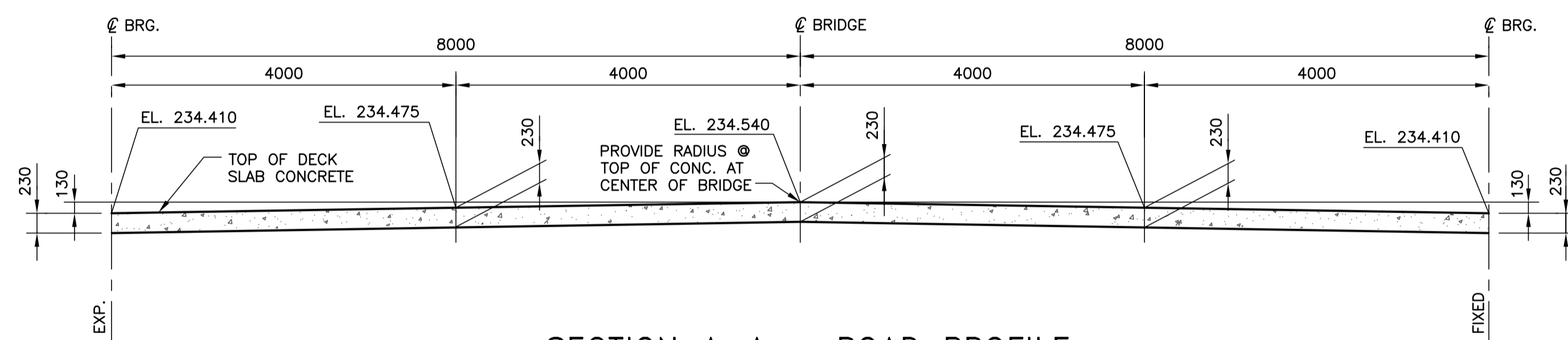


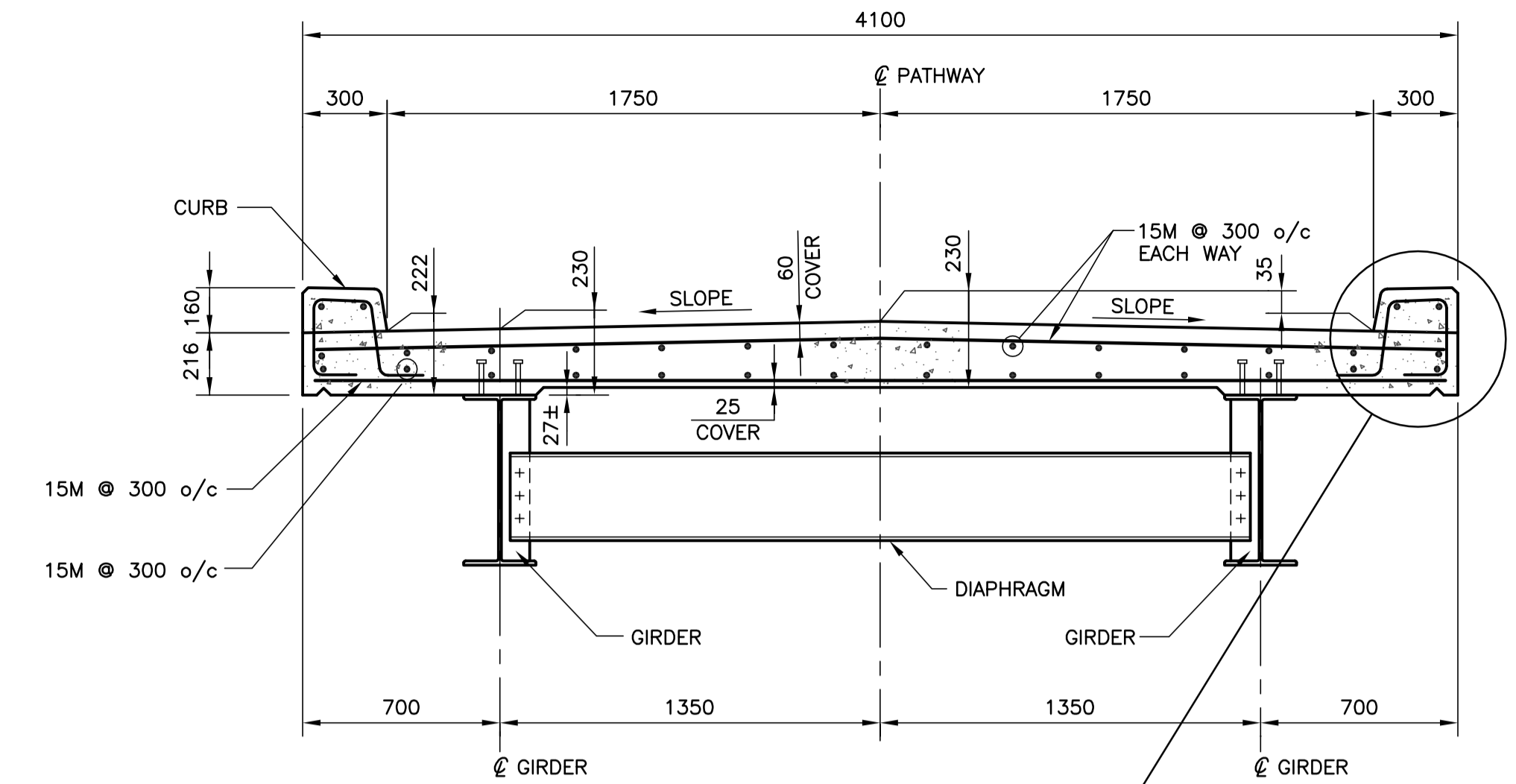
PLAN - ROAD PROFILE

SCALE: 1:50



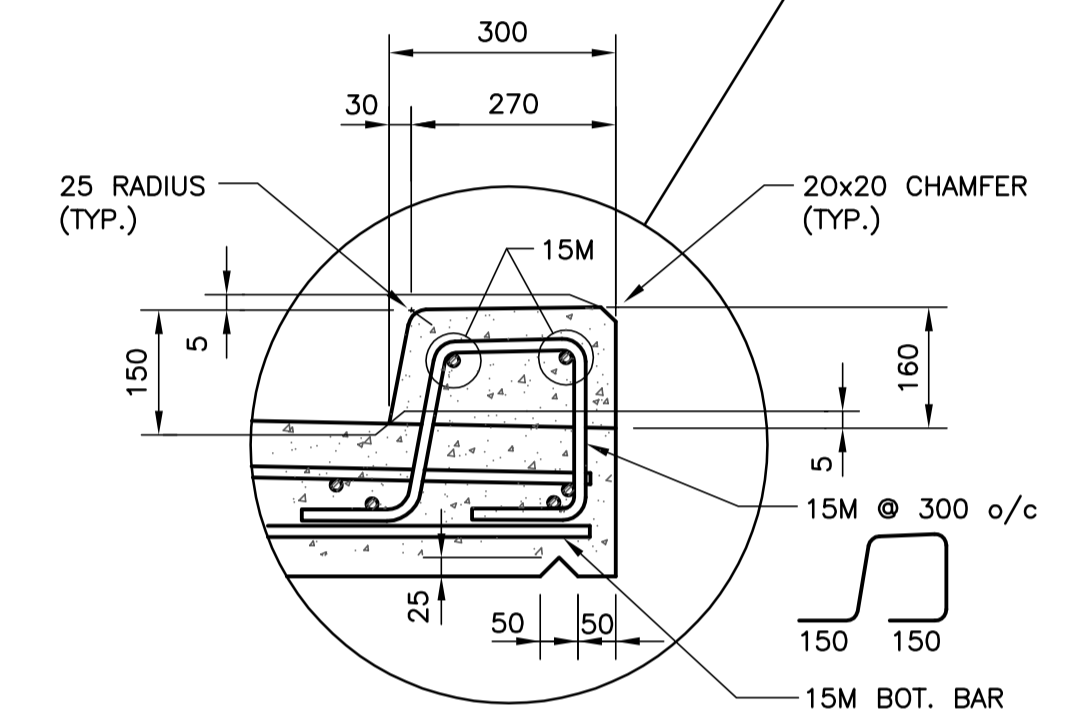
SECTION A-A - ROAD PROFILE

SCALE: 1:50 (© CENTERLINE OF PATHWAY)



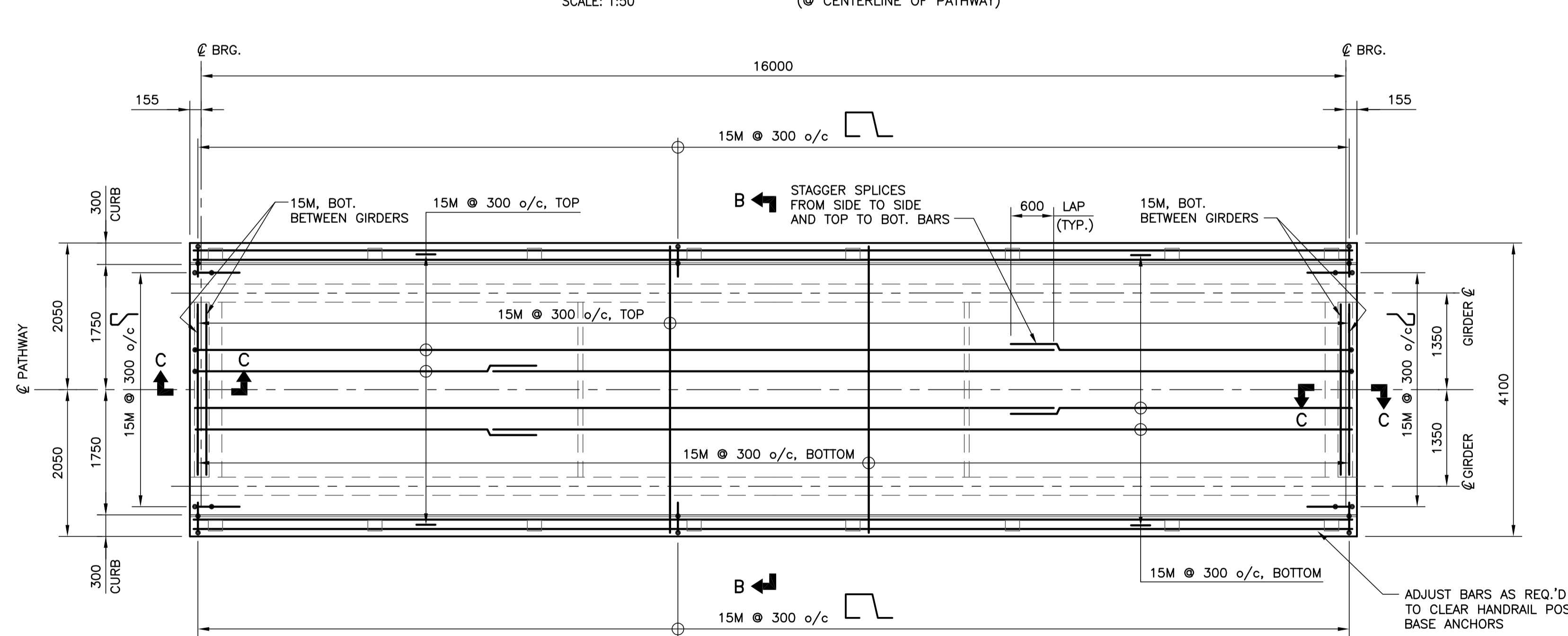
SECTION B-B

SCALE: 1:20



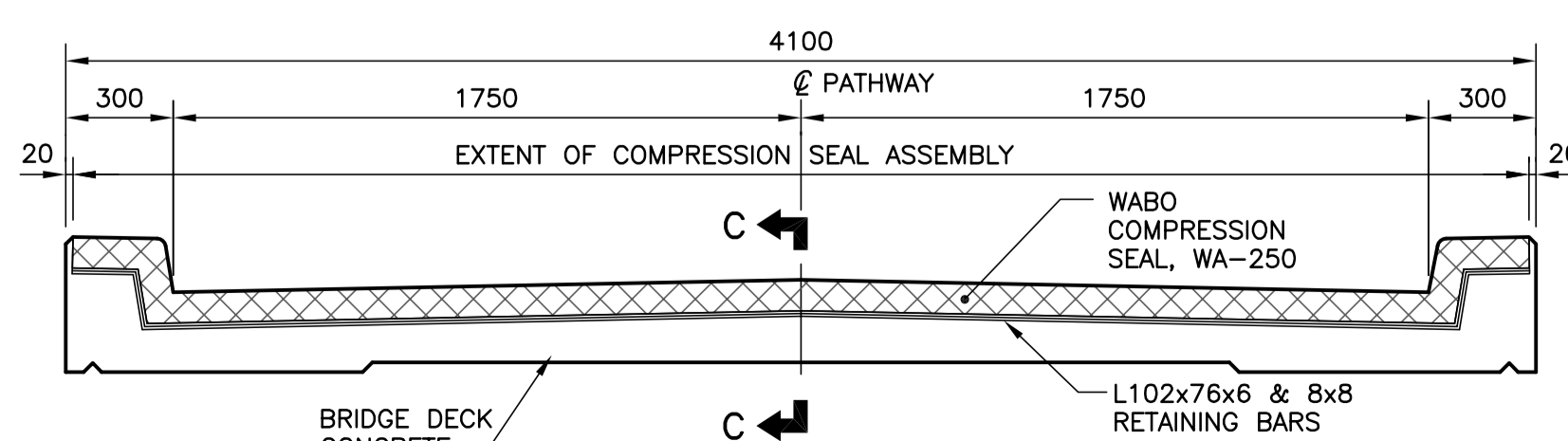
CURB DETAIL

SCALE: 1:10



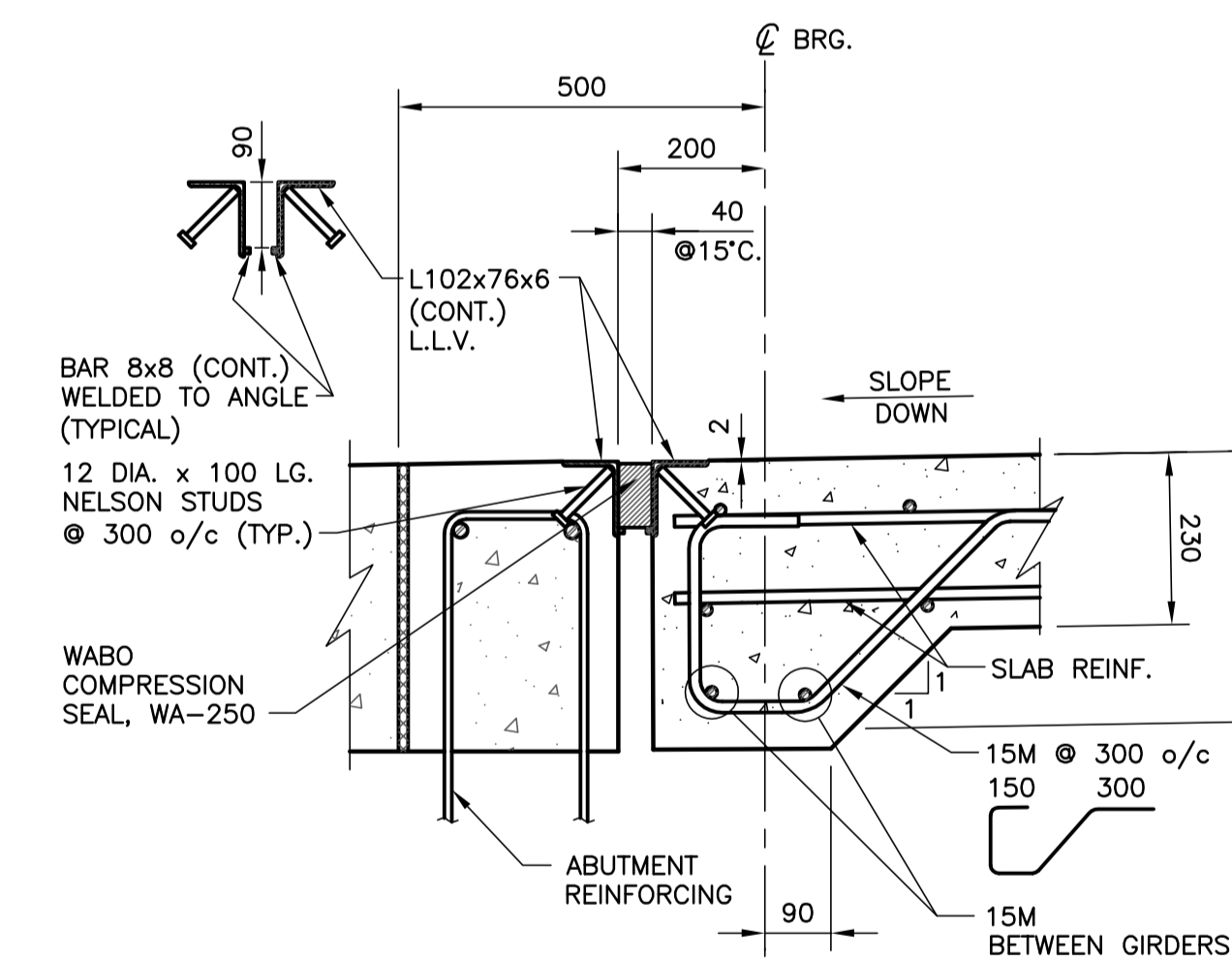
PLAN - DECK SLAB - CONCRETE & REINFORCING

SCALE: 1:50



SECTION D-D

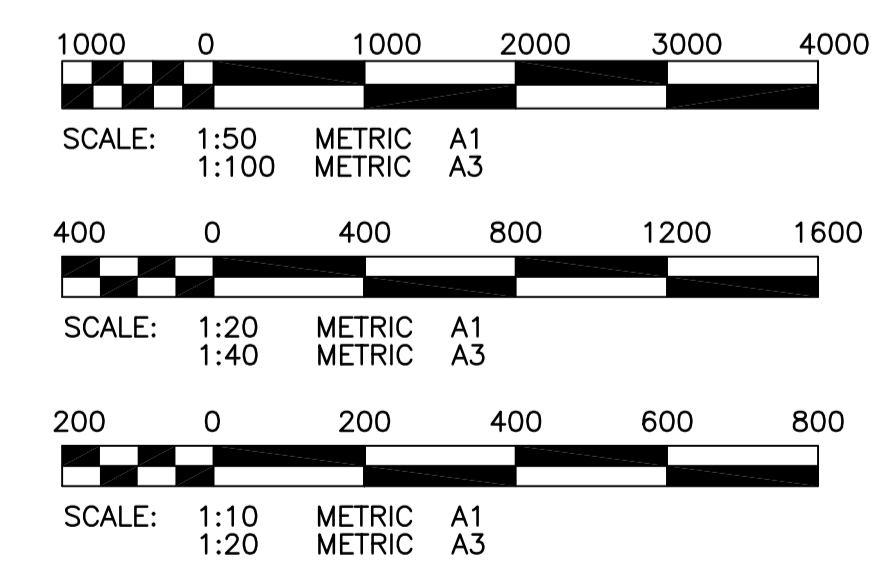
SCALE: 1:20



SECTION C-C - EXPANSION JOINT

SCALE: 1:10

METRIC
WHOLE NUMBERS INDICATE MILLIMETRES
DECIMALIZED NUMBERS INDICATE METRES



F:\Projects\2009\09-0107-21\Drawings\Struct\Addendum1 Dwg\Struct\Addendum1 Dwg\09-0107-21-30 Rev.1.dwg - Tab: 30 Plotted By: Glaeswen 05/13/2010 [Thu 9:41am]

APEGM
Certificate of Authorization
KGS Group
No. 245 Date: 10/05/03

B.M.	XX-XXX				
ELEV.	XXX.XXX				
NO.	REVISIONS	DATE	BY	DATE	
1	ISSUED FOR ADDENDUM 1	10/05/13			
0	ISSUED FOR TENDER	10/05/03	RJL		

KGS GROUP CONSULTING ENGINEERS
SCATLIFF+MILLER+MURRAY INC.
 DESIGNED BY: RJL
 DRAWN BY: JF
 SCALE: AS NOTED
 CHECKED BY:
 APPROVED BY:
 RELEASED FOR CONSTRUCTION:
 DATE: 10/03/22

ENGINEER'S SEAL
 PROVINCE OF MANITOBA
R.J. LONG
 REGISTERED PROFESSIONAL ENGINEER
 CONSULTANT DRAWING NO.
295-2010 8238-10-04

THE CITY OF WINNIPEG PUBLIC WORKS DEPARTMENT
 Winnipeg
 2010 ACTIVE TRANSPORTATION / INFRASTRUCTURE STIMULUS PROGRAM
TRURO CREEK BRIDGE DECK SLAB, CURBS & EXPANSION ASSEMBLY
 SHEET 30 OF 35
 CAD FILE: DRAWING NUMBER 09-0107-21-30
 CITY DRAWING NUMBER B238-10-04