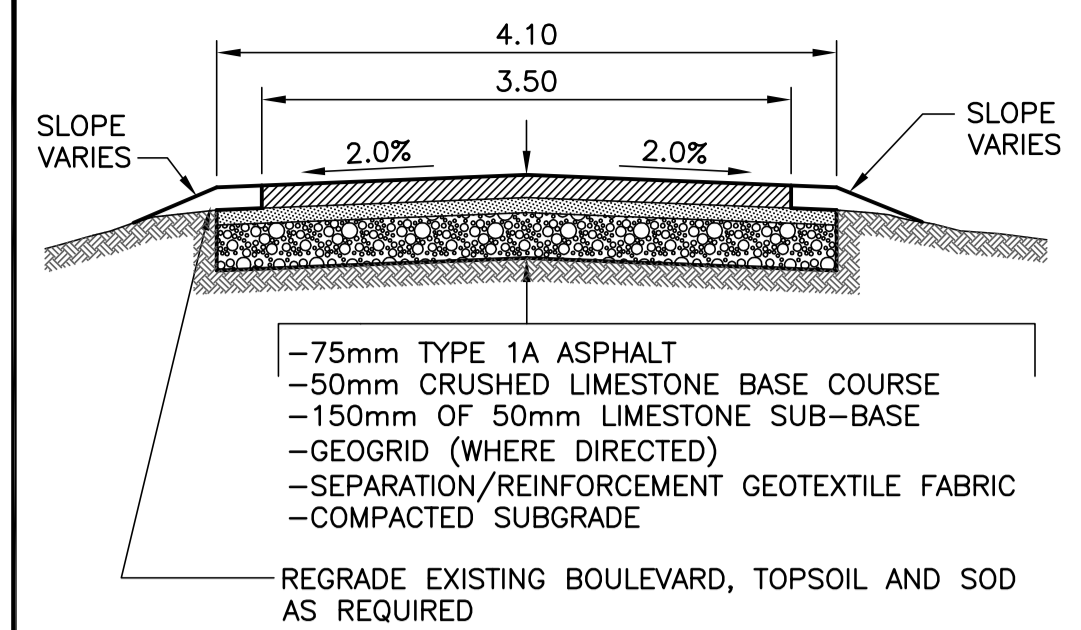
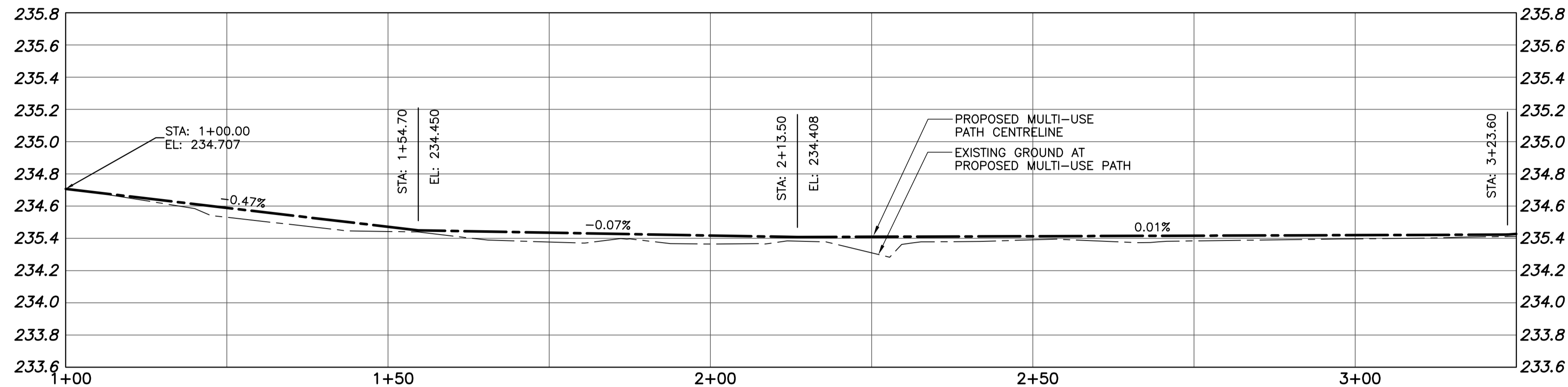
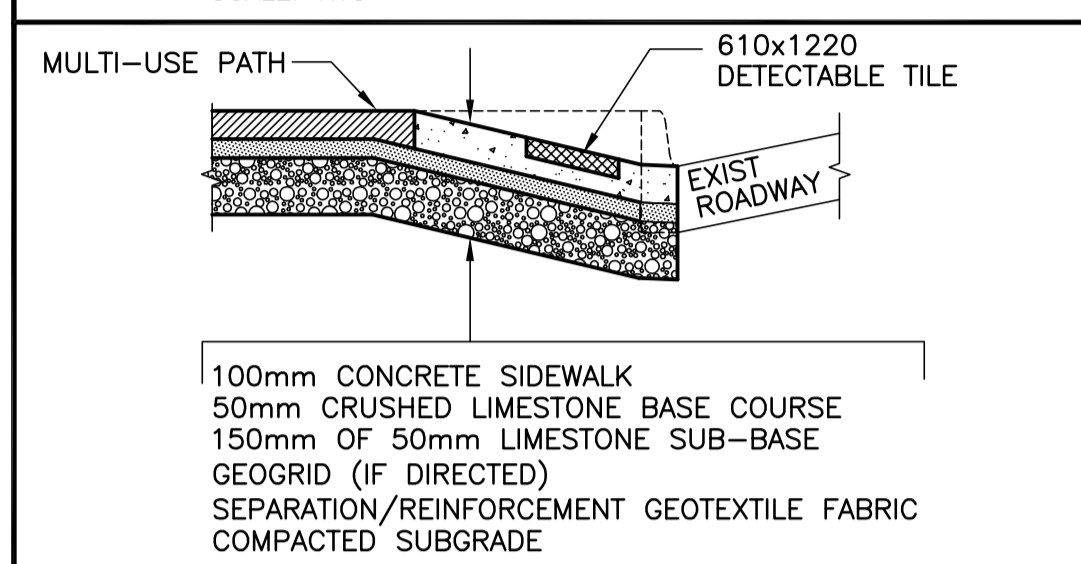


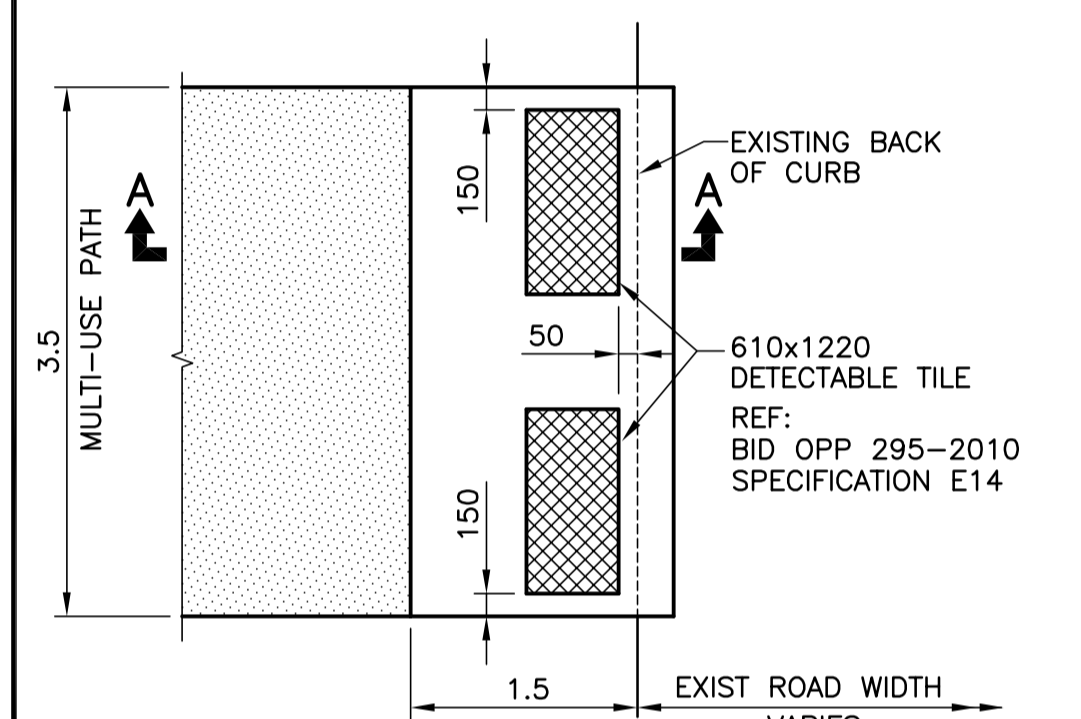
F:\Projects\2009\09-0107-21\DWG\Winn\AT\dwg\MUP-FL01.dwg - Tab: 22 Plotted By: Gloewen 04/30/2010 [Fri 8:59am]



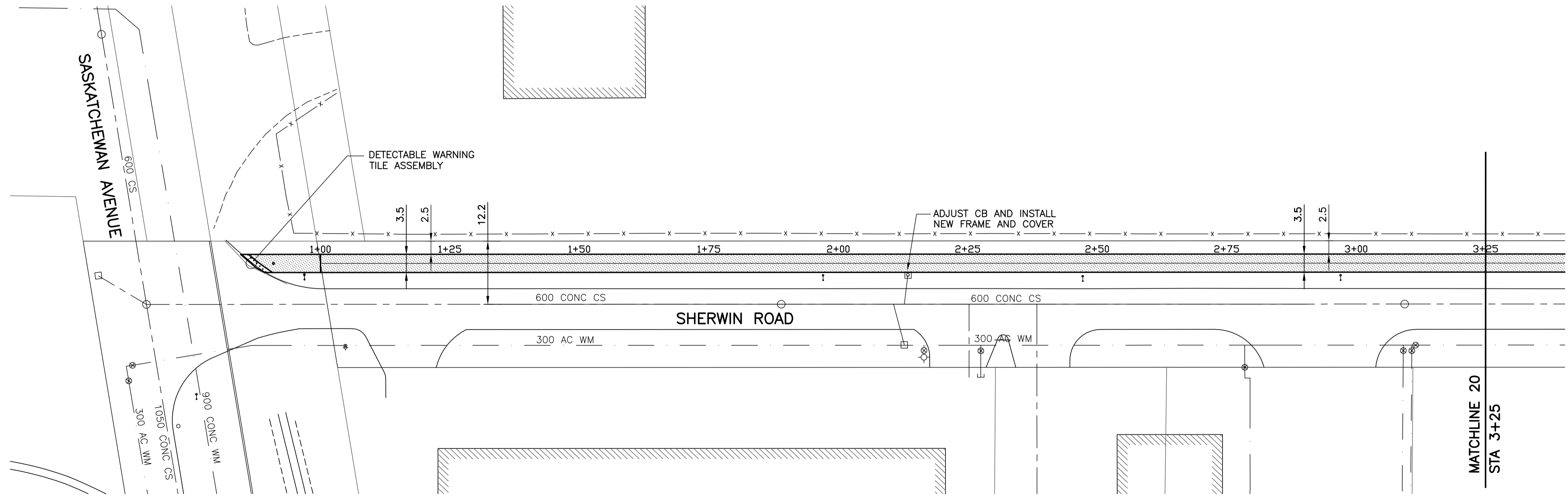
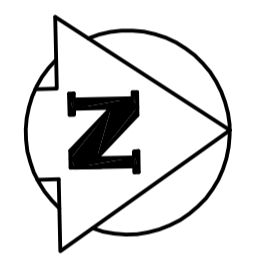
TYPICAL PATH SECTION
SCALE: NTS



SECTION A-A
SCALE: NTS



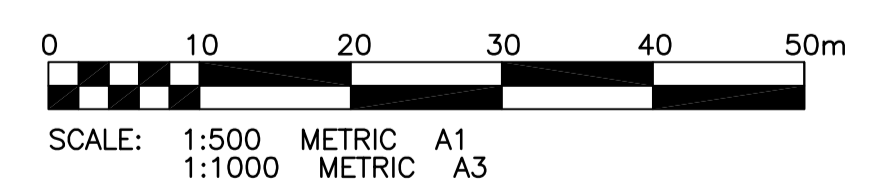
DETECTABLE WARNING SURFACE FOR MULTI-USE PATHS
SCALE: NTS



PROPERTY LIMITS DELINEATION
 DELINEATION OF PROPERTY LIMITS AS SHOWN ON THIS DWG DOES NOT REPRESENT A "LEGAL SURVEY". KGS GROUP MAKES NO REPRESENTATION OR WARRANTY AS TO THE ACCURACY OF PROPERTY LIMITS DELINEATED ON THIS DWG, NOR ON THE DIMENSIONAL ACCURACY OF DWG FEATURES RELATIVE TO THOSE PROPERTY LIMITS.

APEGM
 Certificate of Authorization
 KGS Group
 No. 245 Date: 10/05/03

METRIC
 WHOLE NUMBERS INDICATE MILLIMETRES
 DECIMALIZED NUMBERS INDICATE METRES



150 WM	WATERMAIN	150 WM	HYDRO	150 WM	WATERMAIN
Hydrant	HYDRANT	Hydrant	M.T.S.	Hydrant	HYDRANT, VALVE
Valve	VALVE	Valve	CONCRETE	Valve	CONCRETE
300 LDS	LAND DRAINAGE SEWER	300 LDS	ASPHALT	300 LDS	LAND DRAINAGE SEWER
250 WWS	WASTE WATER SEWER	250 WWS	SIDEWALK	250 WWS	WASTE WATER SEWER
Manhole	MANHOLE	Manhole	KGS TEST HOLE	Manhole	Q. PROFILE
Catch Basin	CATCH BASIN	Catch Basin	PROPERTY LINE	Catch Basin	NORTH/WEST GUTTER
Curb Inlet	CURB INLET	Curb Inlet	SURVEY BAR	Catch Basin	SOUTH/EAST GUTTER
Junctions	JUNCTIONS	Junctions	DITCH	Junctions	N/W, S/E P'S
Culvert	CULVERT	Culvert	ELEVATION	Junctions	N/W, S/E TOP/CURB
Gas	GAS	Gas		Junctions	NORTH/WEST DITCH
Existing	LEGEND-PLAN	Proposed	Existing	Junctions	SOUTH/EAST DITCH

LOCATION APPROVED UNDERGROUND STRUCTURES
 SUPV. U/G STRUCTURES COMMITTEE DATE
 NOTE:
 LOCATION OF UNDERGROUND STRUCTURES AS SHOWN ARE BASED ON THE BEST INFORMATION AVAILABLE BUT NO GUARANTEE IS GIVEN THAT ALL EXISTING UTILITIES ARE SHOWN OR THAT THE GIVEN LOCATIONS ARE EXACT. CONFIRMATION OF EXISTENCE AND EXACT LOCATION OF ALL SERVICES MUST BE OBTAINED FROM THE INDIVIDUAL UTILITIES BEFORE PROCEEDING WITH CONSTRUCTION.

B.M. 23-021	N.E. Cor. Dublin Ave. & Sherwin Rd. Tblt. in S. Conc. foundation No. 1155 Sherwin Rd., 1.5m E. & 0.2m below brick of S.W. Cor. of Bldg.		
ELEV. 235.418m			
NO.	REVISIONS	DATE	BY
0	ISSUED FOR TENDER	10/05/03	

KGS GROUP CONSULTING ENGINEERS
 SCATLIFF+MILLER+MURRAY Inc.
 TEL: 204.784.1144 FAX: 204.784.1343 1-888-888-8888 WINNIPEG, MB CANADA

DESIGNED BY: CR CHECKED BY:
 DRAWN BY: DMW APPROVED BY:
 HOR. SCALE: 1:500 VERTICAL: 1:50
 RELEASED FOR CONSTRUCTION: DATE: 09/12/16

ENGINEER'S SEAL

 CONSULTANT DRAWING NO. 09-0107-21_C22

THE CITY OF WINNIPEG PUBLIC WORKS DEPARTMENT
 PROJECT TITLE: 2010 ACTIVE TRANSPORTATION / INFRASTRUCTURE STIMULUS PROGRAM
 SHERWIN RD. - SASKATCHEWAN AVE. TO NOTRE DAME AVE. STA. 1+00 TO STA. 3+25

SHEET 22 OF 35
 COMPUTER FILE NAME: 09-0107-21
 CITY DRAWING NUMBER: 22