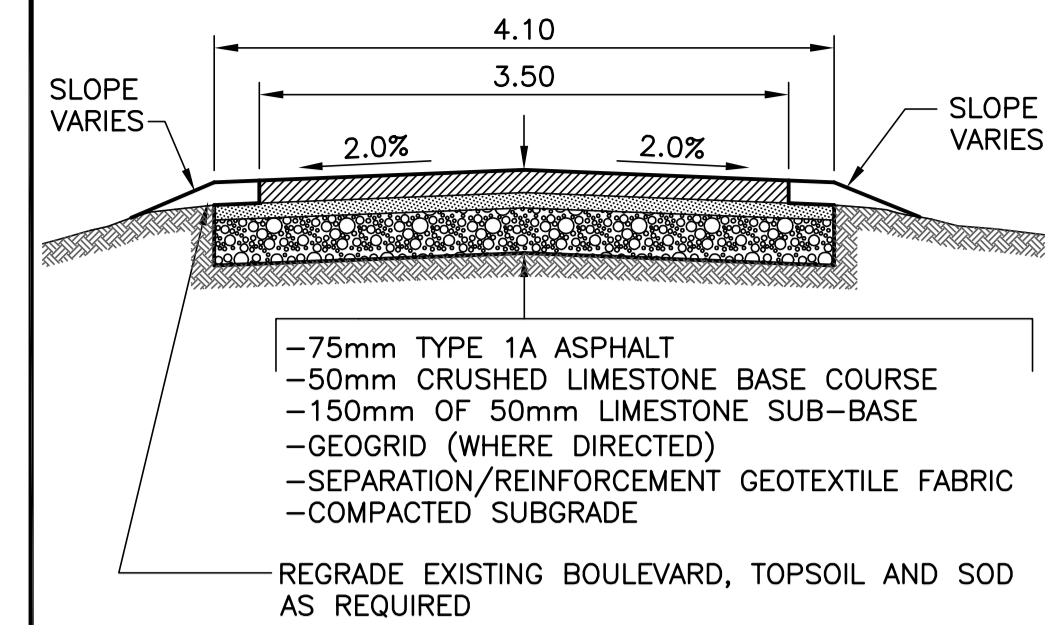
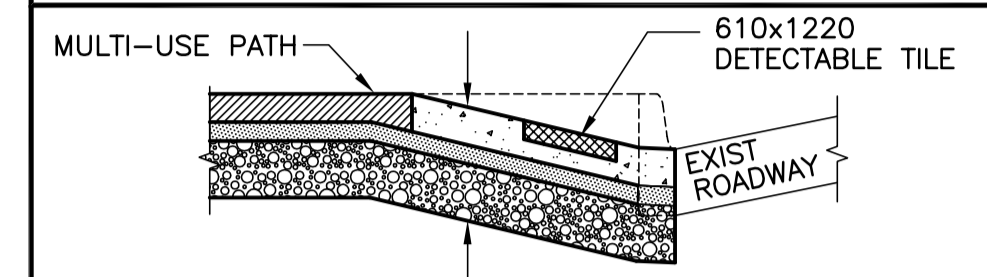


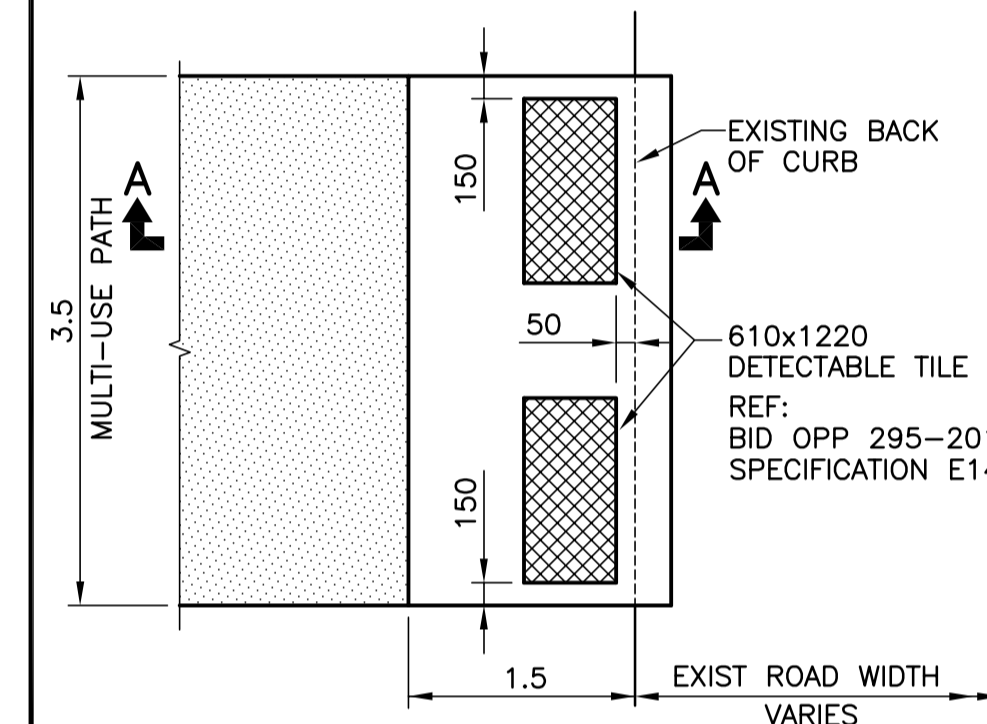
BUS PAD DETAIL
SCALE: 1:40



TYPICAL PATH SECTION
SCALE: NTS



SECTION A-A
SCALE: NTS

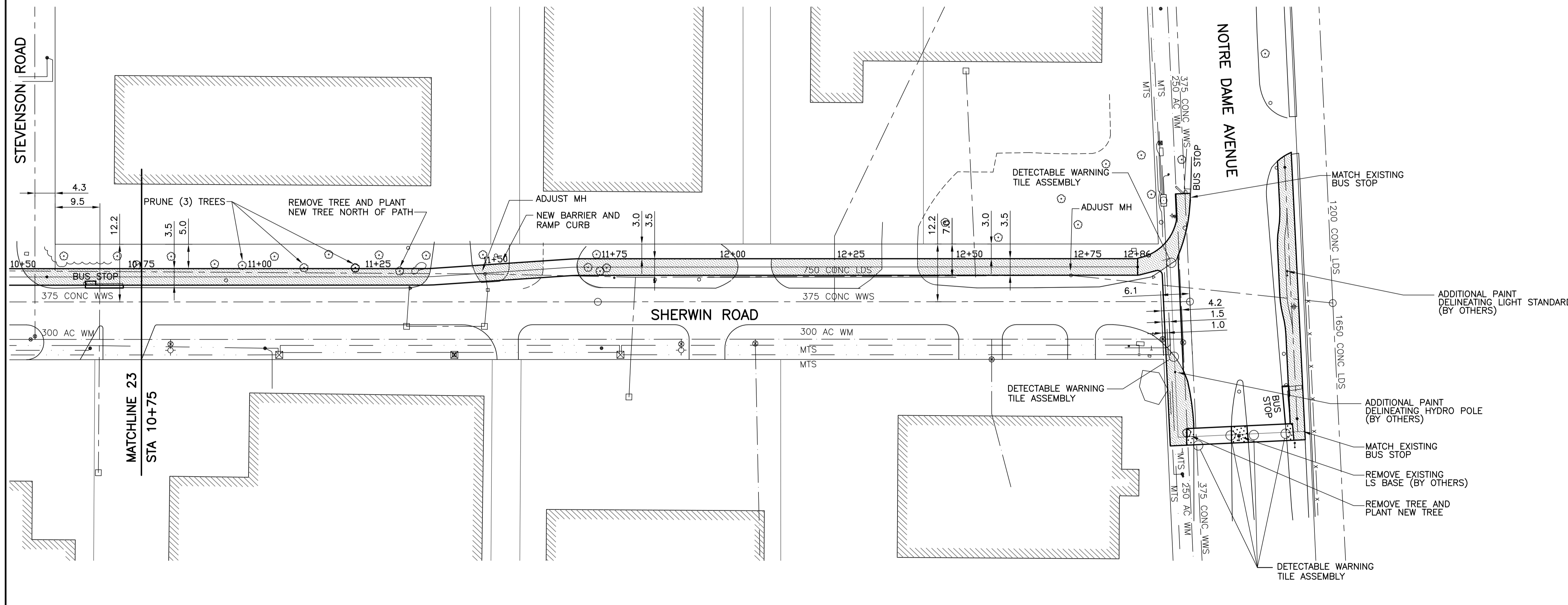
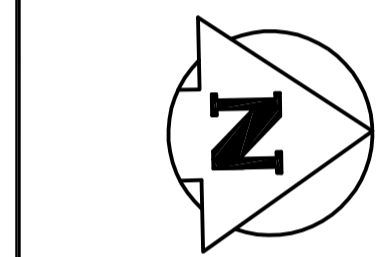
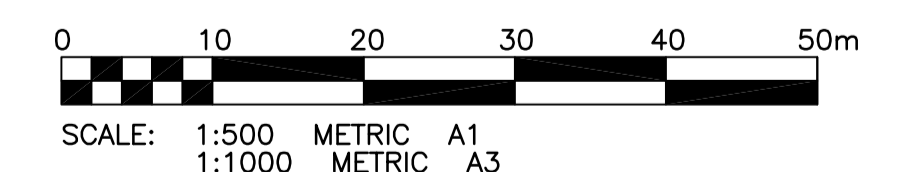


DETECTABLE WARNING SURFACE FOR MULTI-USE PATHS
SCALE: NTS

PROPERTY LIMITS DELINEATION
DELINEATION OF PROPERTY LIMITS AS SHOWN ON THIS DWG DOES NOT REPRESENT A "LEGAL SURVEY". KGS GROUP MAKES NO REPRESENTATION OR WARRANTY AS TO THE ACCURACY OF PROPERTY LIMITS DELINEATED ON THIS DWG, NOR ON THE DIMENSIONAL ACCURACY OF DWG FEATURES RELATIVE TO THOSE PROPERTY LIMITS.

METRIC
WHOLE NUMBERS INDICATE MILLIMETRES
DECIMALIZED NUMBERS INDICATE METRES

APEGM
Certificate of Authorization
KGS Group
No. 245 Date: 10/05/03



EXISTING	LEGEND-PLAN	PROPOSED	EXISTING	LEGEND-PLAN	PROPOSED	EXISTING	LEGEND-PROFILE	PROPOSED
150 WM	WATERMAIN	150 WM	HYDRO	M.T.S.	150 WM	WATERMAIN	150 WM	WATERMAIN
+	HYDRANT	+	+	CONCRETE	+	HYDRANT, VALVE	+	HYDRANT, VALVE
⊗	VALVE	⊗	---	ASPHALT	---	LAND DRAINAGE SEWER	---	LAND DRAINAGE SEWER
300 LDS	LAND DRAINAGE SEWER	300 LDS	---	---	---	WASTE WATER SEWER	---	WASTE WATER SEWER
250 WWS	WASTE WATER SEWER	250 WWS	---	SIDEWALK	---	Q. PROFILE	---	Q. PROFILE
○	MANHOLE	○	○	KGS TEST HOLE	○	NORTH/WEST GUTTER	---	NORTH/WEST GUTTER
□	CATCH BASIN	□	---	PROPERTY LINE	---	SOUTH/EAST GUTTER	---	SOUTH/EAST GUTTER
▽	CURB INLET	▽	---	SURVEY BAR	---	N/W, S/E R'S	---	N/W, S/E R'S
+	JUNCTIONS	+	---	DITCH	---	N/W, S/E TOP/CURB	---	N/W, S/E TOP/CURB
---	CULVERT	---	---	ELEVATION	---	NORTH/WEST DITCH	---	NORTH/WEST DITCH
---	GAS	---	---	---	---	SOUTH/EAST DITCH	---	SOUTH/EAST DITCH
---	---	---	---	---	---	---	---	---

LOCATION APPROVED UNDERGROUND STRUCTURES
SUPV. U/G STRUCTURES COMMITTEE DATE
NOTE:
LOCATION OF UNDERGROUND STRUCTURES AS SHOWN ARE BASED ON THE BEST INFORMATION AVAILABLE BUT NO GUARANTEE IS GIVEN THAT ALL EXISTING UTILITIES ARE SHOWN OR THAT THE GIVEN LOCATIONS ARE EXACT. CONFIRMATION OF EXISTENCE AND EXACT LOCATION OF ALL SERVICES MUST BE OBTAINED FROM THE INDIVIDUAL UTILITIES BEFORE PROCEEDING WITH CONSTRUCTION.

NO.	REVISIONS	DATE	BY
0	ISSUED FOR TENDER	10/05/03	

KGS GROUP CONSULTING ENGINEERS
SCATLIFF + MILLER + MURRAY INC.
DESIGNED BY: CR
DRAWN BY: DMW
HOR. SCALE: 1:500
VERTICAL: 1:50
CHECKED BY:
APPROVED BY:
RELEASED FOR CONSTRUCTION:
DATE: 09/12/16

ENGINEER'S SEAL
PROVINCE OF MANITOBA
M.C. ROWBOTHAM
Member
REGISTERED PROFESSIONAL ENGINEER
CONSULTANT DRAWING NO.
09-0107-21_C26

THE CITY OF WINNIPEG PUBLIC WORKS DEPARTMENT
PROJECT TITLE
2010 ACTIVE TRANSPORTATION / INFRASTRUCTURE STIMULUS PROGRAM
SHERWIN RD. - SASKATCHEWAN AVE. TO NOTRE DAME AVE. STA. 10+75 TO STA. 12+85
SHEET OF
26 OF **35**
COMPUTER FILE NAME
09-0107-21
CITY DRAWING NUMBER
26

F:\Projects\2009\09-0107-21\Drawn\WUP-PL01.dwg - Tab: 26 Plotted By: Gloewen 05/04/2010 [Tue 11:44am] COWLEGEN