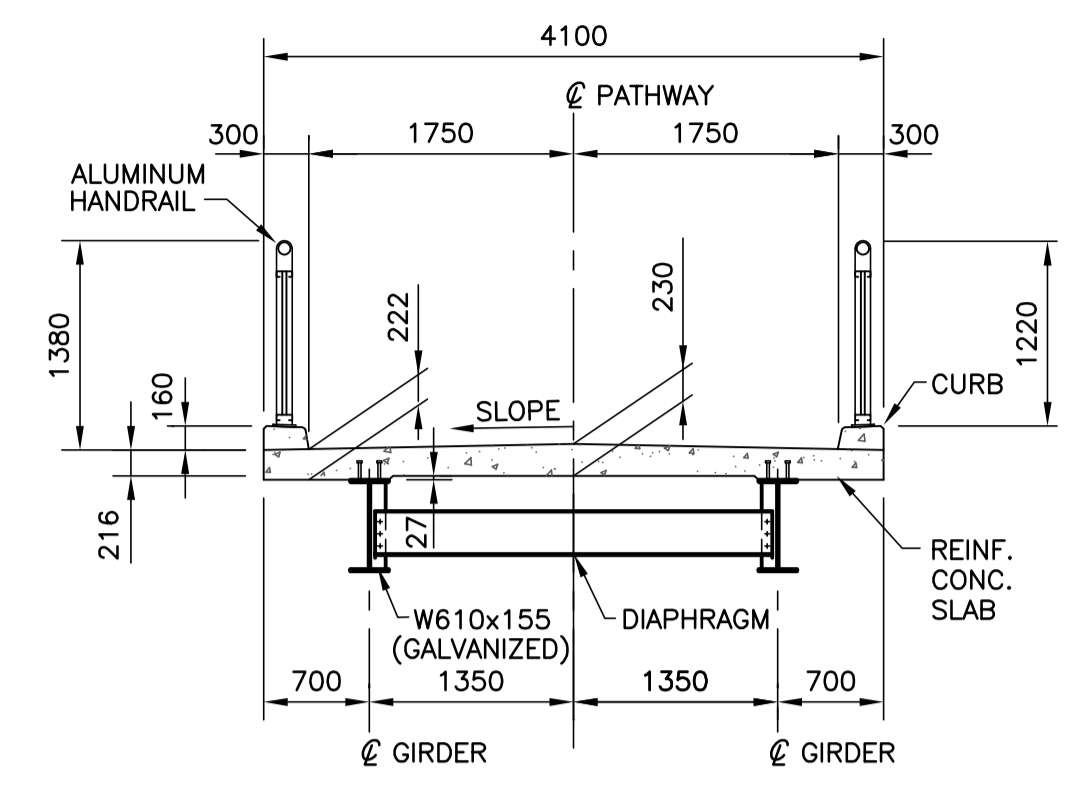
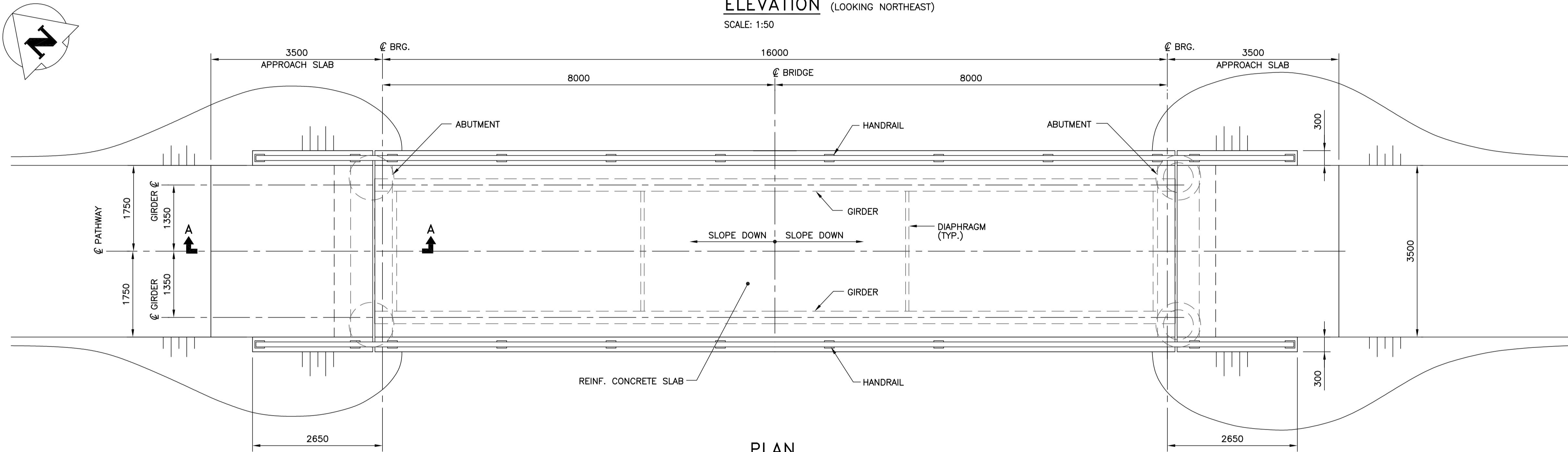


ELEVATION (LOOKING NORTHEAST)
SCALE: 1:50

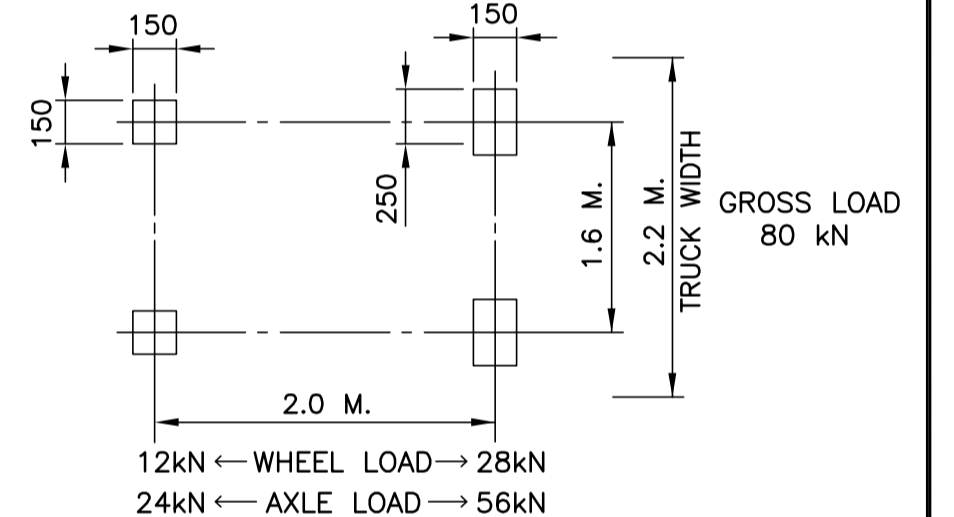


CROSS SECTION
SCALE: 1:50



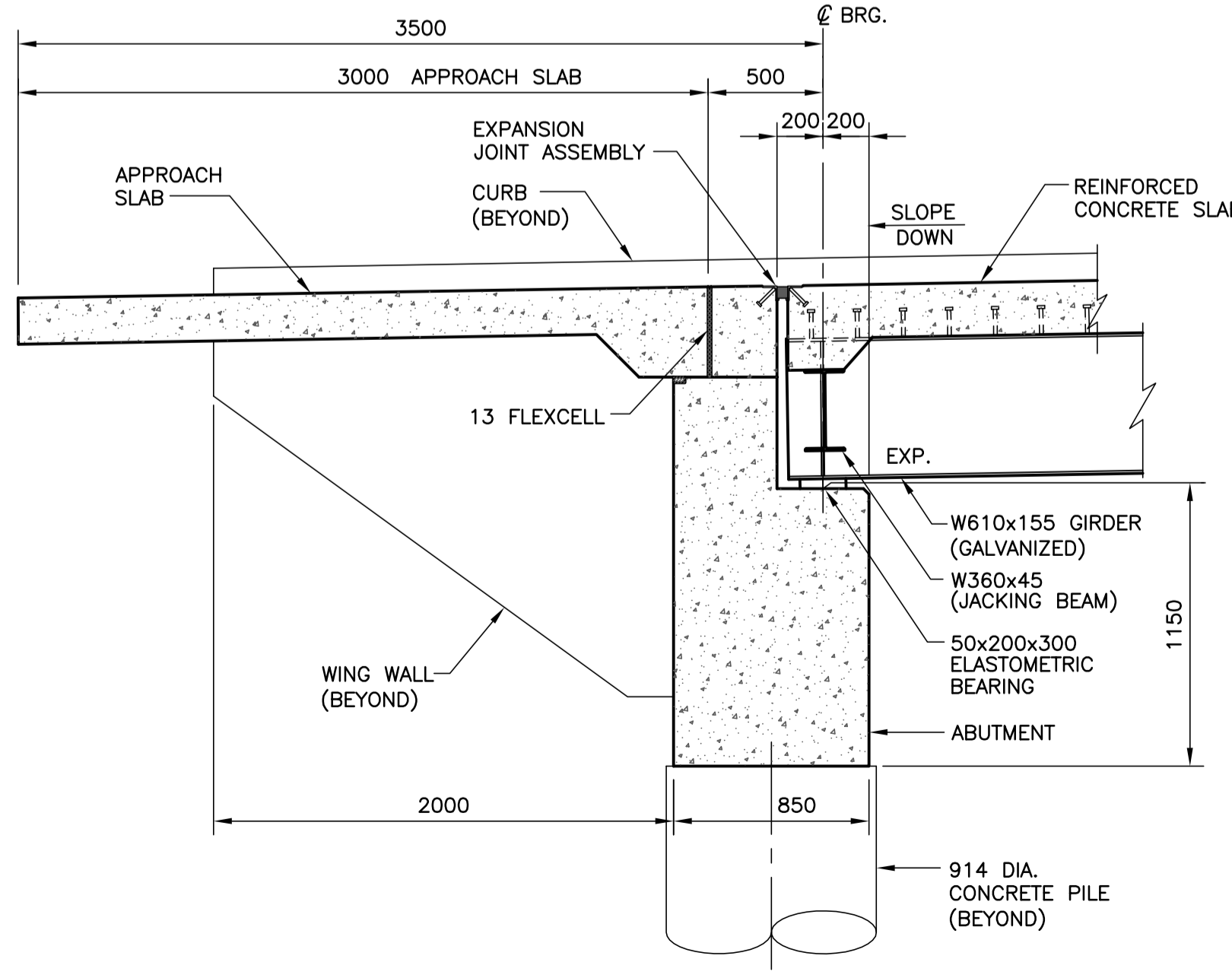
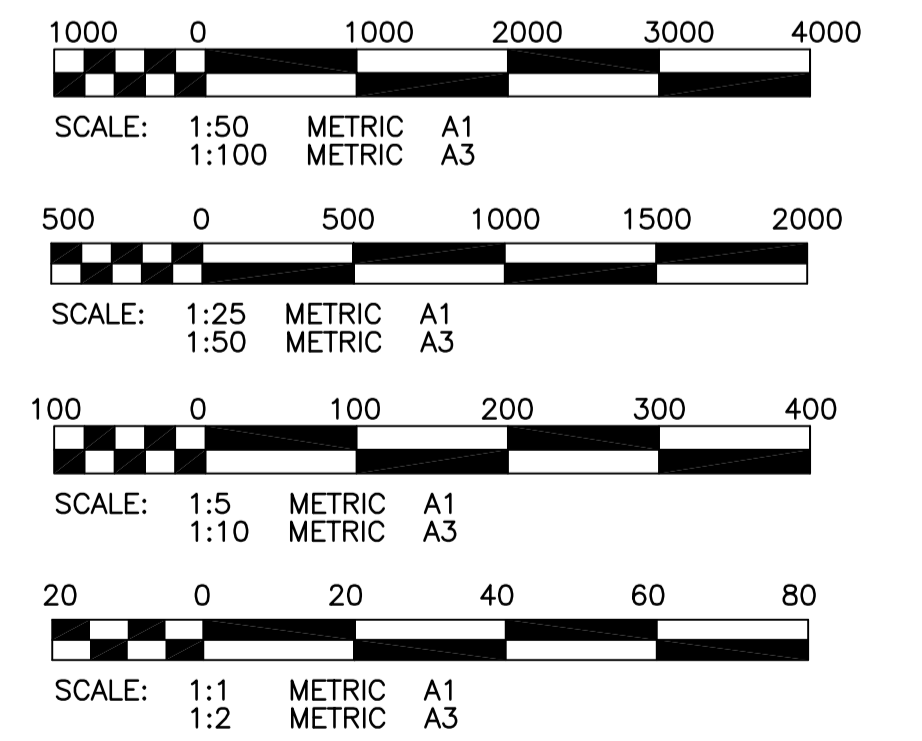
PLAN
SCALE: 1:50

DESIGN DATA
SPECIFICATION: CAN/CSA-S6-06 CANADIAN HIGHWAY BRIDGE DESIGN CODE.
LIVE LOAD: PEDESTRIAN LOAD = 4.5 kPa (AS PER CLAUSE 3.8.9)
MAINTENANCE VEHICLE LOAD (AS PER CLAUSE 3.8.11)

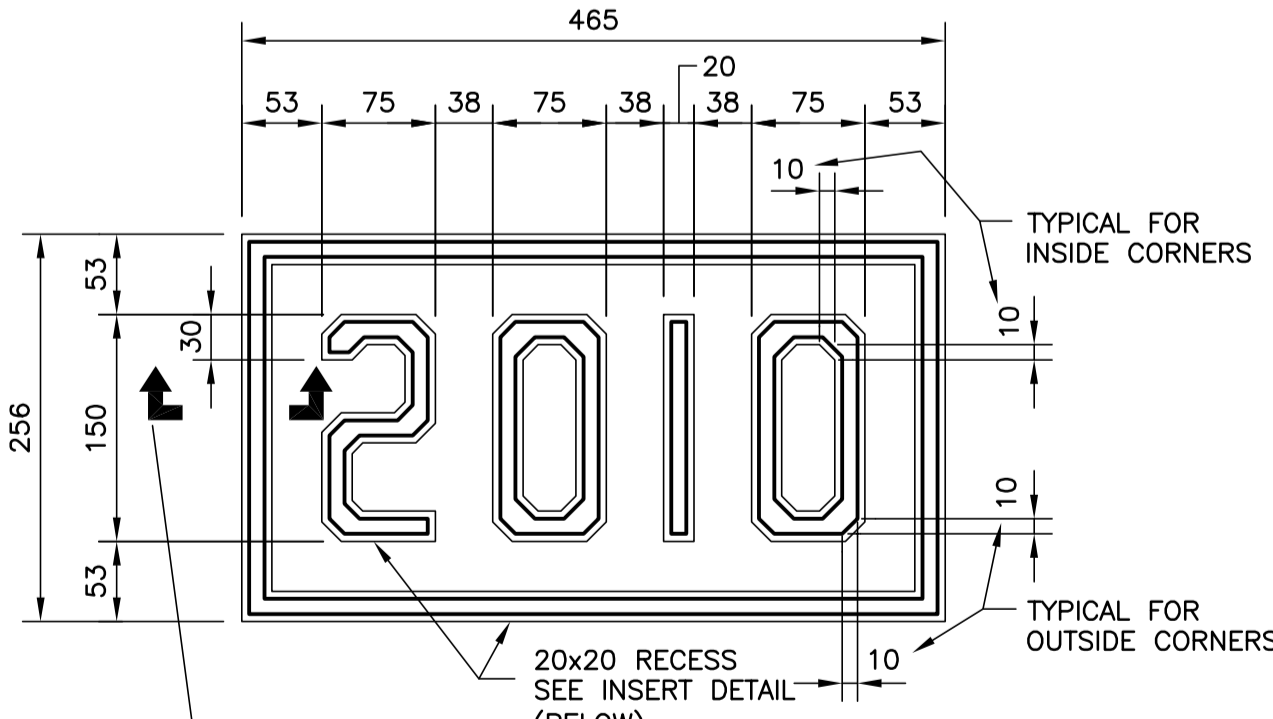


STRUCTURAL CONCRETE: DECK, APPROACH SLAB & CURBS - $f_c=35$ MPa
REINFORCING STEEL: GRADE 400W (GALVANIZED)
STRUCTURAL STEEL: GRADE 350 (GALVANIZED)

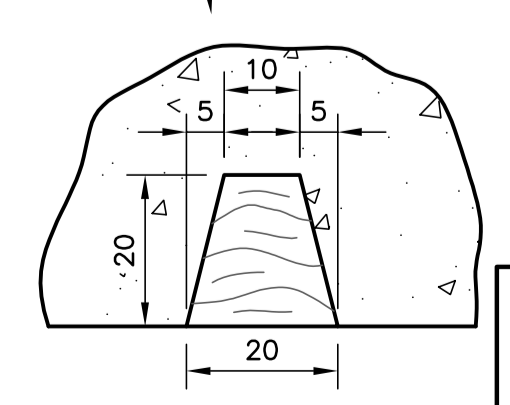
METRIC
WHOLE NUMBERS INDICATE MILLIMETRES
DECIMALIZED NUMBERS INDICATE METRES



SECTION A-A
SCALE: 1:25



DETAIL - DATE MARKER
SCALE: 1:5



INSERT DETAIL
SCALE: 1:1

APEGM
Certificate of Authorization
KGS Group
No. 245 Date: 10/05/03

B.M.	XX-XXX				
ELEV.	XXX.XXX				
DESIGNED BY	RJL	CHECKED BY			
DRAWN BY	JF	APPROVED BY			
SCALE:	AS NOTED	RELEASED FOR CONSTRUCTION:			
NO.	REVISIONS	DATE	BY	DATE	
0	ISSUED FOR TENDER	10/05/03	RJL		
				10/02/19	

KGS GROUP
CONSULTING ENGINEERS
SCATLIFF+MILLER+MURRAY Inc.
TEL: 204-921-0444 FAX: 204-921-0443 21-18 WINTER HARBOR WINNIPEG, MB, CANADA

ENGINEER'S SEAL
PROVINCE OF MANITOBA
R.J. LONG
REGISTERED PROFESSIONAL ENGINEER

THE CITY OF WINNIPEG
PUBLIC WORKS DEPARTMENT
Winnipeg

2010 ACTIVE TRANSPORTATION / INFRASTRUCTURE STIMULUS PROGRAM
TRURO CREEK BRIDGE
ELEVATION, PLAN AND CROSS SECTION

SHEET 28 OF 35
CAD FILE: DRAWING NUMBER 09-0107-21-28
CITY DRAWING NUMBER B238-10-01

CONSULTANT DRAWING NO. 295-2010 B238-10-01

F:\Projects\2009\09-0107-21\Drawings\Struct\Working Drawings\09-0107-21-28 Rev.0.dwg - Tab: 28 Plotted By: GLoewen 05/04/2010 [Tue 1:50pm] COWLEGEN