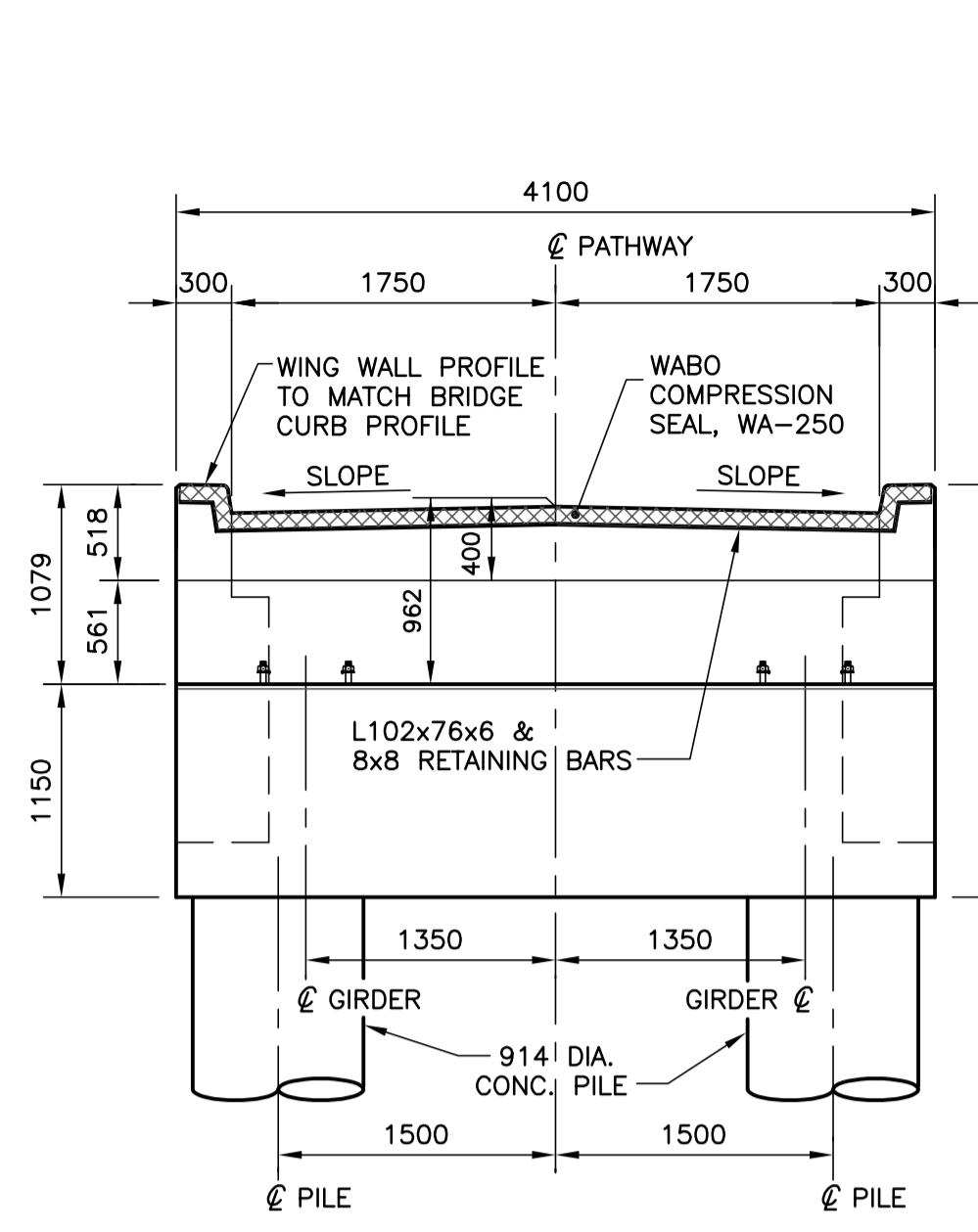
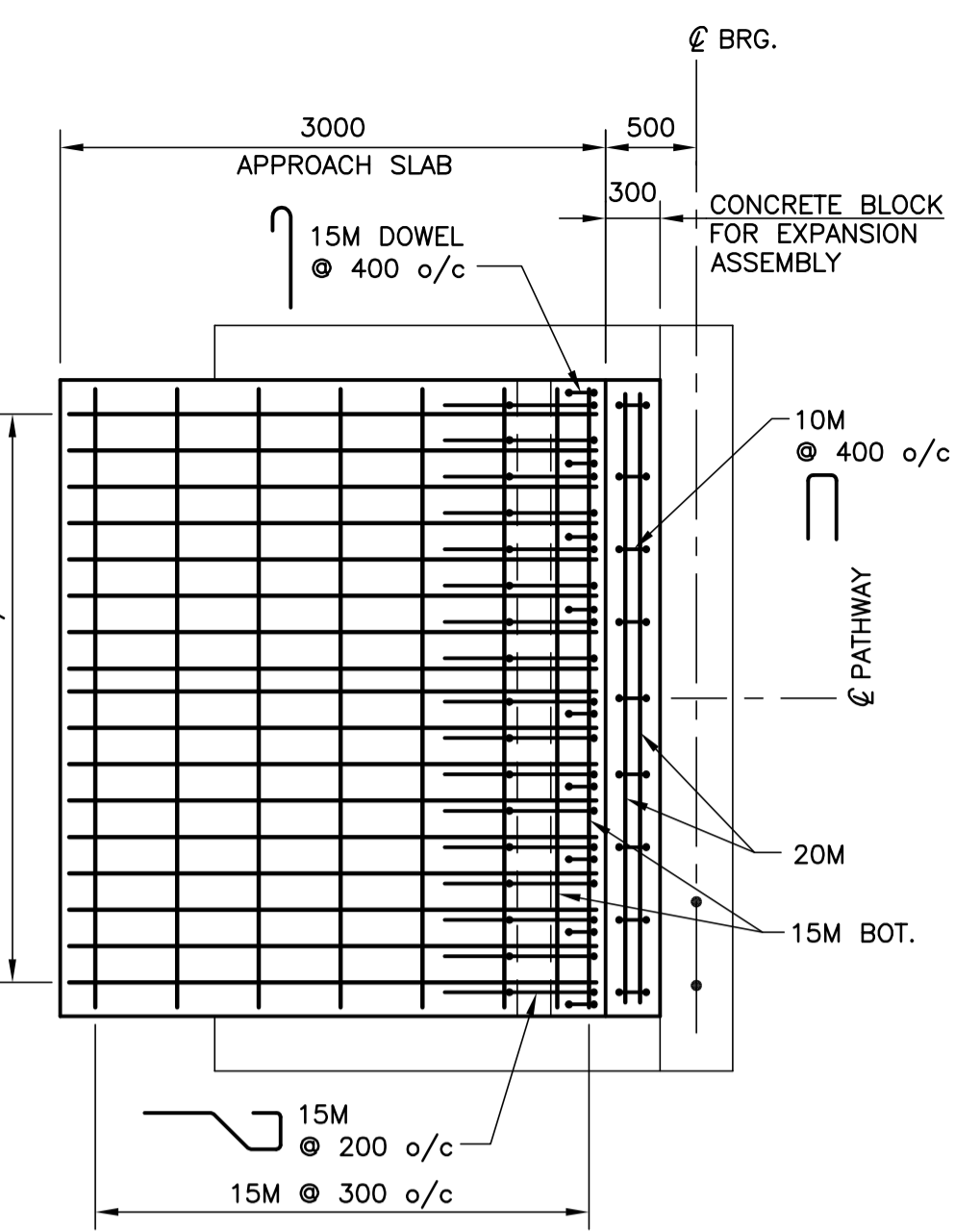


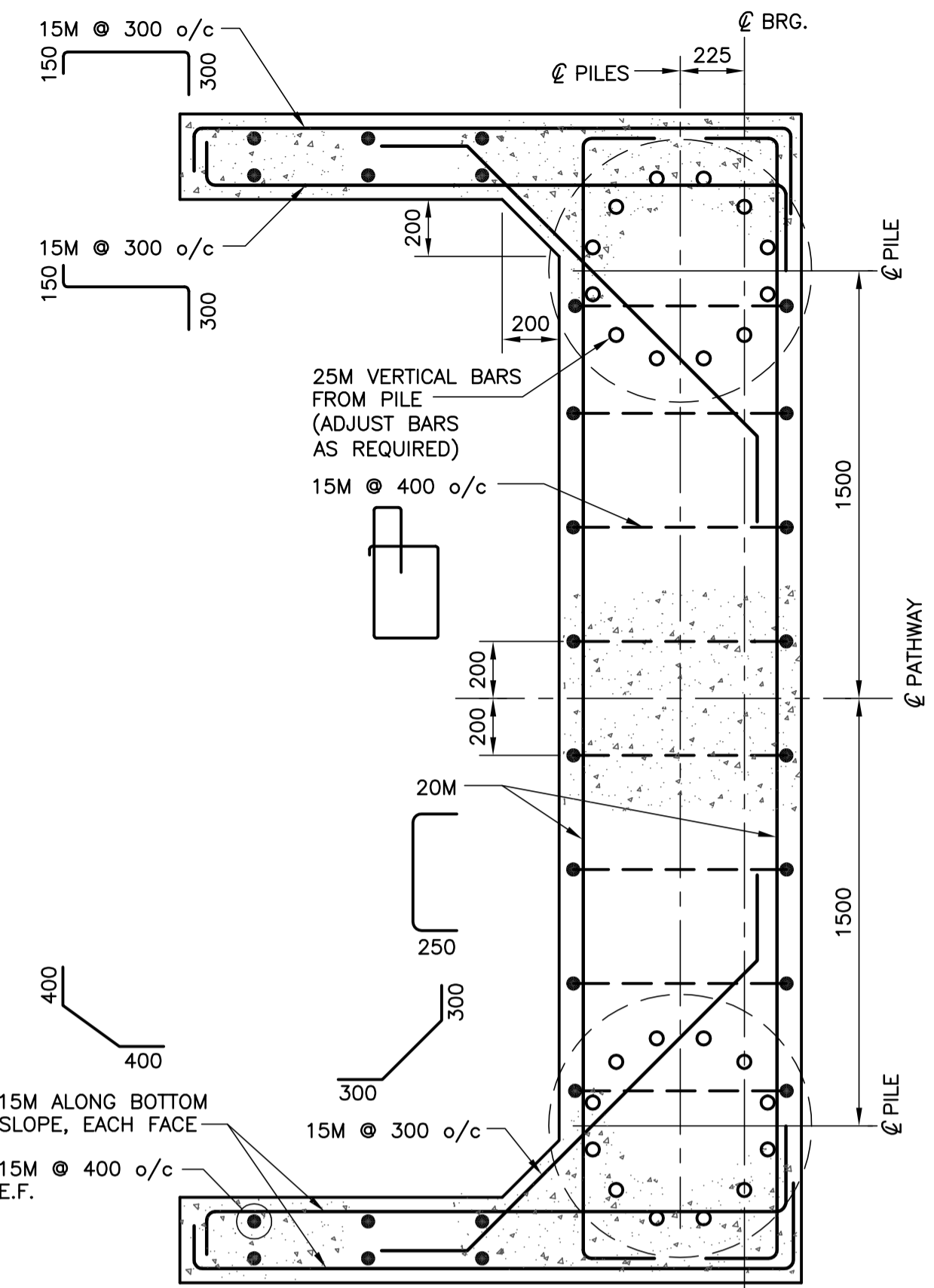
EXPANSION END **FIXED END**
PLAN - ABUTMENT, WING-WALLS & APPROACH SLAB
 SCALE: 1:40



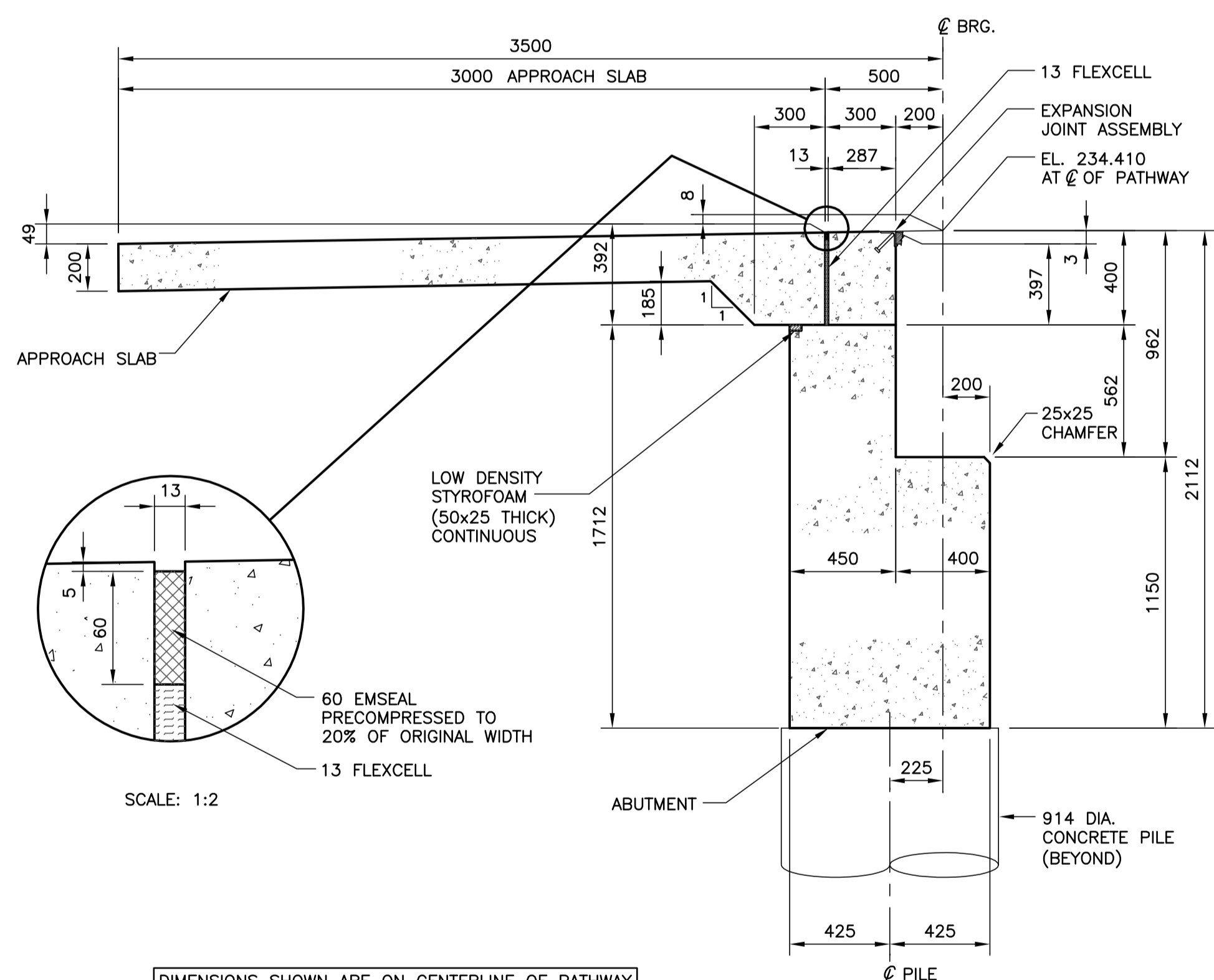
ELEVATION D-D
 SCALE: 1:40



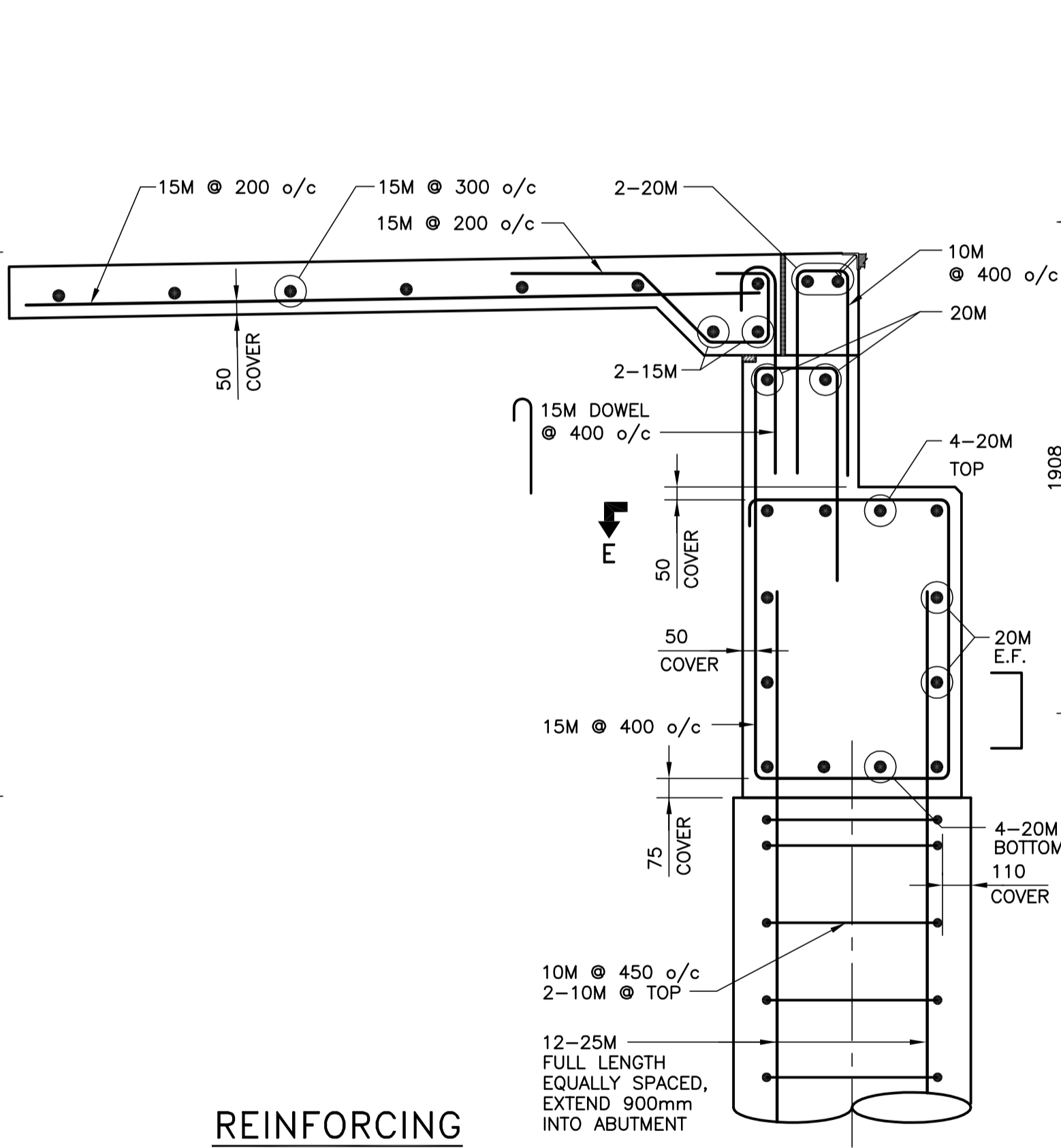
REINFORCING PLAN - APPROACH SLAB
 SCALE: 1:40



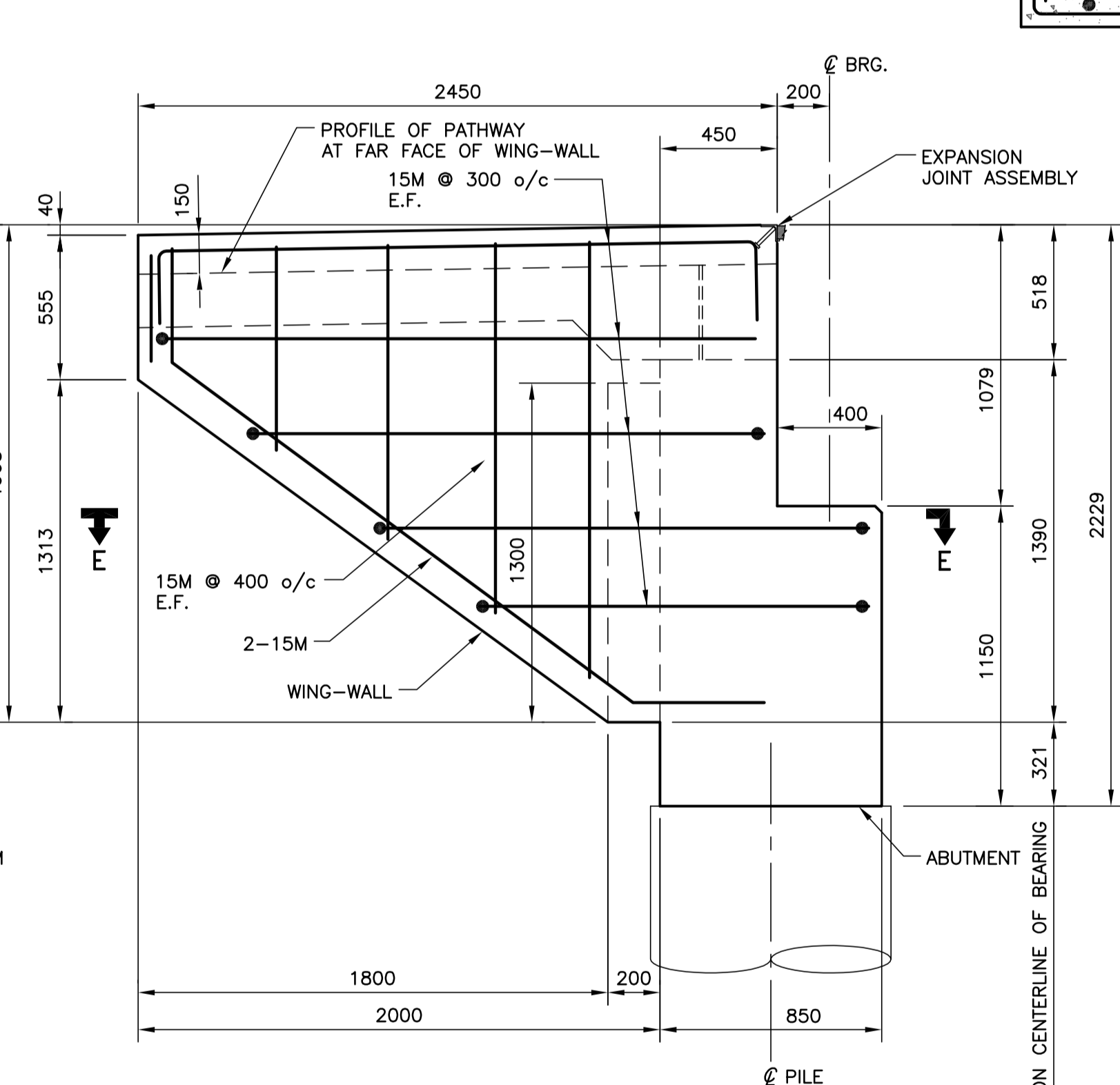
SECTION E-E
 SCALE: 1:20



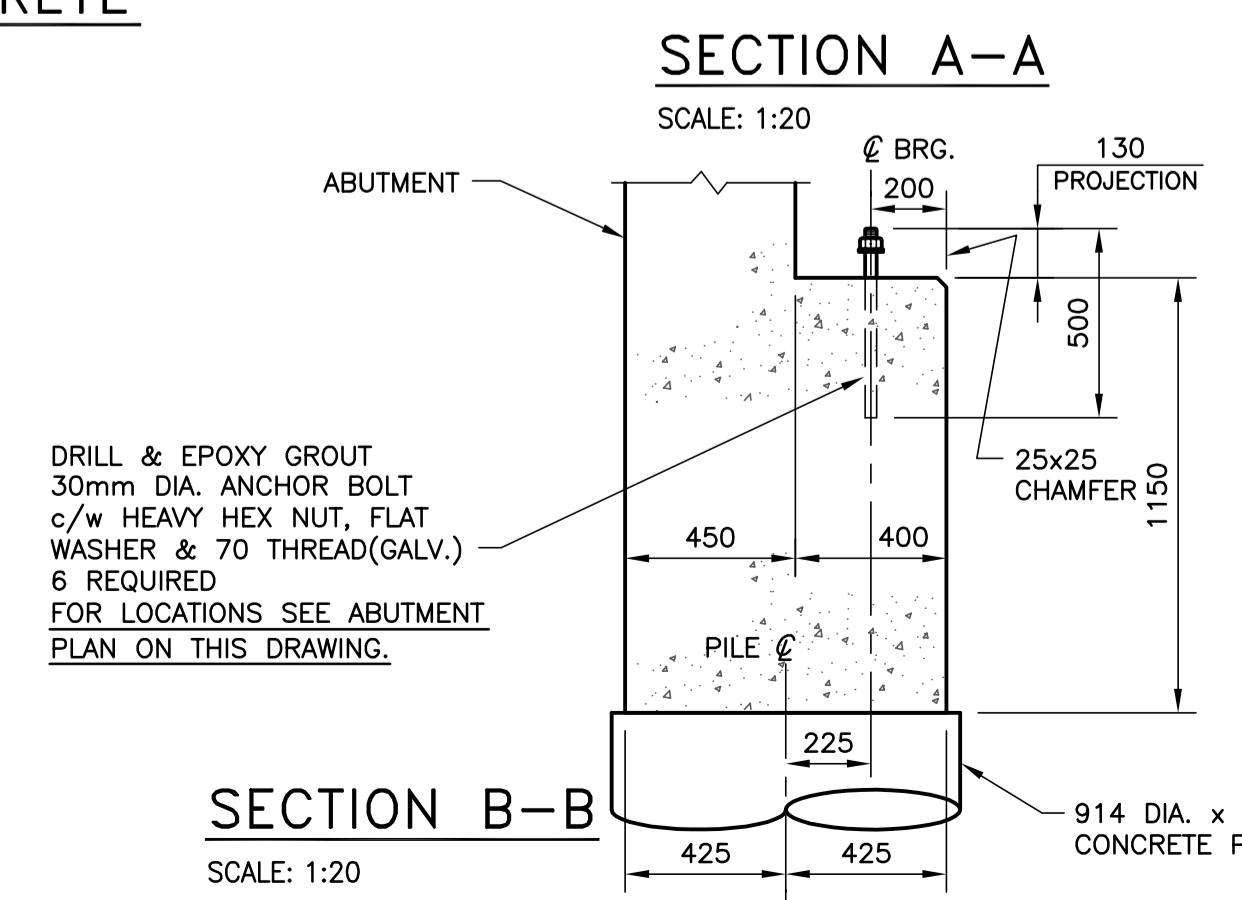
CONCRETE



REINFORCING

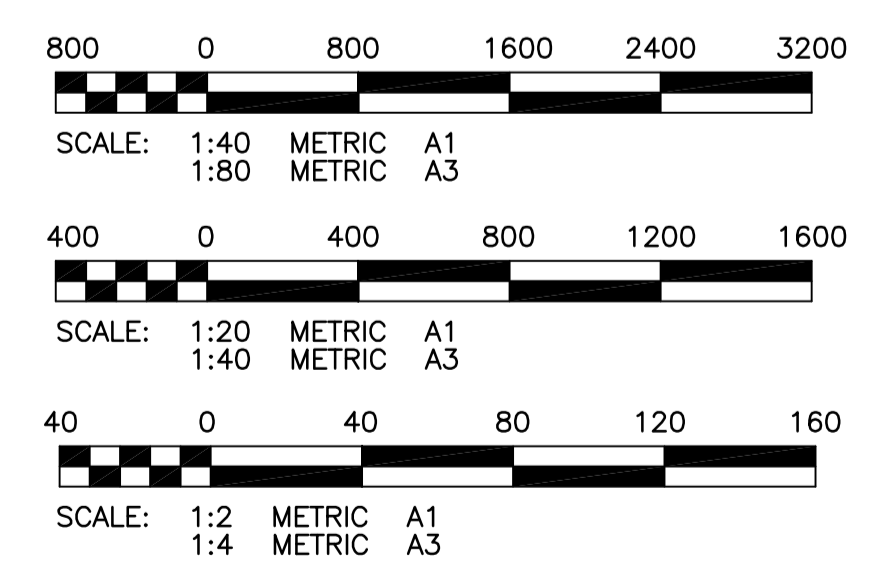


ELEVATION C-C - WING-WALL
 SCALE: 1:20



SECTION B-B
 SCALE: 1:20

METRIC
 WHOLE NUMBERS INDICATE MILLIMETRES
 DECIMALIZED NUMBERS INDICATE METRES



P:\Projects\2009\09-0107-21\Drawings\Struct\Working Dwg\09-0107-21-29 Rev.0.dwg - Tab: 29 Plotted By: Gloewen 05/04/2010 [Tue 1:51pm]
 COWLEND

APEGM
 Certificate of Authorization
 KGS Group
 No. 245 Date: 10/05/03

B.M.	XX-XXX
ELEV.	XXX.XXX
DESIGNED BY	RJL
CHECKED BY	
DRAWN BY	JF
APPROVED BY	
SCALE:	AS NOTED
RELEASED FOR CONSTRUCTION:	
ISSUED FOR TENDER	10/05/03 RJL
NO. REVISIONS	DATE BY
	10/03/15

KGS GROUP
 CONSULTING ENGINEERS
 TEL: 204.942.0444 FAX: 204.942.0443
SCATLUFF+MILLER+MURRAY INC.
 2-10 WILMOT STREET WINNIPEG, MB, CANADA

ENGINEER'S SEAL
R.J. LONG
 REGISTERED PROFESSIONAL ENGINEER
 CONSULTANT DRAWING NO.
295-2010 B238-10-01

THE CITY OF WINNIPEG
 PUBLIC WORKS DEPARTMENT
Winnipeg
 2010 ACTIVE TRANSPORTATION /
 INFRASTRUCTURE STIMULUS PROGRAM
 TRURO CREEK BRIDGE
 ABUTMENT AND APPROACH SLAB
 SHEET 29 OF 35
 CAD FILE: DRAWING NUMBER
 09-0107-21-29
 CITY DRAWING NUMBER
B238-10-01