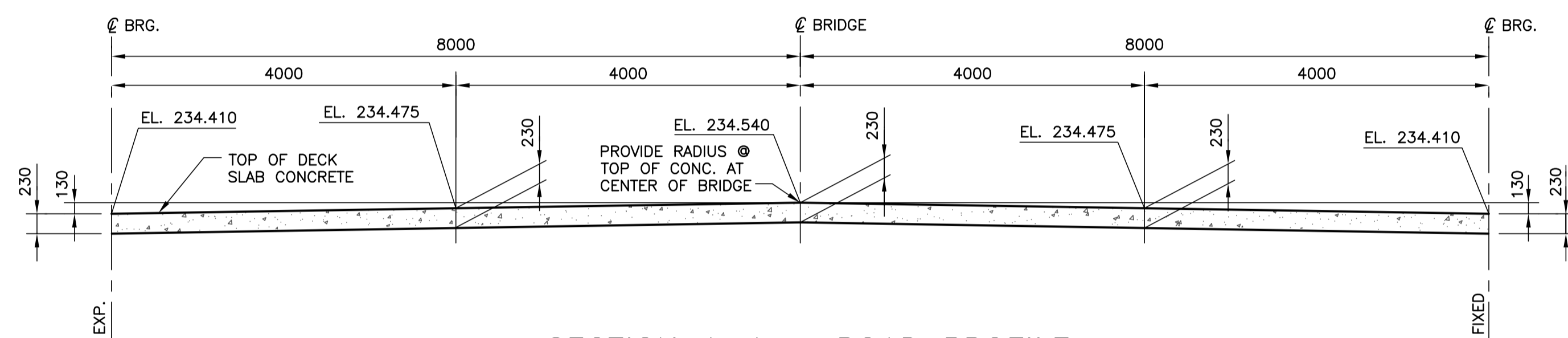


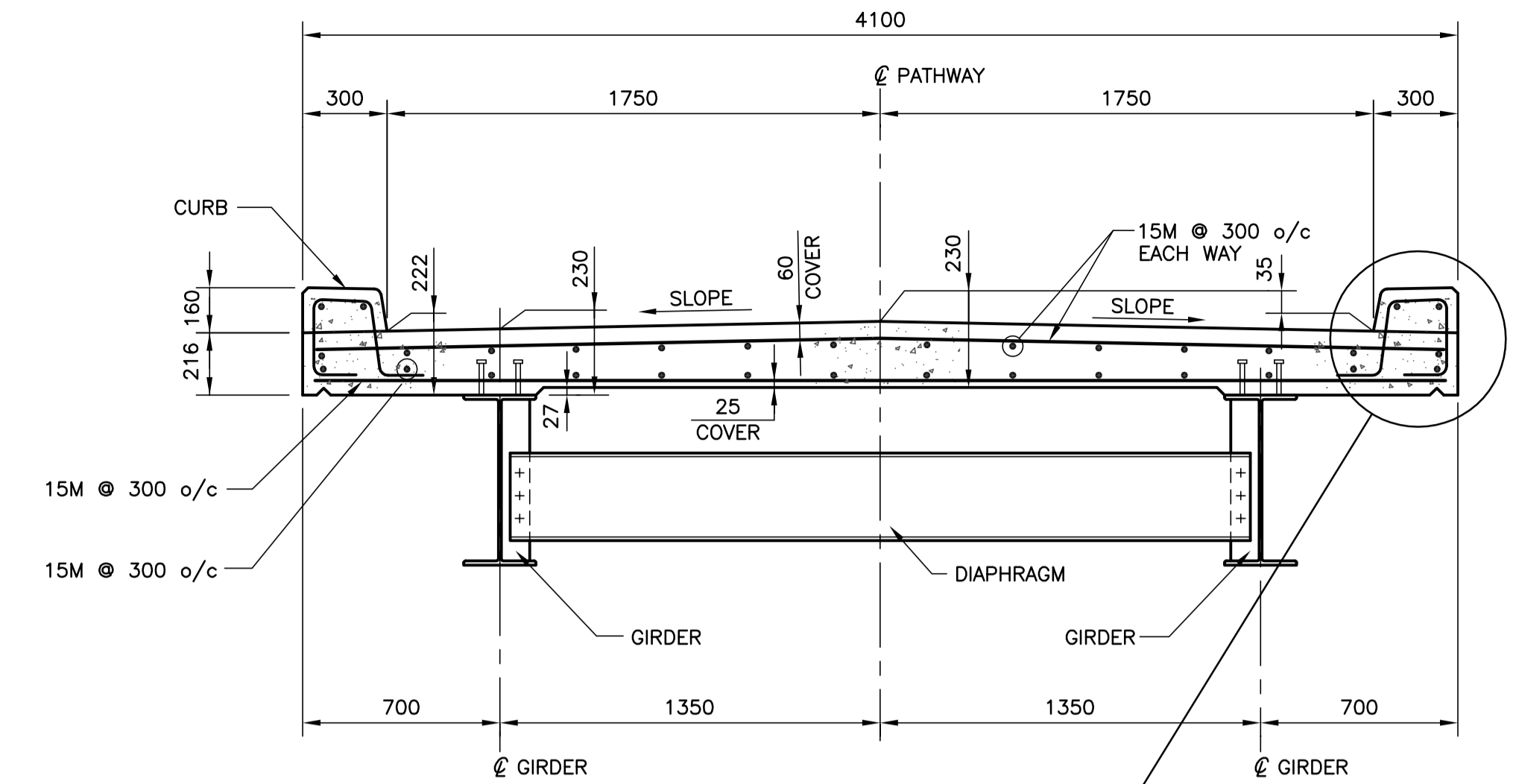
PLAN - ROAD PROFILE

SCALE: 1:50



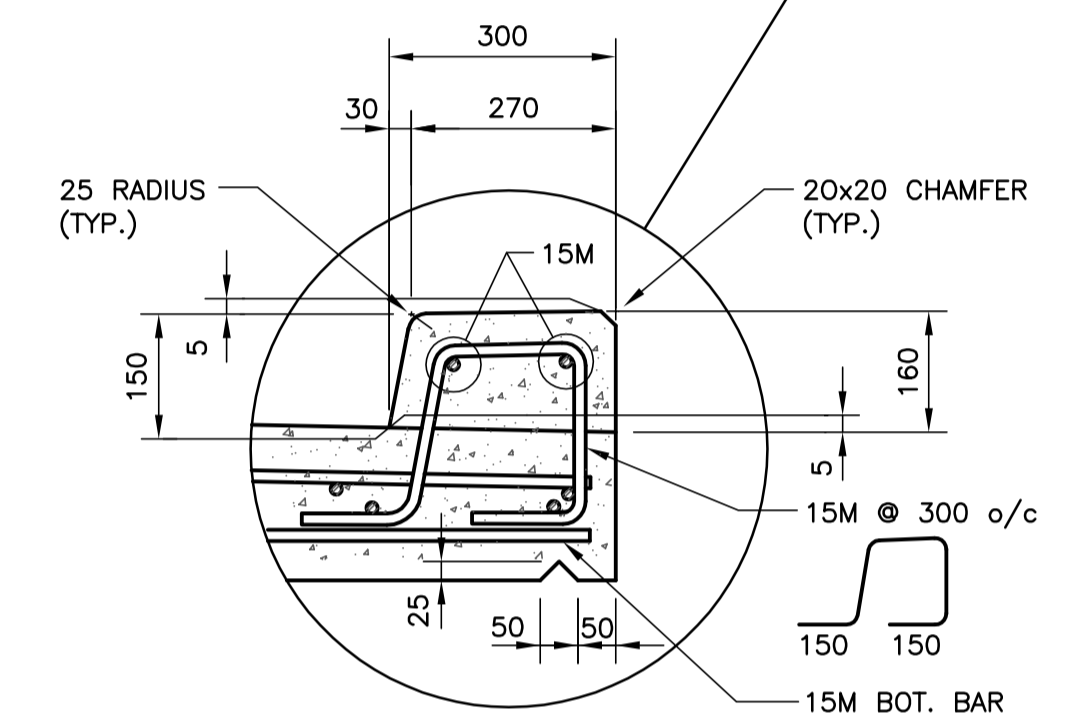
SECTION A-A - ROAD PROFILE

SCALE: 1:50 (© CENTERLINE OF PATHWAY)



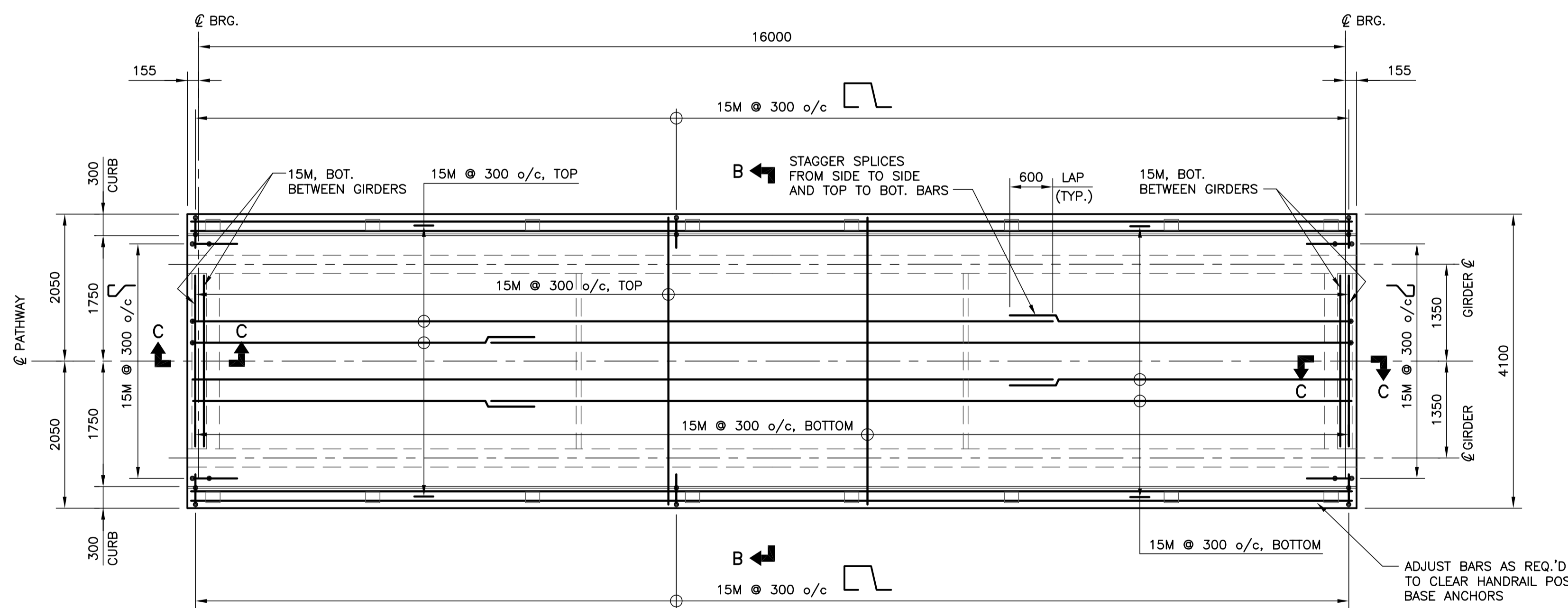
SECTION B-B

SCALE: 1:20



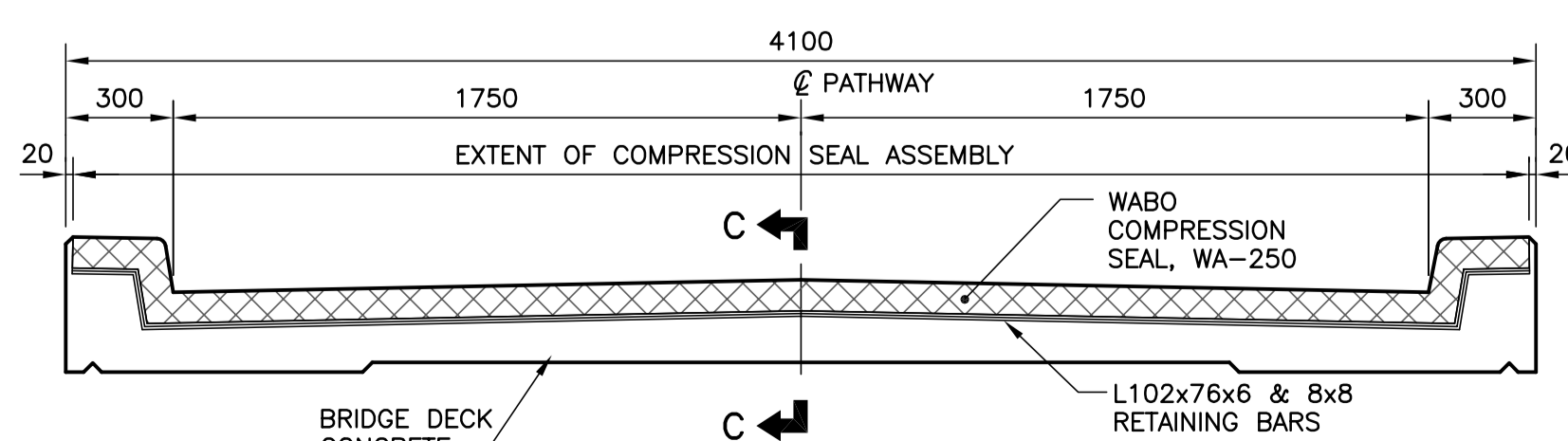
CURB DETAIL

SCALE: 1:10



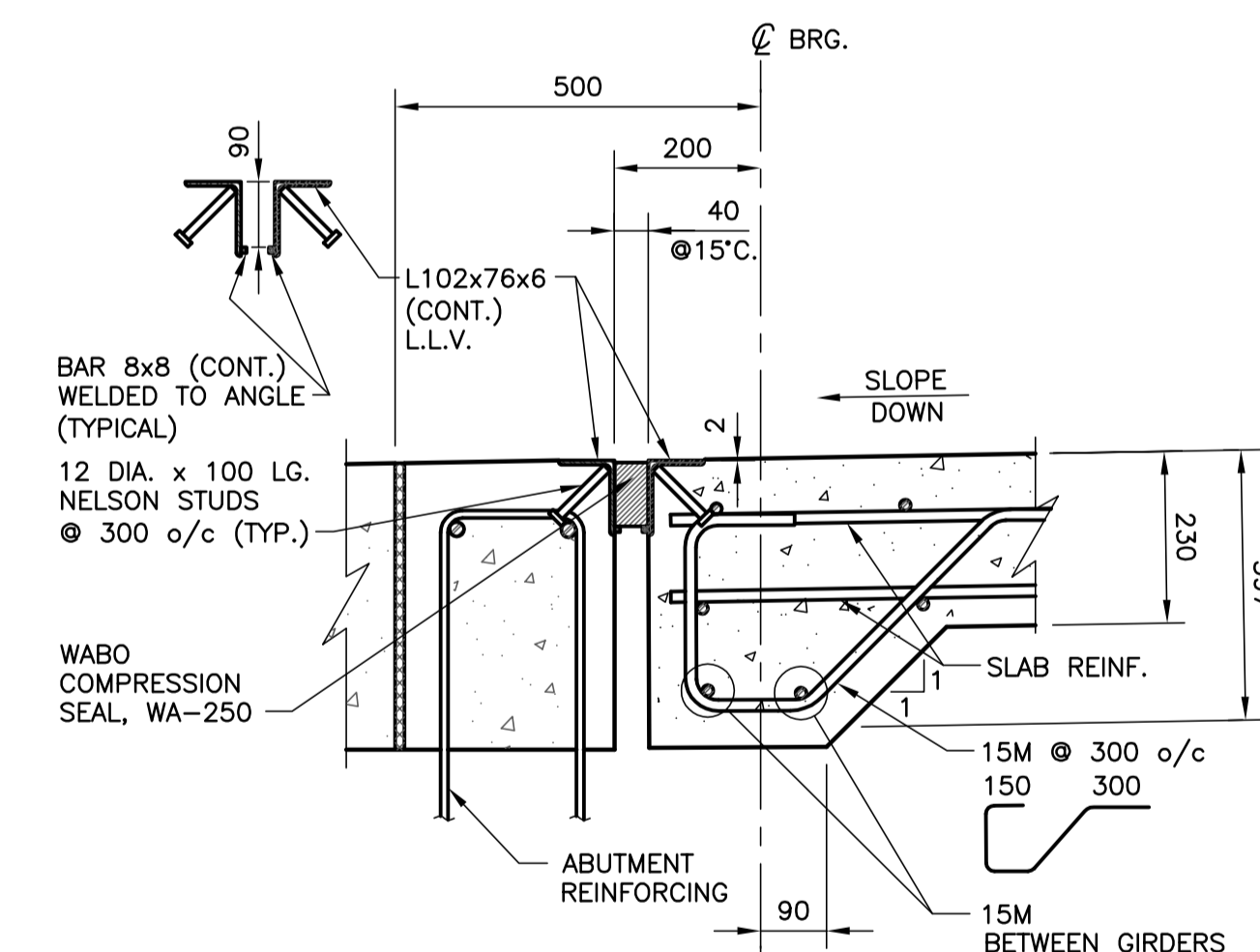
PLAN - DECK SLAB - CONCRETE & REINFORCING

SCALE: 1:50



SECTION D-D

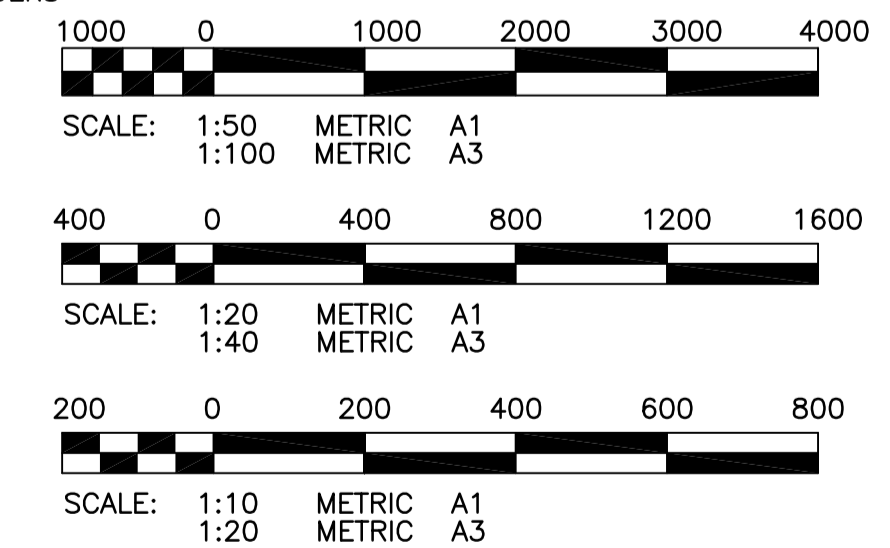
SCALE: 1:20



SECTION C-C - EXPANSION JOINT

SCALE: 1:10

METRIC
WHOLE NUMBERS INDICATE MILLIMETRES
DECIMALIZED NUMBERS INDICATE METRES



P:\Projects\2009\09-0107-21\Drawings\Struct\Working Dwg\09-0107-21-30_Rev.0.dwg - Tab: 30_Plotting By: Gloewen 05/04/2010 [Tue 11:52pm]
 COWLEND

APEGM
Certificate of Authorization
KGS Group
No. 245 Date: 10/05/03

B.M.	XX-XXX				
ELEV.	XXX.XXX				
DESIGNED BY	RJL	CHECKED BY			
DRAWN BY	JF	APPROVED BY			
SCALE:	AS NOTED	RELEASED FOR CONSTRUCTION:			
NO.	REVISIONS	DATE	BY	DATE	
0	ISSUED FOR TENDER	10/05/03	RJL		
				10/03/22	

KGS GROUP
CONSULTING ENGINEERS
SCATLIFF + MILLER + MURRAY Inc.
TEL: 204.924.0444 FAX: 204.921.0443
17-10 WILMINGTON BOULEVARD WINNIPEG, MB. CANADA

ENGINEER'S SEAL
PROVINCE OF MANITOBA
R.J. LONG
REGISTERED PROFESSIONAL ENGINEER

THE CITY OF WINNIPEG
PUBLIC WORKS DEPARTMENT
2010 ACTIVE TRANSPORTATION /
INFRASTRUCTURE STIMULUS PROGRAM
TRURO CREEK BRIDGE
DECK SLAB, CURBS & EXPANSION ASSEMBLY
SHEET 30 OF 35
CAD FILE: DRAWING NUMBER 09-0107-21-30
CITY DRAWING NUMBER B238-10-01