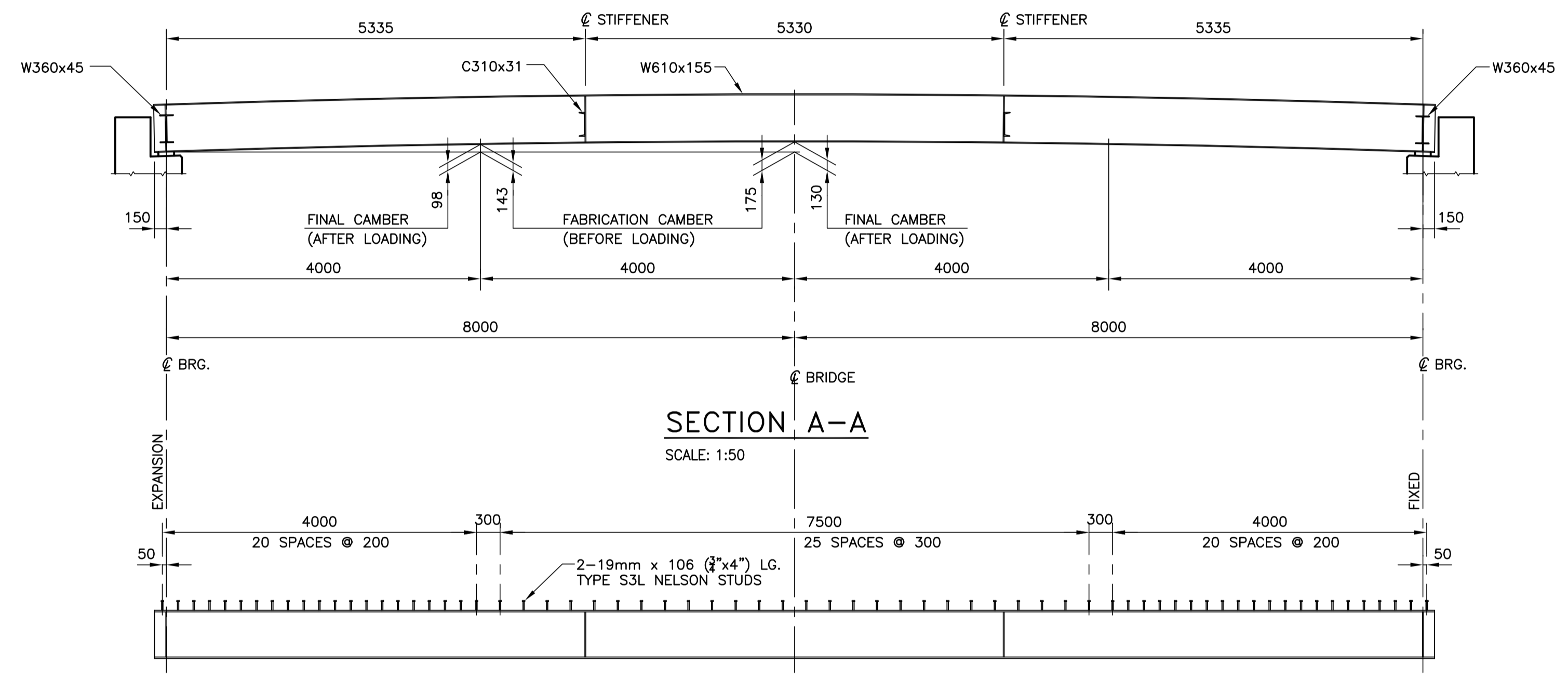
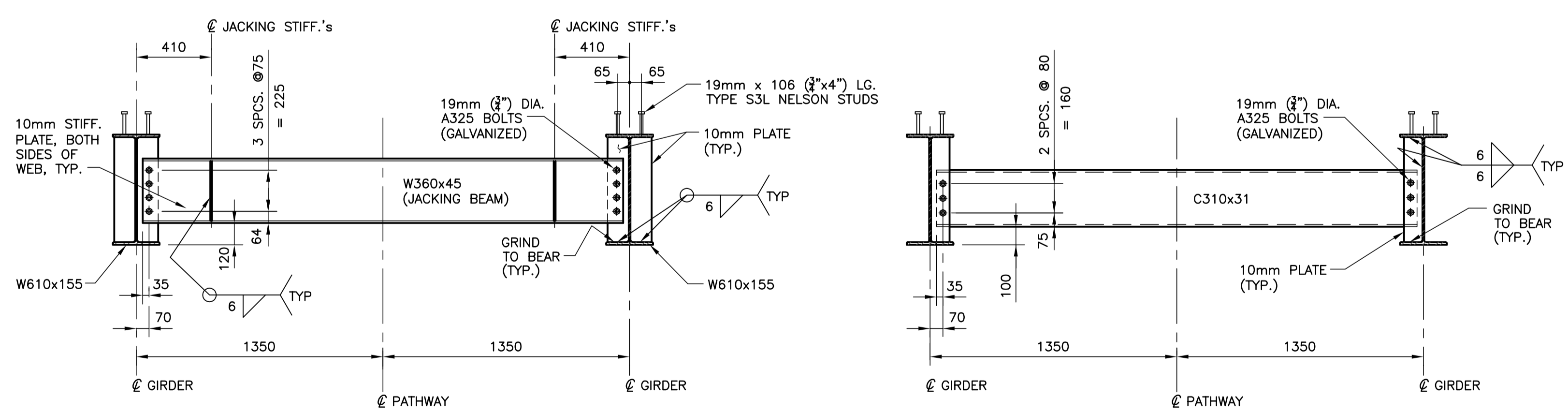


**PLAN - GIRDERS & DIAPHRAGMS**  
SCALE: 1:50



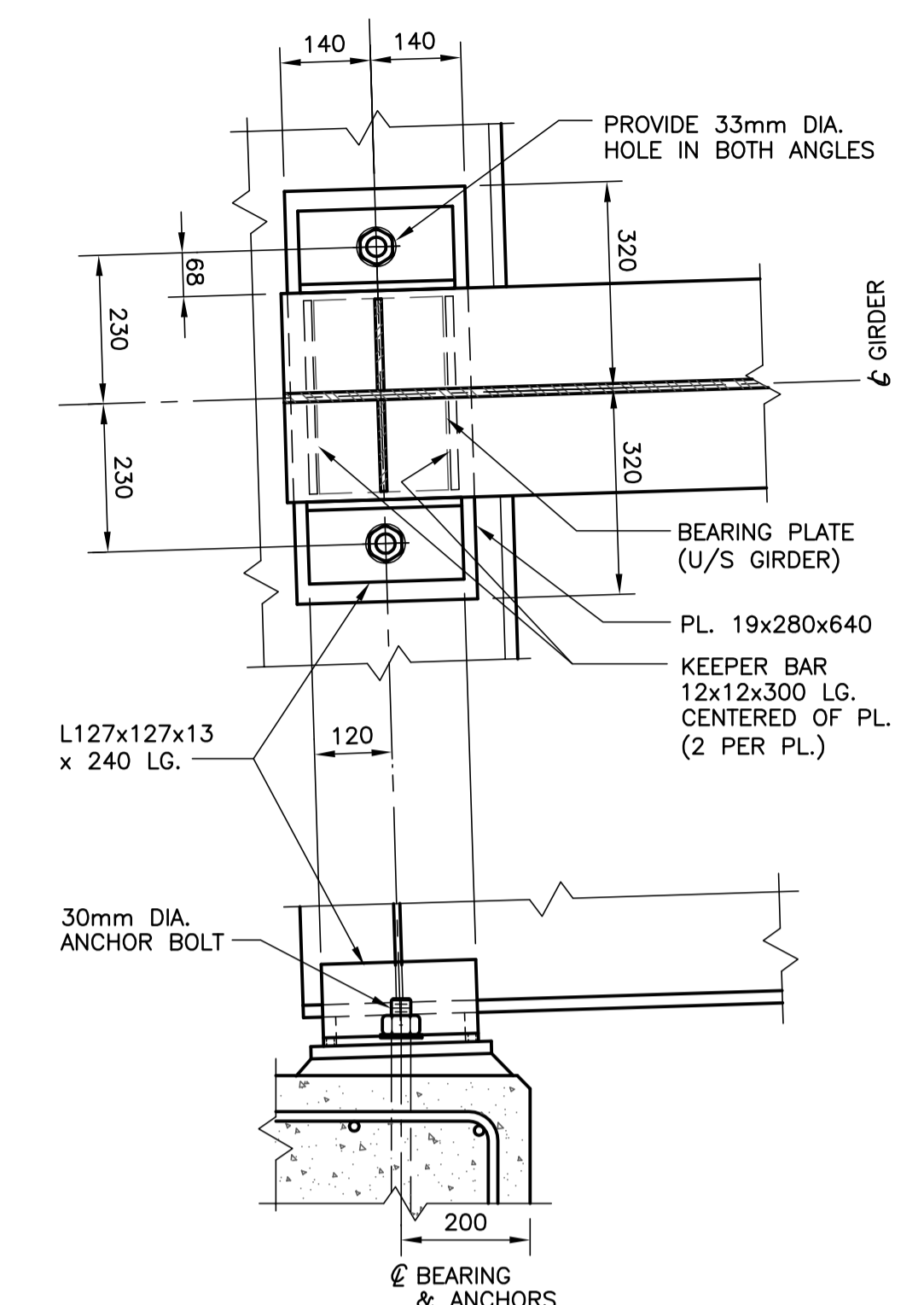
**SECTION A-A**  
SCALE: 1:50

**GIRDER STUD SPACING**  
SCALE: 1:50

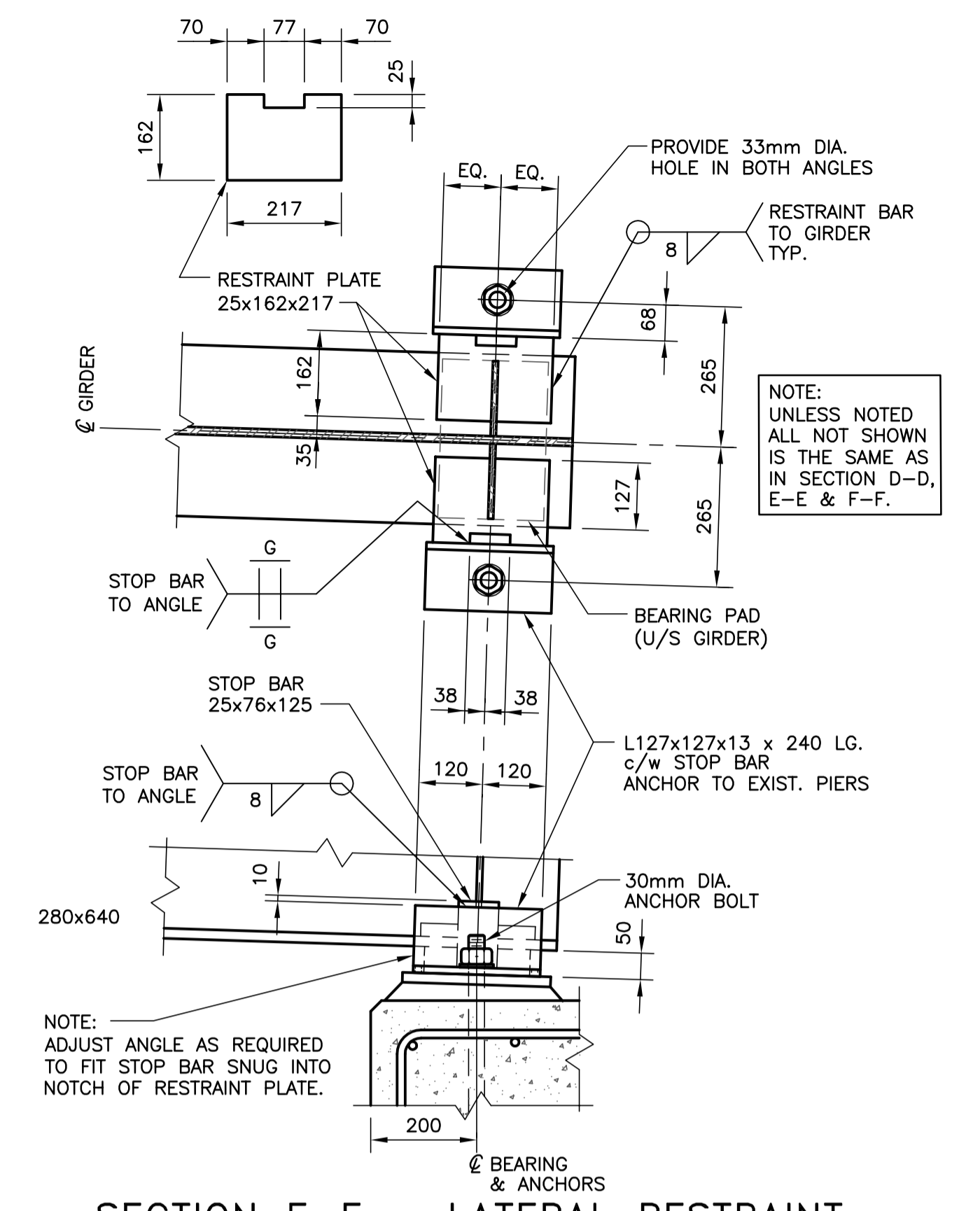


**SECTION B-B**  
SCALE: 1:20

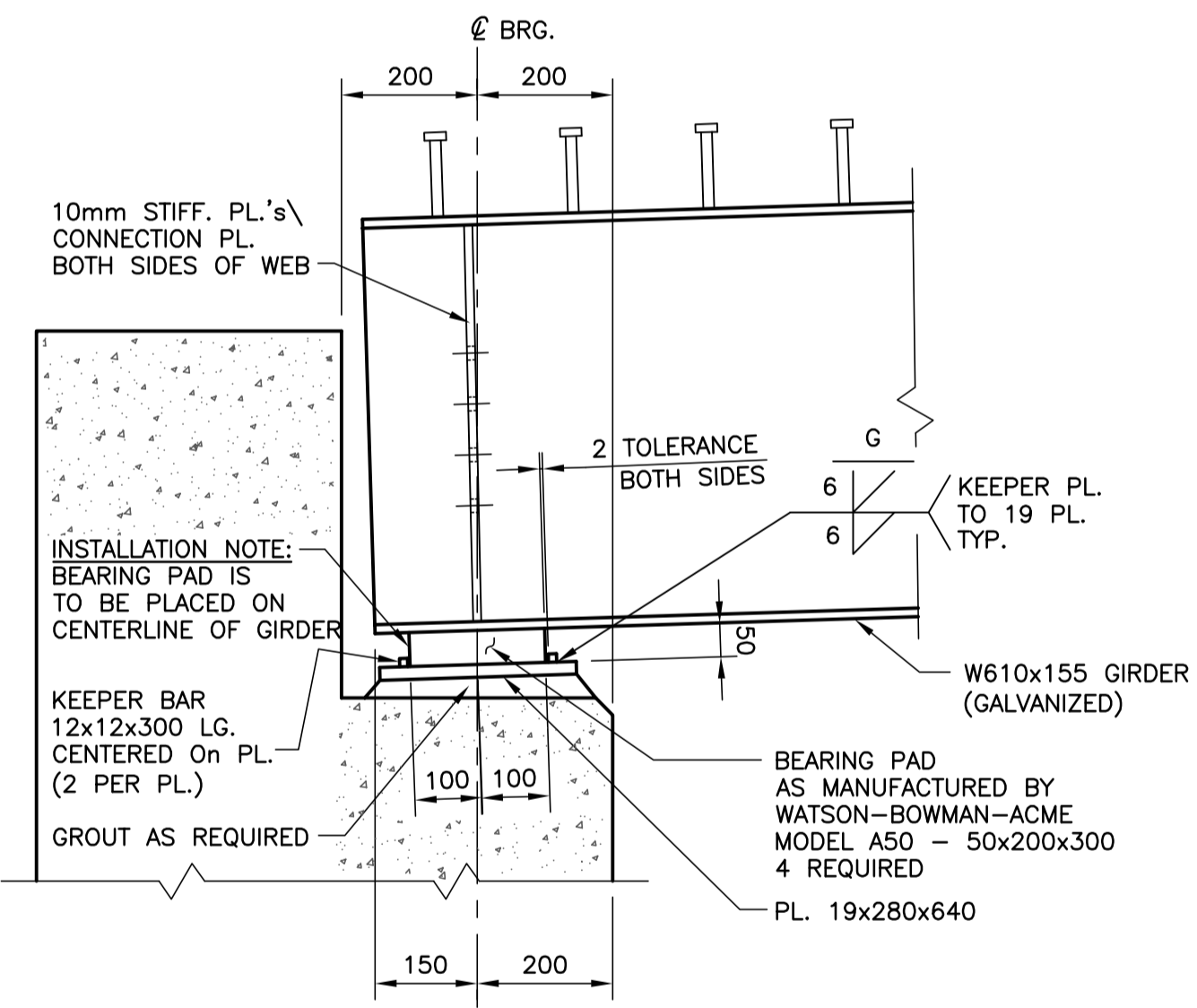
**SECTION C-C**  
SCALE: 1:20



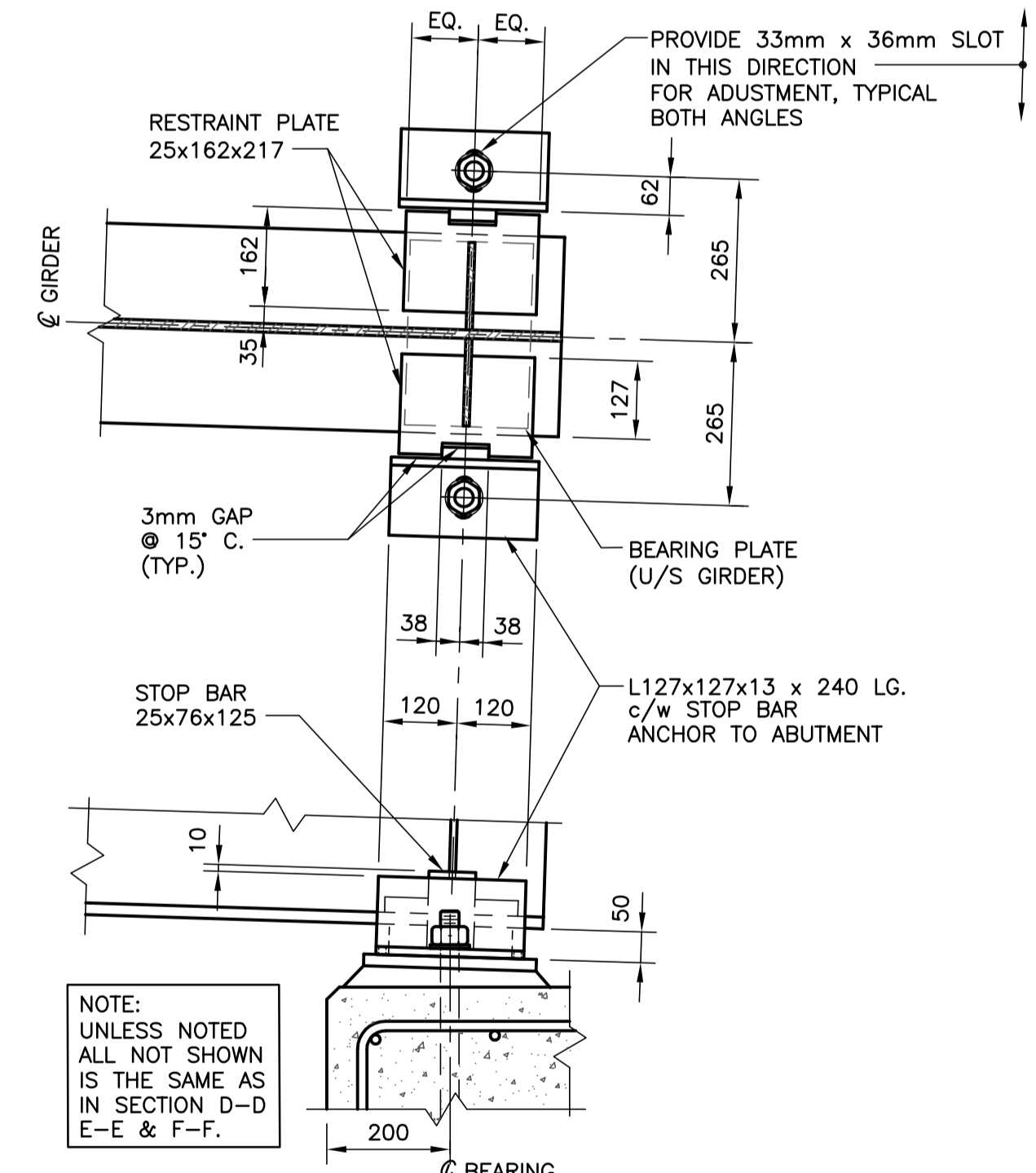
**SECTION D-D - LATERAL RESTRAINT (EXPANSION)**  
SCALE: 1:10



**SECTION F-F - LATERAL RESTRAINT (FIXED)**  
SCALE: 1:10

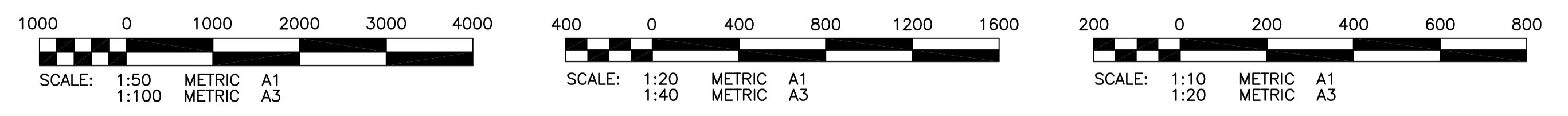


**SECTION E-E - BEARING PAD**  
SCALE: 1:10



**SECTION G-G - LATERAL RESTRAINT (FIXED WITH 3mm LATERAL TOLERANCE, BOTH WAYS)**  
SCALE: 1:10

**METRIC**  
WHOLE NUMBERS INDICATE MILLIMETRES  
DECIMALIZED NUMBERS INDICATE METRES



P:\Projects\2009\09-0107-21\Drawings\Struct\Working Dwg\09-0107-21-31\_Rev.0.dwg - Tab: 31\_Plotting By: GLoewen 05/04/2010 [Tue 1:53pm]  
 COWLEND

**APEGM**  
Certificate of Authorization  
KGS Group  
No. 245 Date: 10/05/03

B.M. XX-XXX ELEV. XXX.XXX					
<b>KGS GROUP</b> CONSULTING ENGINEERS <b>SCATLIFF+MILLER+MURRAY Inc.</b> TEL: 204-942-0444 FAX: 204-942-0443 210 W. WILMOT ST. WINNIPEG, MB. CANADA		DESIGNED BY: R.J.L.	CHECKED BY:	ENGINEER'S SEAL	
		DRAWN BY: J.F.	APPROVED BY:		
SCALE: AS NOTED	RELEASED FOR CONSTRUCTION:				
NO. REVISIONS	DATE	BY	DATE		

**THE CITY OF WINNIPEG**  
PUBLIC WORKS DEPARTMENT

2010 ACTIVE TRANSPORTATION / INFRASTRUCTURE STIMULUS PROGRAM

**TRURO CREEK BRIDGE**  
GIRDERS AND DIAPHRAGMS

SHEET 31 OF 35  
CAD FILE: DRAWING NUMBER 09-0107-21-31  
CITY DRAWING NUMBER B238-10-01