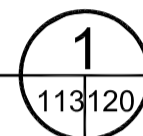


SECTION AT COLUMN

FLATTENED ELEVATION

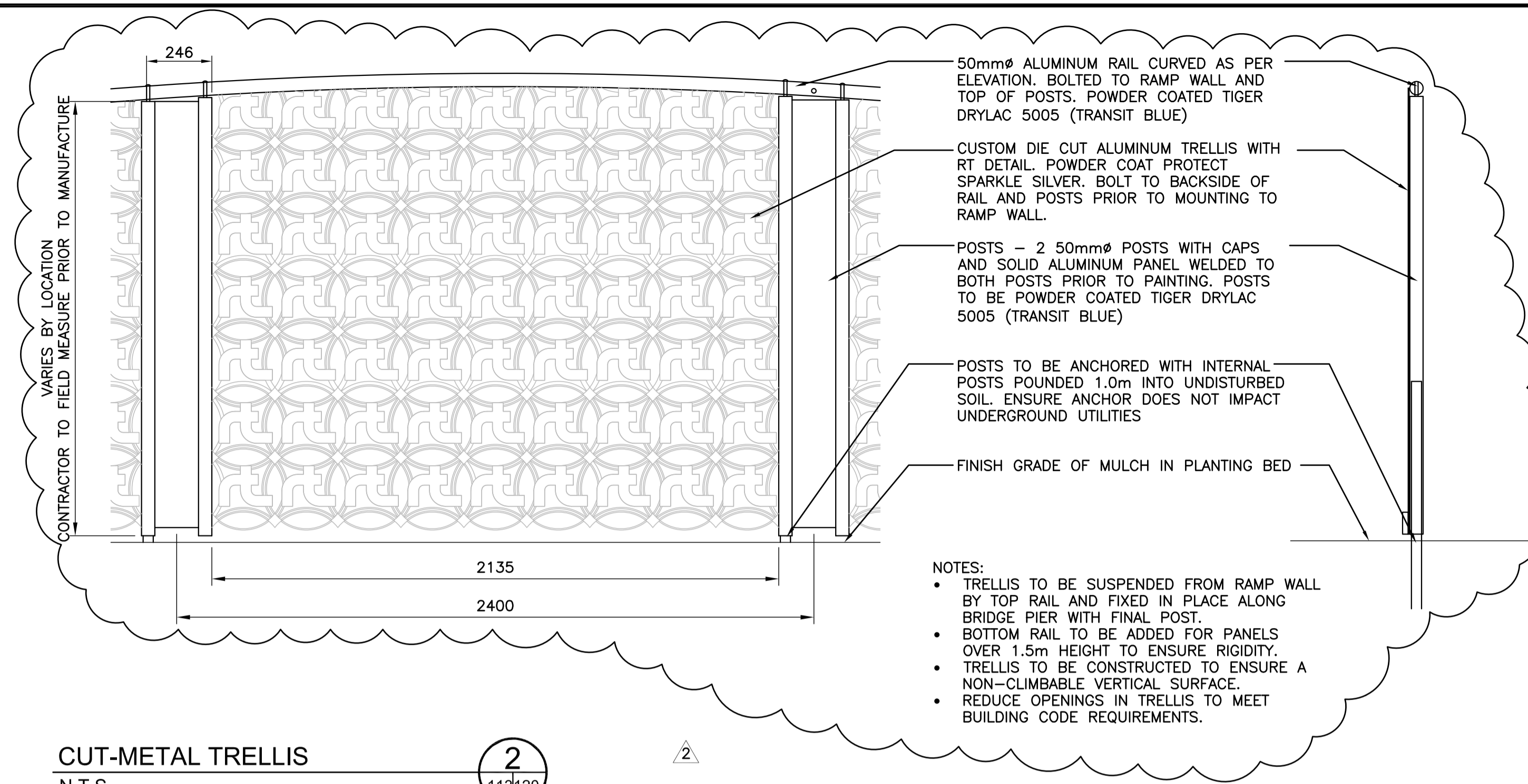
HANDRAIL ON WALL
N.T.S.



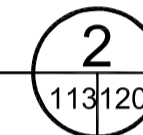
NOT FOR CONSTRUCTION

ALL DIMENSIONS PROVIDED FOR INFORMATION ON DESIGN INTENT.

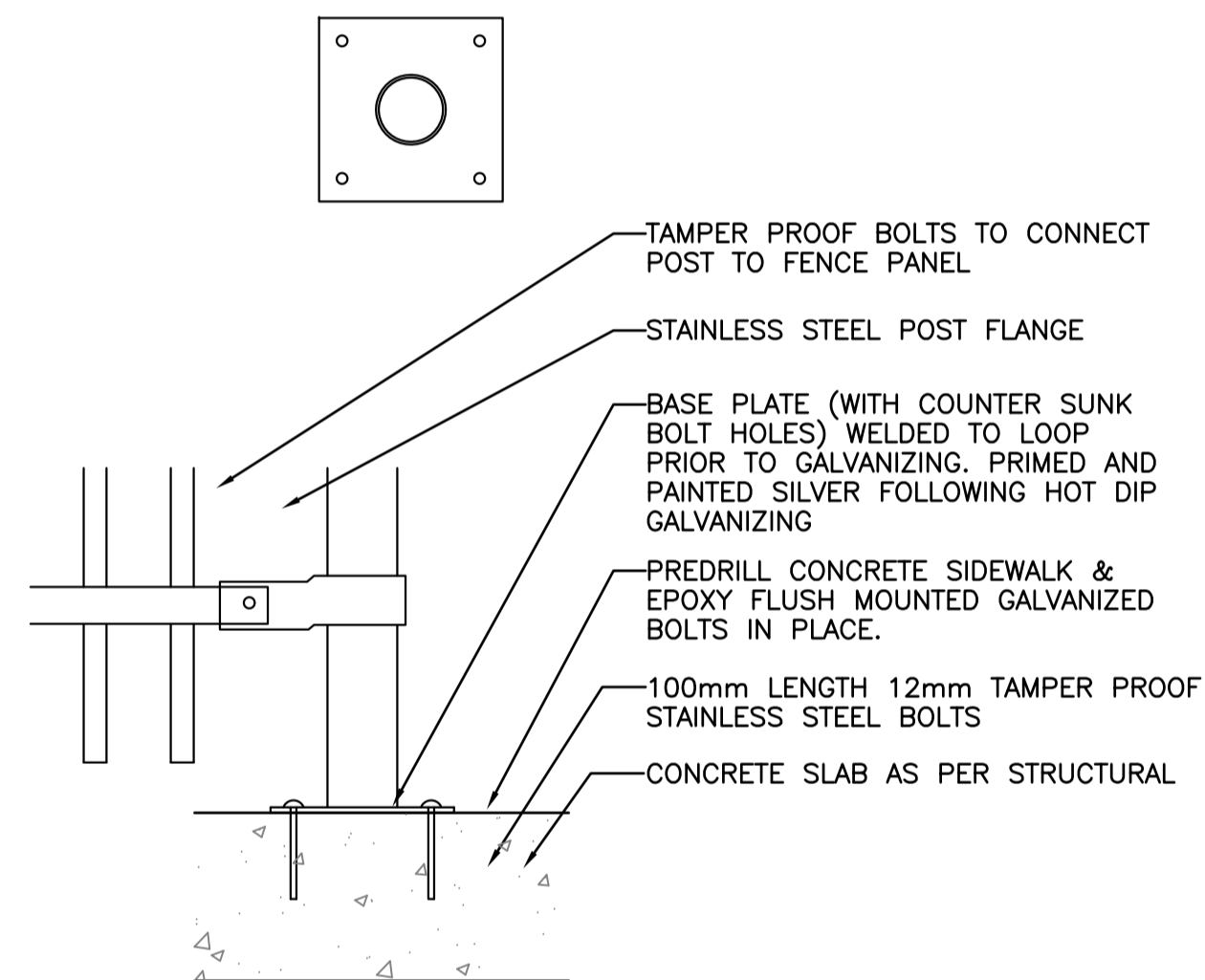
CONTRACTOR TO SUPPLY SHOP DRAWINGS STAMPED BY A STRUCTURAL ENGINEER LICENSED TO PRACTICE IN THE PROVINCE OF MANITOBA WITH EXTENSIVE EXPERIENCE IN THE DESIGN & MANUFACTURING OF ALL RAILINGS TRELLIS AND STRUCTURES. SHOP DRAWINGS TO INCLUDE WALL THICKNESSES, MATERIALS, FINISHES, ETC. AS LISTED IN THE SPECIFICATIONS.



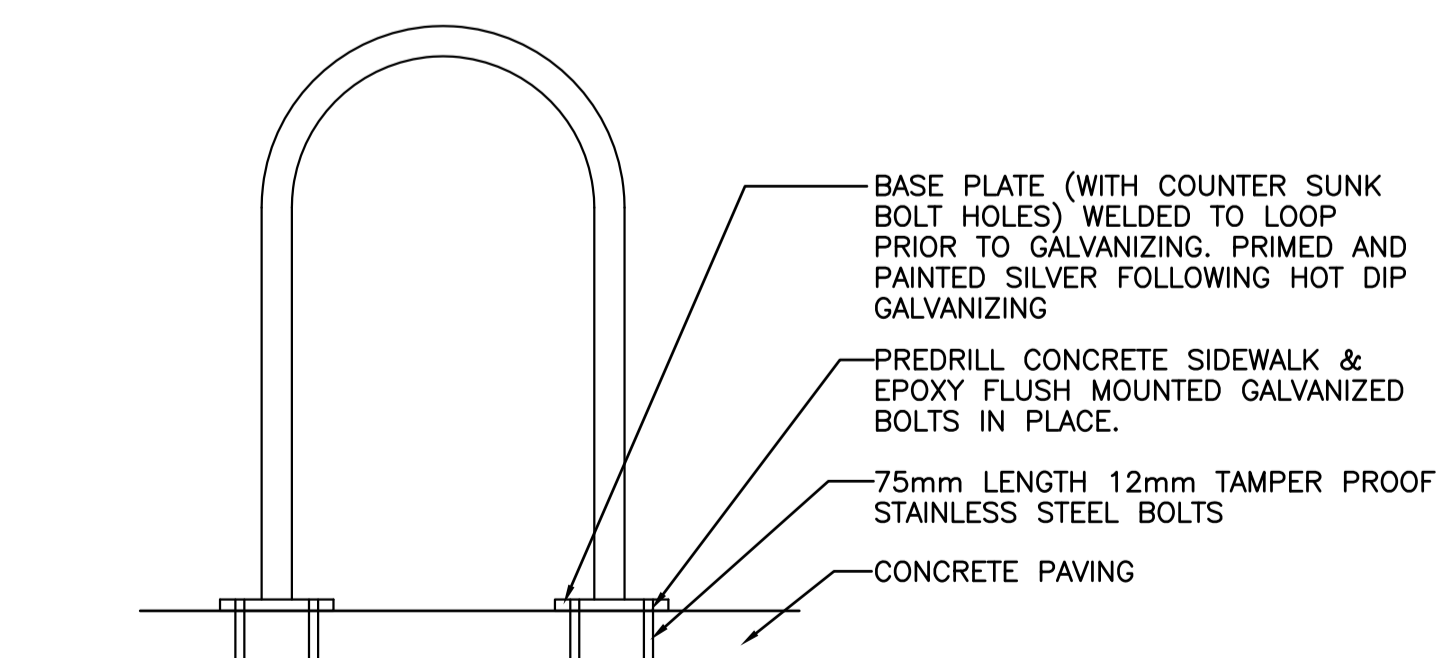
CUT-METAL TRELLIS
N.T.S.



- NOTES:
- TRELLIS TO BE SUSPENDED FROM RAMP WALL BY TOP RAIL AND FIXED IN PLACE ALONG BRIDGE PIER WITH FINAL POST.
 - BOTTOM RAIL TO BE ADDED FOR PANELS OVER 1.5m HEIGHT TO ENSURE RIGIDITY.
 - TRELLIS TO BE CONSTRUCTED TO ENSURE A NON-CLIMBABLE VERTICAL SURFACE.
 - REDUCE OPENINGS IN TRELLIS TO MEET BUILDING CODE REQUIREMENTS.



ALUMINUM FENCE BOLTED TO CONCRETE
N.T.S.



BICYCLE LOOP INSTALLATION
N.T.S.



LOCATION UNDERGROUND STRUCTURES ORIGINAL SIGNED BY X SUPV. U/G STRUCTURES COMMITTEE	APPROVED	B.M. ELEV.	B.M. ELEV.	DESIGNED BY	SR/JW		LANDSCAPE ARCHITECT'S SEAL 		SOUTHWEST RAPID TRANSIT CORRIDOR - STAGE 1 OSBORNE STATION & ASSOCIATED WORKS	CITY DRAWING NUMBER
	DATE			DRAWN BY	JW/TM					B237-10-120
				CHECKED BY	JW/SR		ORIGINAL SIGNED BY RANDY FINGAS	CONSULTANT PROJECT NO. 08-028	LANDSCAPE DETAILS	SHEET OF
				APPROVED BY	-					120 OF 121
NOTE: LOCATION OF UNDERGROUND STRUCTURES AS SHOWN ARE BASED ON THE BEST INFORMATION AVAILABLE BUT NO GUARANTEE IS GIVEN THAT ALL EXISTING UTILITIES ARE SHOWN OR THAT THE GIVEN LOCATIONS ARE EXACT. CONFIRMATION OF EXISTENCE AND EXACT LOCATION OF ALL SERVICES MUST BE OBTAINED FROM THE INDIVIDUAL UTILITIES BEFORE PROCEEDING WITH CONSTRUCTION.				HOR. SCALE	AS NOTED	RELEASED FOR CONSTRUCTION ORIGINAL SIGNED BY RANDY FINGAS	DATE: 2010/05/14	CONSULTANT DRAWING NUMBER C5-L-5009-T-R1		
				VERTICAL						
				NO. REVISIONS	DATE	DATE	2010-05-07			