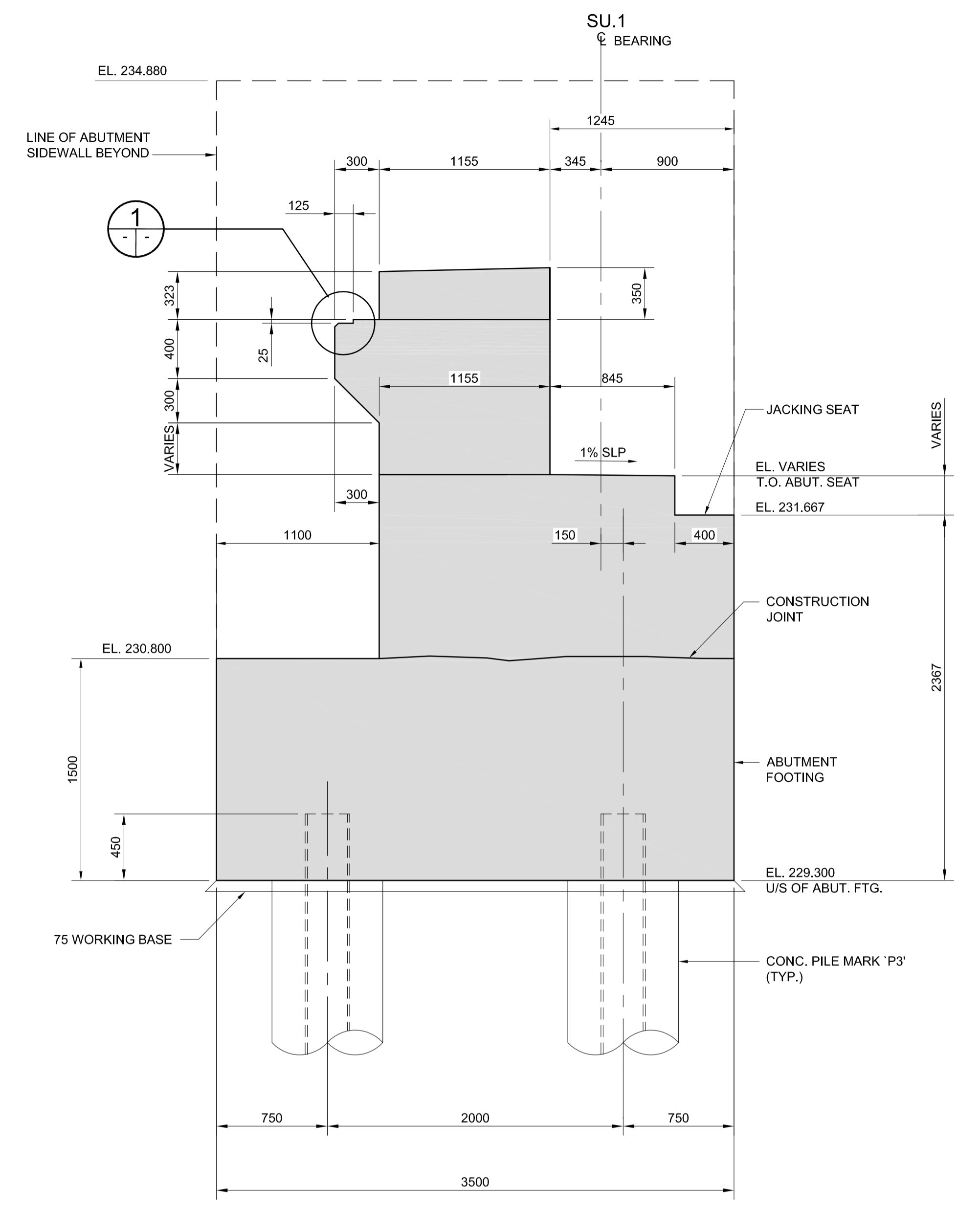
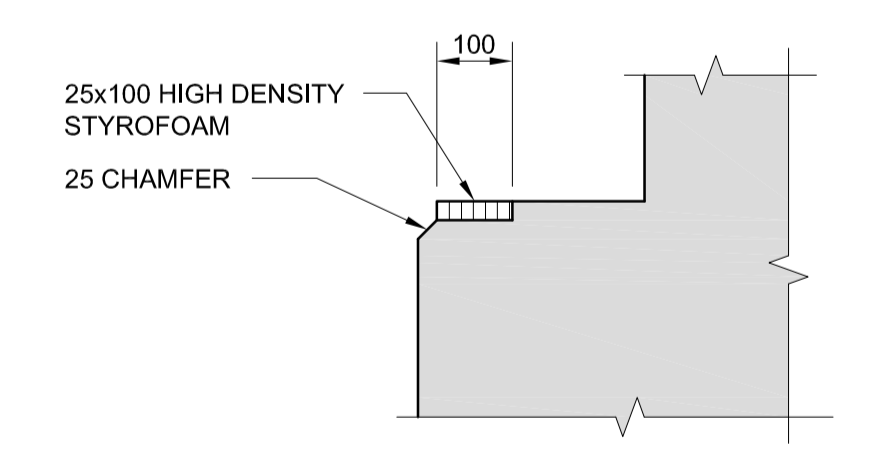


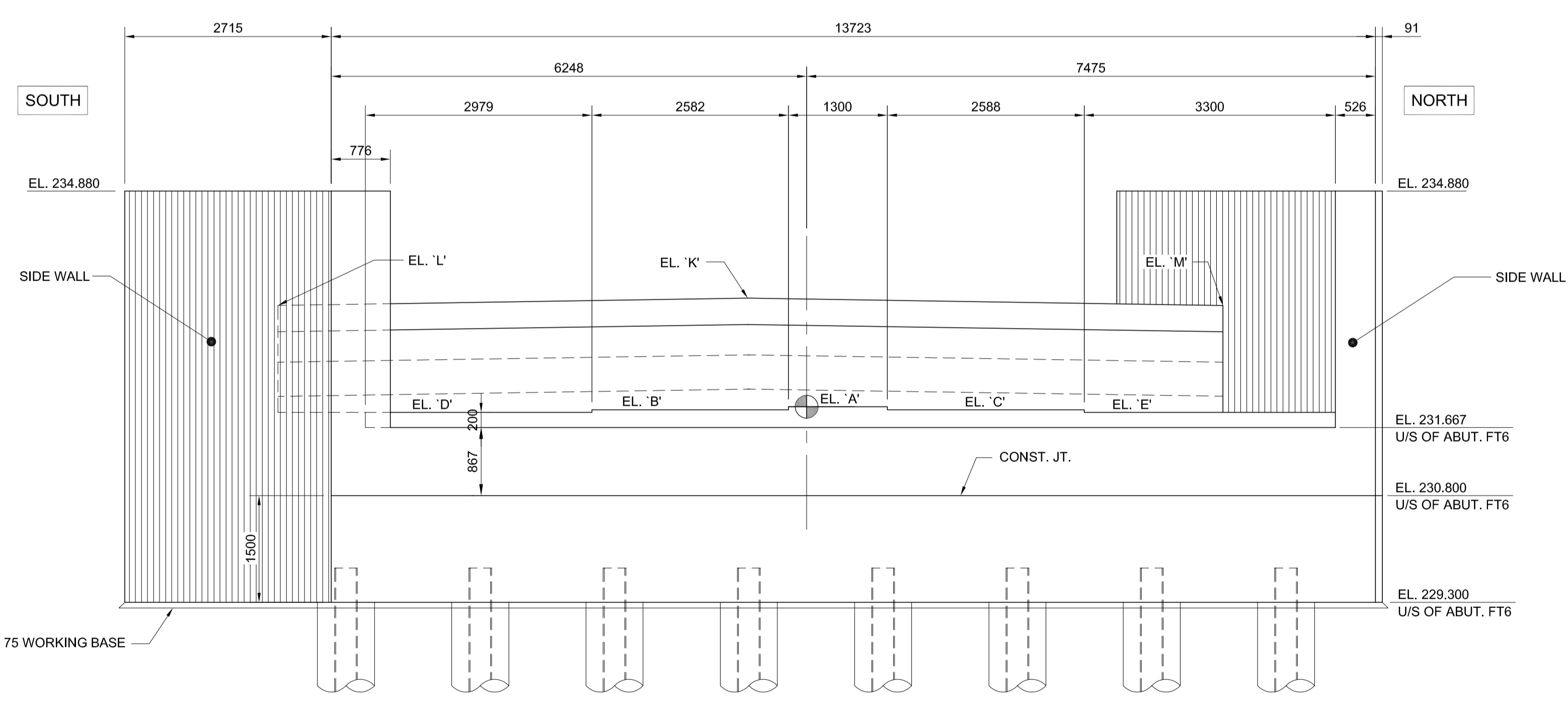
**PLAN**  
SCALE 1:50



**SECTION**  
SCALE 1:25



**DETAIL**  
SCALE 1:10



**ELEVATION**  
SCALE 1:50

TABLE OF ELEVATIONS								
ABUT.	A	B	C	D	E	K	L	M
SU-1	232.064	231.967	232.071	231.867	232.086	233.489	233.273	233.519

NOTE:  
1. ALL EXPOSED EDGES TO BE 20mm CHAMFER UNLESS NOTED OTHERWISE.



LOCATION UNDERGROUND APPROVED STRUCTURES SUPPLY U/G STRUCTURES COMMITTEE DATE	B.M. ELEV. 654265 (633392.694, 5525026.192) 232.518	DESIGNED BY FAK				SOUTH WEST RAPID TRANSIT CORRIDOR - STAGE 1 OSBORNE STATION & ASSOCIATED WORKS	CITY DRAWING NUMBER B237-10-17 SHEET 17 OF 121
	NOTE: LOCATION OF UNDERGROUND STRUCTURES AS SHOWN ARE BASED ON THE BEST INFORMATION AVAILABLE BUT NO GUARANTEE IS GIVEN THAT ALL EXISTING UTILITIES ARE SHOWN OR THAT THE GIVEN LOCATIONS ARE EXACT. CONFIRMATION OF EXISTENCE AND EXACT LOCATION OF ALL SERVICES MUST BE OBTAINED FROM THE INDIVIDUAL UTILITIES BEFORE PROCEEDING WITH CONSTRUCTION.	2 ISSUED FOR ADDENDUM #2 10/06/11 DPK 1 ISSUED FOR TENDER 10/05/14 DPK					

G:\CAD\088813\Contract\Contract 5-Osborne Station\Current\Bridge\C5-S1102- WEST ABUT SU-1- CONCRETE.dwg