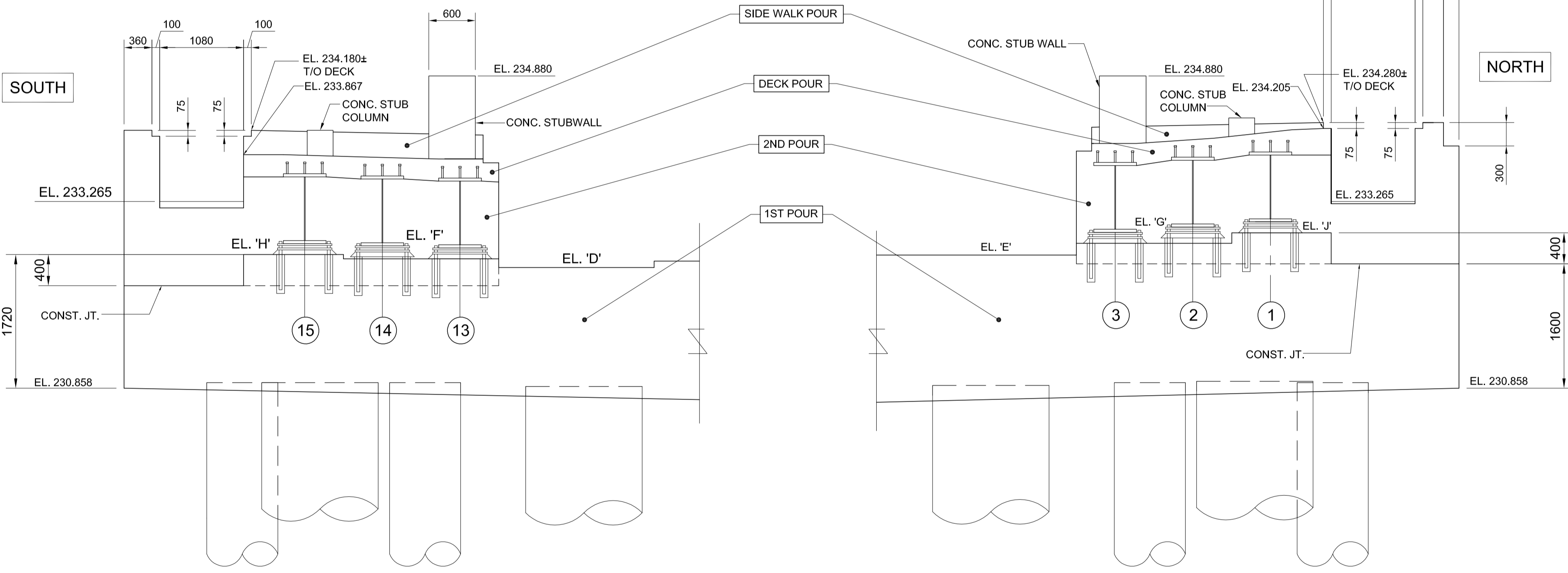


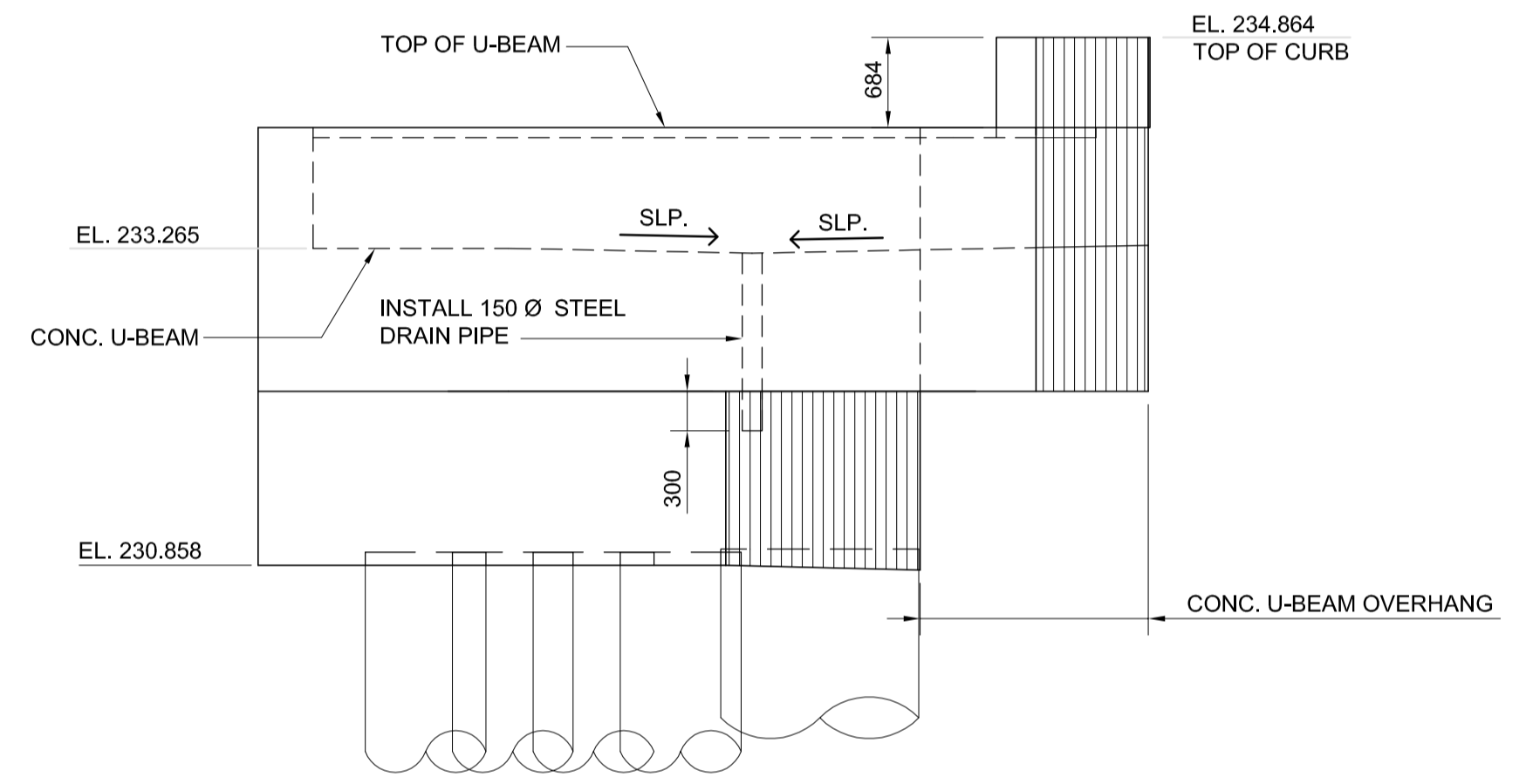
TABLE OF ELEVATIONS									
PIER	A	B	C	D	E	F	G	H	J
SU-1	232.575	232.494	232.574	232.411	232.571	232.523	232.723	232.578	232.858

PIER FRONT ELEVATION LOOKING WEST
SCALE 1:50

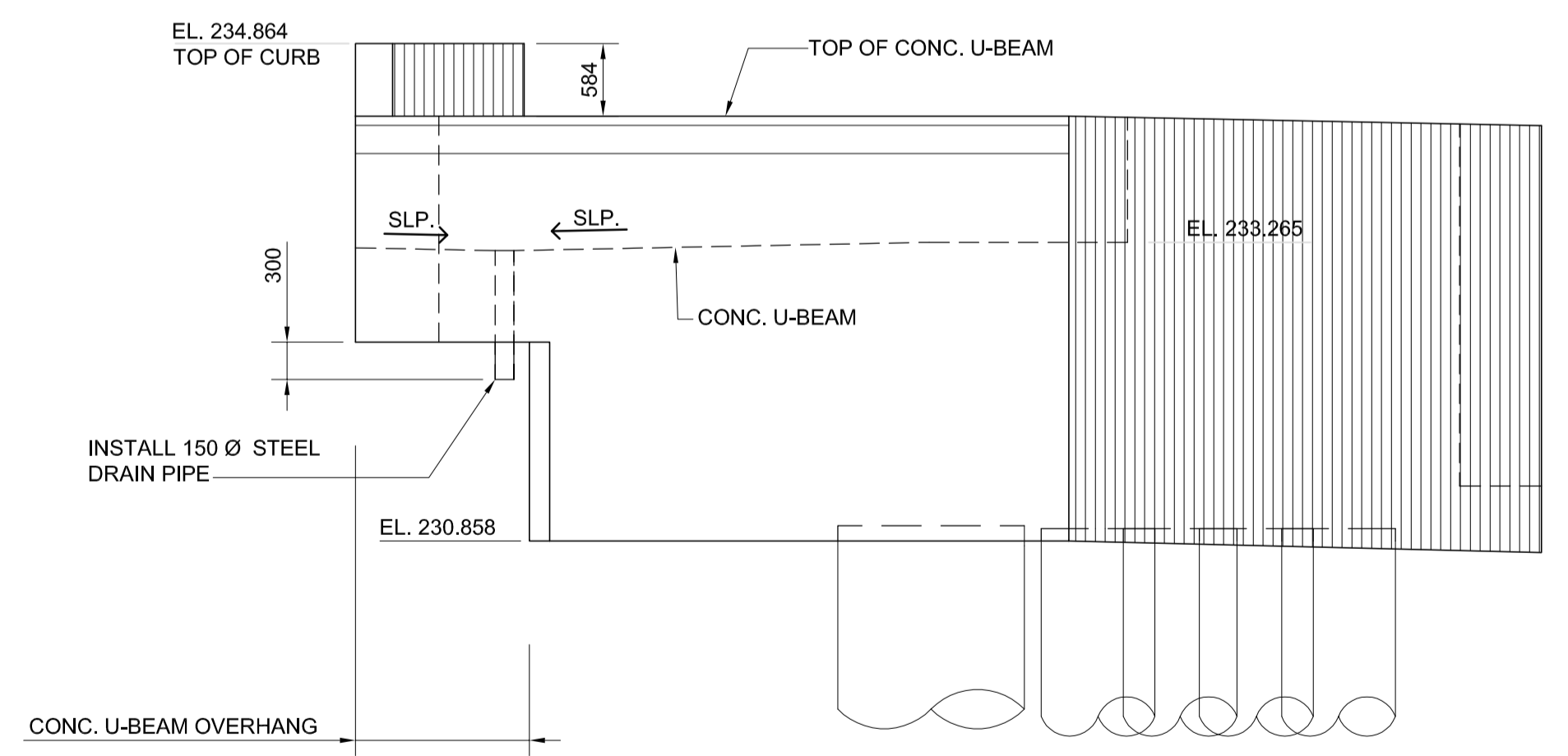


SECTION D
SCALE 1:40

SECTION D
SCALE 1:40



PIER SOUTH SIDE ELEVATION
SCALE 1:50 (LOOKING NORTH)



PIER NORTH SIDE ELEVATION
SCALE 1:50 (LOOKING SOUTH)

- NOTES:
- GIRDERS ON LINES 1, 2, 3, 13, 14, & 15 SHALL BE SET ON BEARINGS COMPLETE WITH NON-SHRINK GROUT AND ANCOR BOLTS AND CAST INTO 2ND POUR.
 - ALL EXPOSED EDGES TO BE 20mm CHAMFER UNLESS NOTED OTHERWISE.
 - COVERS SHALL BE PROVIDED AT ALL U-BEAM (TRENCH) AREAS WITH PEDESTRIAN TRAFFIC. COVERS SHALL BE CUSTOM MADE TO FIT WIDTH OF U-BEAM AS WELL AROUND COLS. ETC. FIELD MEASURE PRIOR TO FABRICATING THE COVERS.



LOCATION UNDERGROUND APPROVED STRUCTURES SUPV. U/G STRUCTURES COMMITTEE DATE NOTE: LOCATION OF UNDERGROUND STRUCTURES AS SHOWN ARE BASED ON THE BEST INFORMATION AVAILABLE BUT NO GUARANTEE IS GIVEN THAT ALL EXISTING UTILITIES ARE SHOWN OR THAT THE GIVEN LOCATIONS ARE EXACT. CONFIRMATION OF EXISTENCE AND EXACT LOCATION OF ALL SERVICES MUST BE OBTAINED FROM THE INDIVIDUAL UTILITIES BEFORE PROCEEDING WITH CONSTRUCTION.	B.M. ELEV. 654265 (633392.694, 5525026.192) 232.518 DESIGNED BY FAK DRAWN BY NBG CHECKED BY SSR APPROVED BY DPK HOR. SCALE AS NOTED VERTICAL AS NOTED DATE 2010/05/14	RELEASED FOR CONSTRUCTION ORIGINAL SIGNED BY RANDY FINGAS DATE 2010/05/14	ENGINEER'S SEAL PROVINCE OF MANITOBA ORIGINAL STAMPED BY S.S. RIHAL 2010/05/14 REGISTERED PROFESSIONAL ENGINEER CONSULTANT PROJECT NO. 088813	SOUTH WEST RAPID TRANSIT CORRIDOR - STAGE 1 OSBORNE STATION & ASSOCIATED WORKS PIER SU-2 CONCRETE 2 OF 2	CITY DRAWING NUMBER B237-10-20 SHEET 20 OF 121 CONSULTANT DRAWING NUMBER C5-S1105-T
---	--	---	---	--	---

G:\CAD\088813\Contract\Contract 5-Osborne Station\Current\Bridges\C5-S1105-1-PIER SU-2-CONCRETE 2 OF 2.dwg