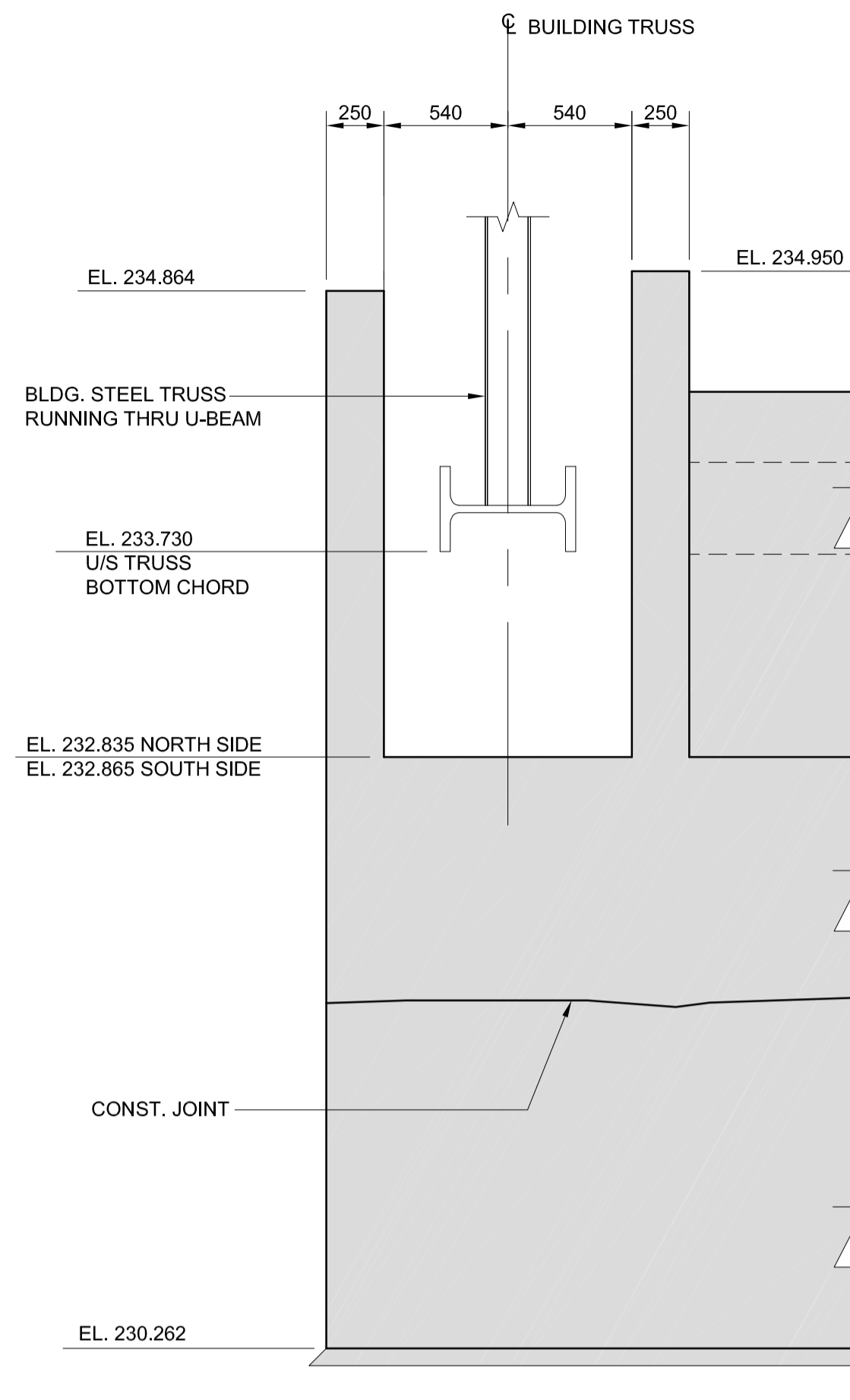
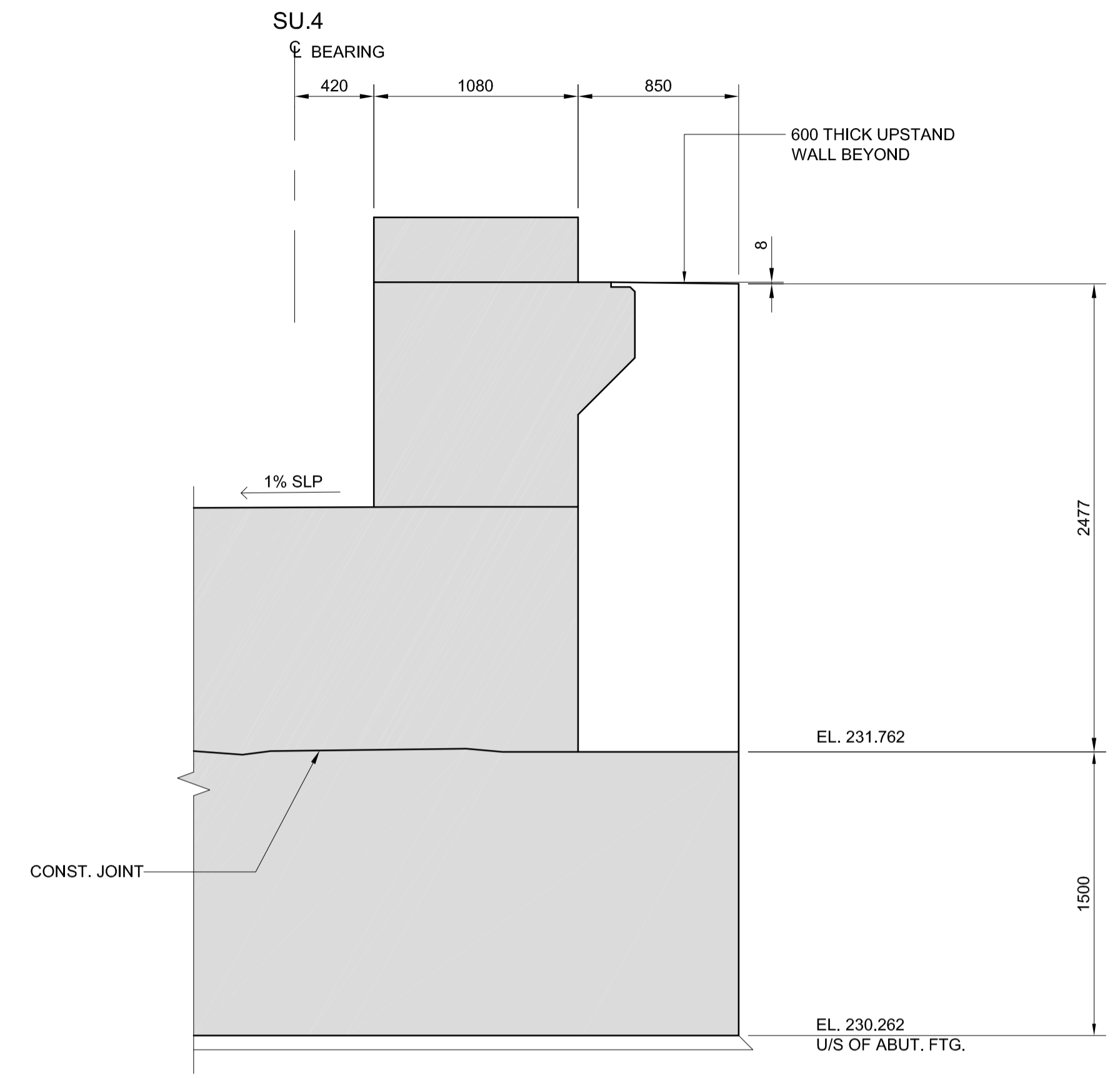


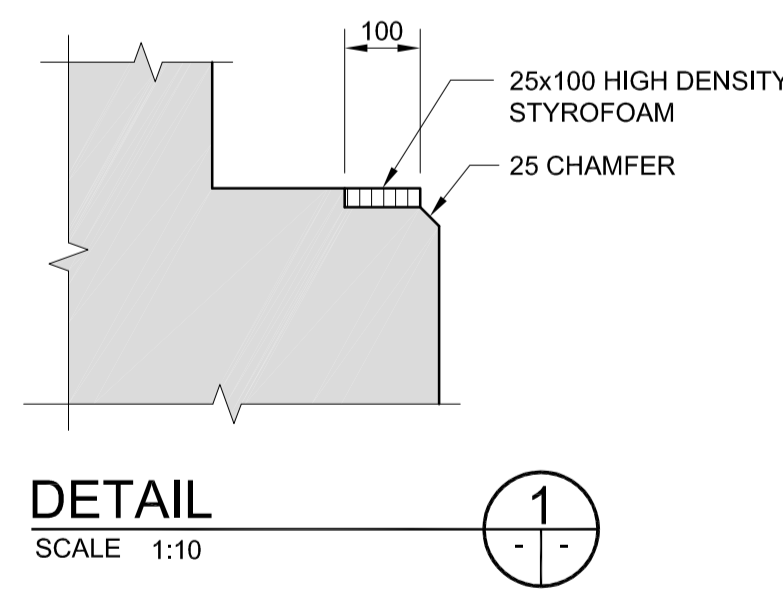
SECTION A  
SCALE 1:25



SECTION B  
SCALE 1:25



SECTION C  
SCALE 1:25



DETAIL 1  
SCALE 1:10

NOTE:  
1. ALL EXPOSED EDGES TO BE 20mm CHAMFER UNLESS NOTED OTHERWISE.

G:\CAD\088813\Contract\Contract 5-OSborne Station\Current\Bridges\C5-S1111-EAST ABUT SU-4 CONCRETE 2 OF 2.dwg



LOCATION UNDERGROUND STRUCTURES SUPV. U/G STRUCTURES COMMITTEE DATE	APPROVED DATE	B.M. ELEV. 654265 (633392.694, 5525026.192) 232.518	DESIGNED BY FAK DRAWN BY NBG CHECKED BY SSR APPROVED BY DPK		ENGINEER'S SEAL PROVINCE OF MANITOBA ORIGINAL STAMPED BY S.S. RIHAL 2010/05/14 REGISTERED PROFESSIONAL ENGINEER		THE CITY OF WINNIPEG TRANSIT DEPARTMENT
NOTE: LOCATION OF UNDERGROUND STRUCTURES AS SHOWN ARE BASED ON THE BEST INFORMATION AVAILABLE BUT NO GUARANTEE IS GIVEN THAT ALL EXISTING UTILITIES ARE SHOWN OR THAT THE GIVEN LOCATIONS ARE EXACT. CONFIRMATION OF EXISTENCE AND EXACT LOCATION OF ALL SERVICES MUST BE OBTAINED FROM THE INDIVIDUAL UTILITIES BEFORE PROCEEDING WITH CONSTRUCTION.	2 ISSUED FOR ADDENDUM #2 10/06/11 DPK 1 ISSUED FOR TENDER 10/05/14 DPK	HOR. SCALE AS NOTED VERTICAL AS NOTED	RELEASED FOR CONSTRUCTION ORIGINAL SIGNED BY RANDY FINGAS DATE 2010/05/14	CONSULTANT PROJECT NO. 088813	SOUTHWEST RAPID TRANSIT CORRIDOR - STAGE 1 OSBORNE STATION & ASSOCIATED WORKS	CITY DRAWING NUMBER B237-10-26 SHEET 26 OF 121	EAST ABUTMENT SU-4 CONCRETE 2 OF 2 C5-S1111-T