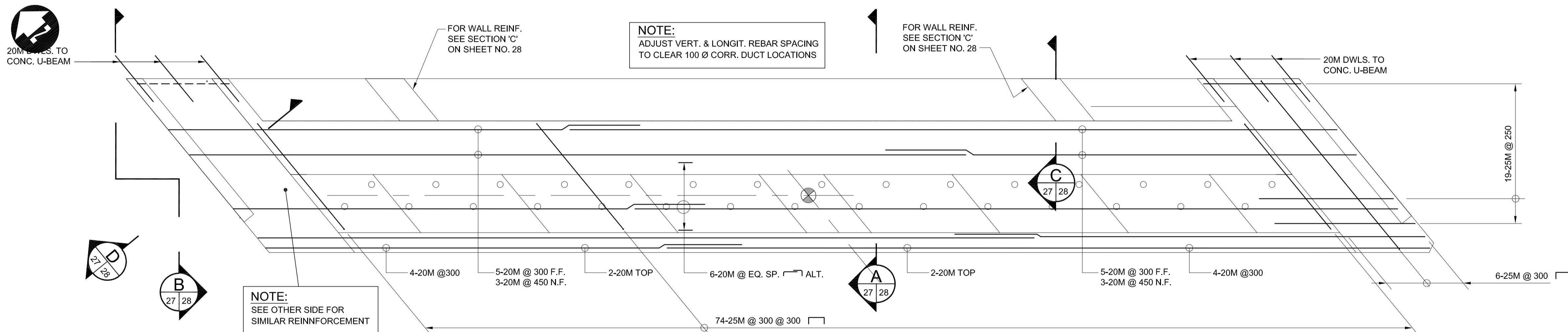
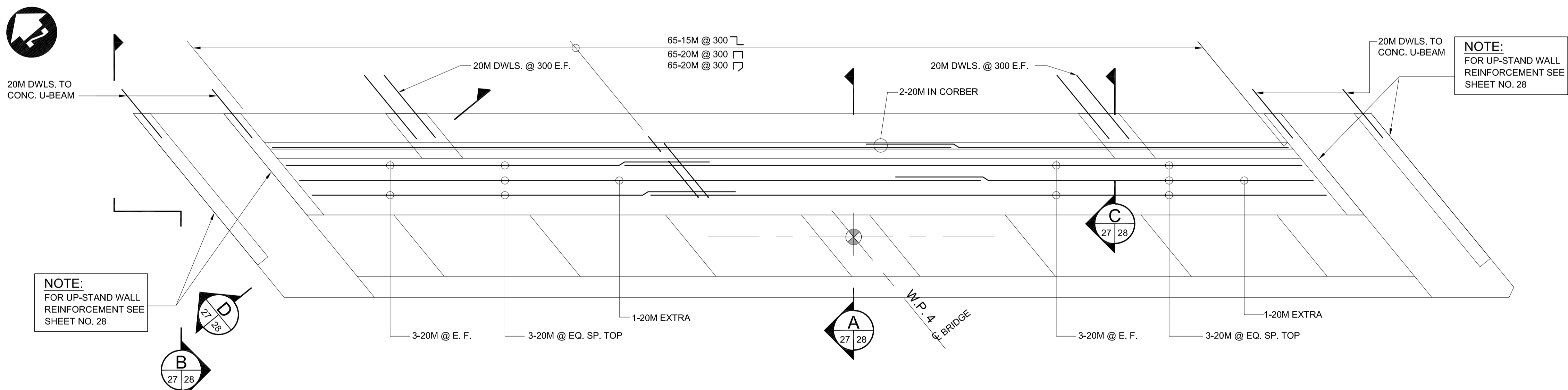


ABUTMENT FOOTING PLAN
SCALE 1:50



ABUTMENT SEAT PLAN
SCALE 1:50



ABUTMENT BACKWALL PLAN
SCALE 1:50

NOTE:
SEE OTHER SIDE FOR
SIMILAR REINFORCEMENT

NOTE:
SEE OTHER SIDE FOR
SIMILAR REINFORCEMENT

NOTE:
ADJUST VERT. & LONGIT. REBAR SPACING
TO CLEAR 100 Ø CORR. DUCT LOCATIONS

NOTE:
FOR UP-STAND WALL
REINFORCEMENT SEE
SHEET NO. 28

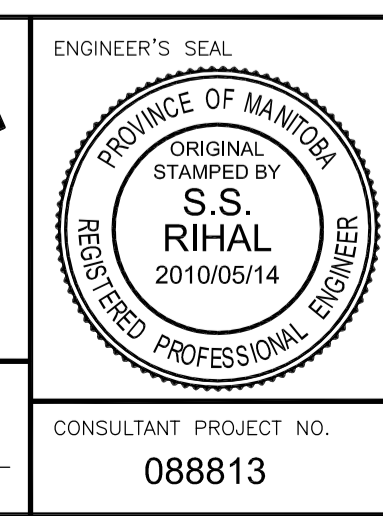
NOTE:
FOR UP-STAND WALL
REINFORCEMENT SEE
SHEET NO. 28

G:\CAD\088813\Contract\Contract 5-Osborne Station\Current\Bridge\C5-S1112-E EAST ABUT SU-4 REINFORCING 1 OF 2.dwg



LOCATION UNDERGROUND	APPROVED STRUCTURES	B.M. ELEV.	654265 (633392.694, 5525026.192) 232.518	DESIGNED BY	FAK
SUPV. U/G STRUCTURES COMMITTEE	DATE			DRAWN BY	NBG
				CHECKED BY	SSR
				APPROVED BY	DPK
				HOR. SCALE	
				VERTICAL	
				DATE	2010/05/14
				DATE	2010/05/14

NO.	REVISIONS	DATE	BY
2	ISSUED FOR ADDENDUM #2	10/06/11	DPK
1	ISSUED FOR TENDER	10/05/14	DPK



THE CITY OF WINNIPEG
TRANSIT DEPARTMENT

Winnipeg

SOUTHWEST RAPID TRANSIT CORRIDOR - STAGE 1
OSBORNE STATION & ASSOCIATED WORKS

EAST ABUTMENT SU-4 REINFORCEMENT
1 OF 2

CITY DRAWING NUMBER: B237-10-27
SHEET 27 OF 121
CONSULTANT DRAWING NUMBER: C5-S1112-T

CONSULTANT PROJECT NO. 088813