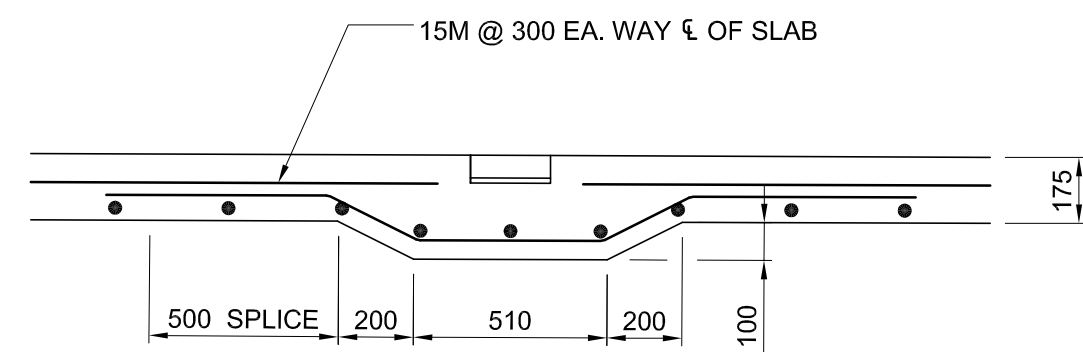
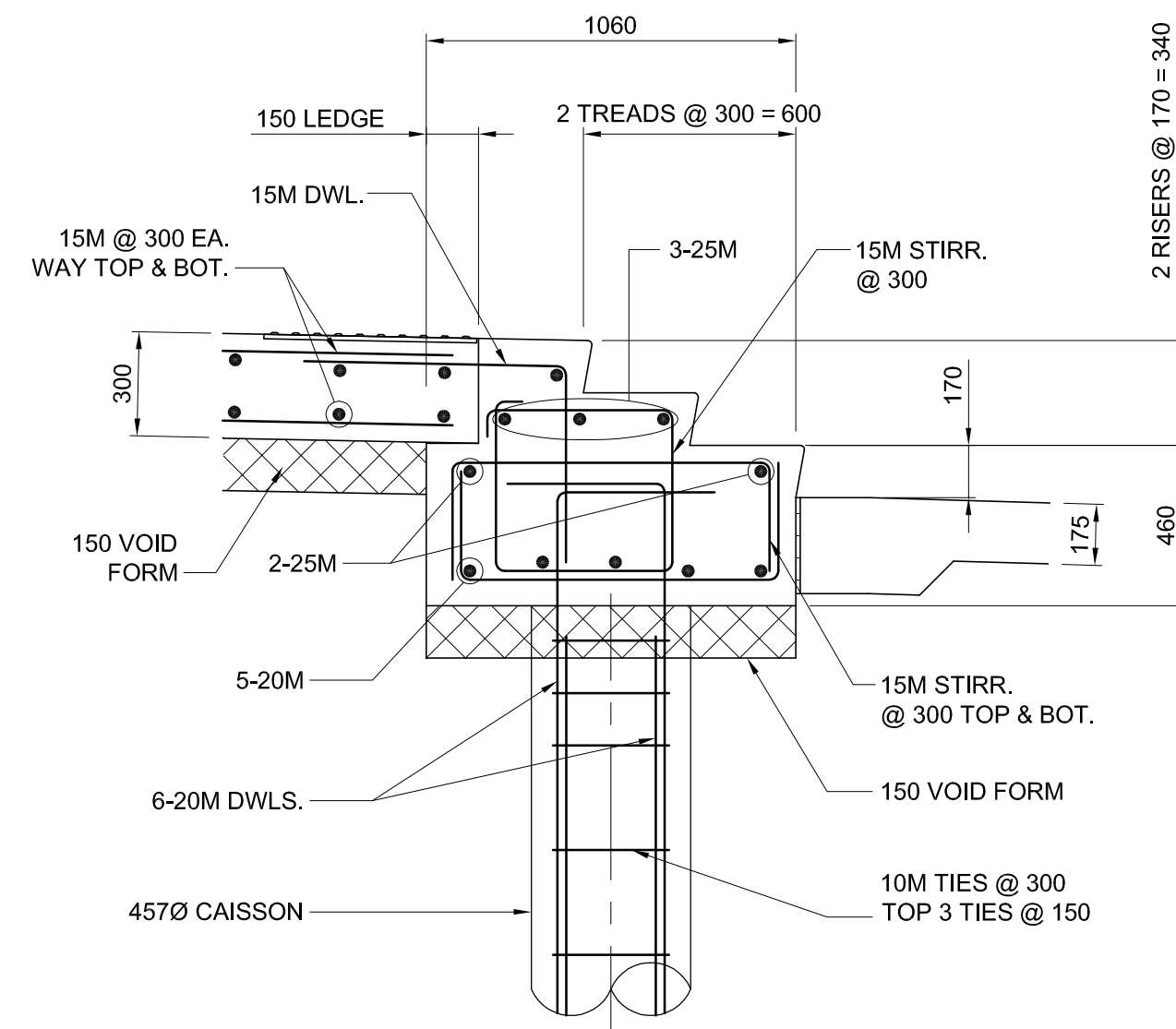


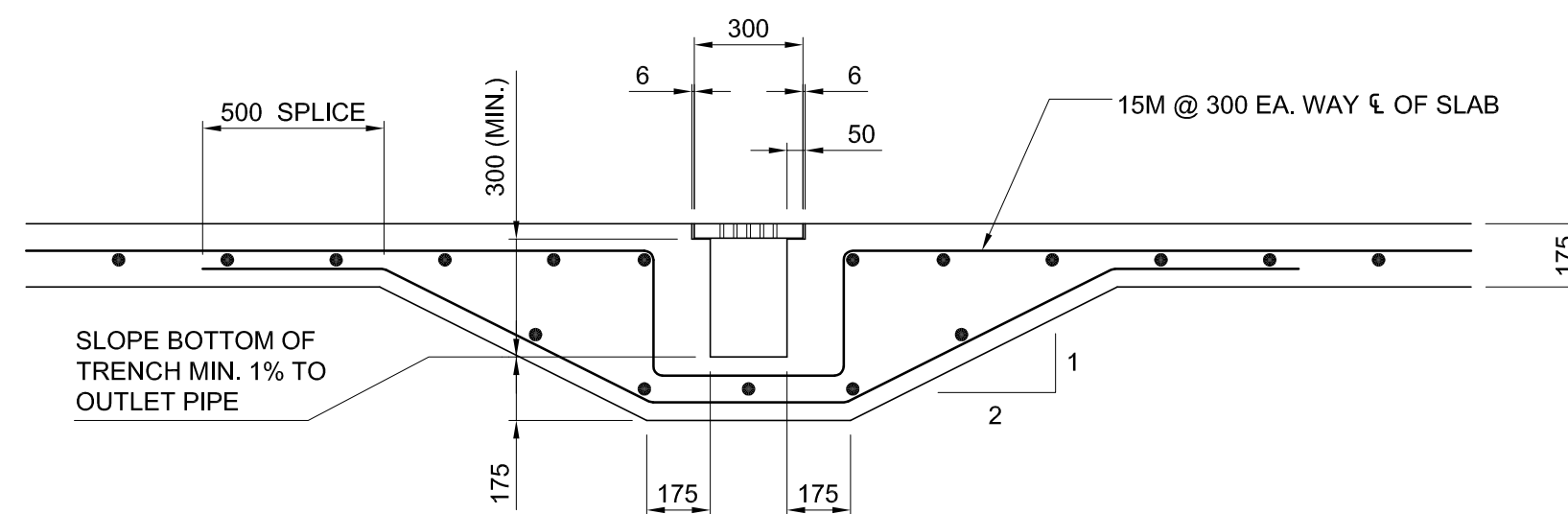
SECTION H  
SCALE 1:20



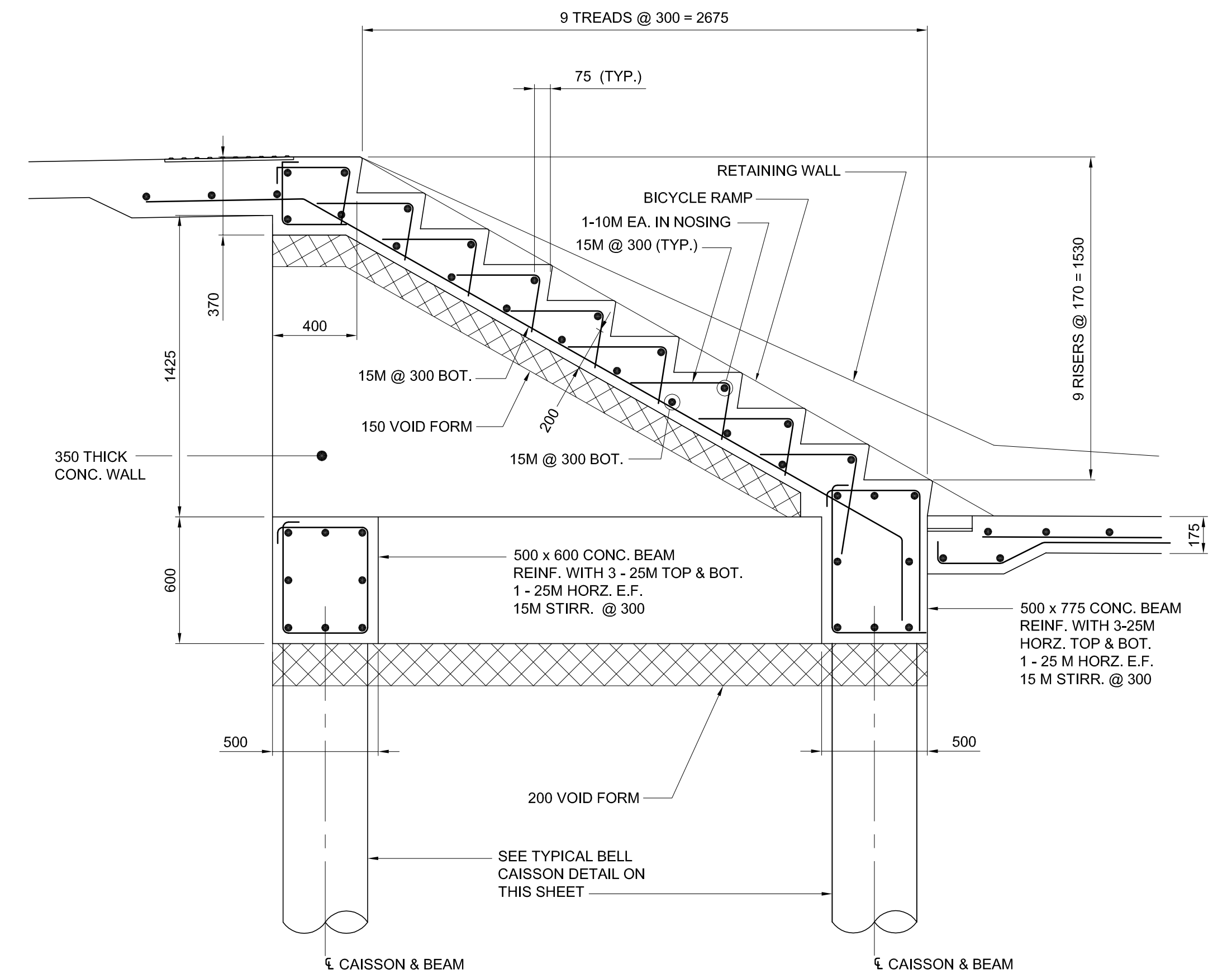
TYPICAL SIDEWALK DETAIL AT PAVER LOCATION  
SCALE 1:20



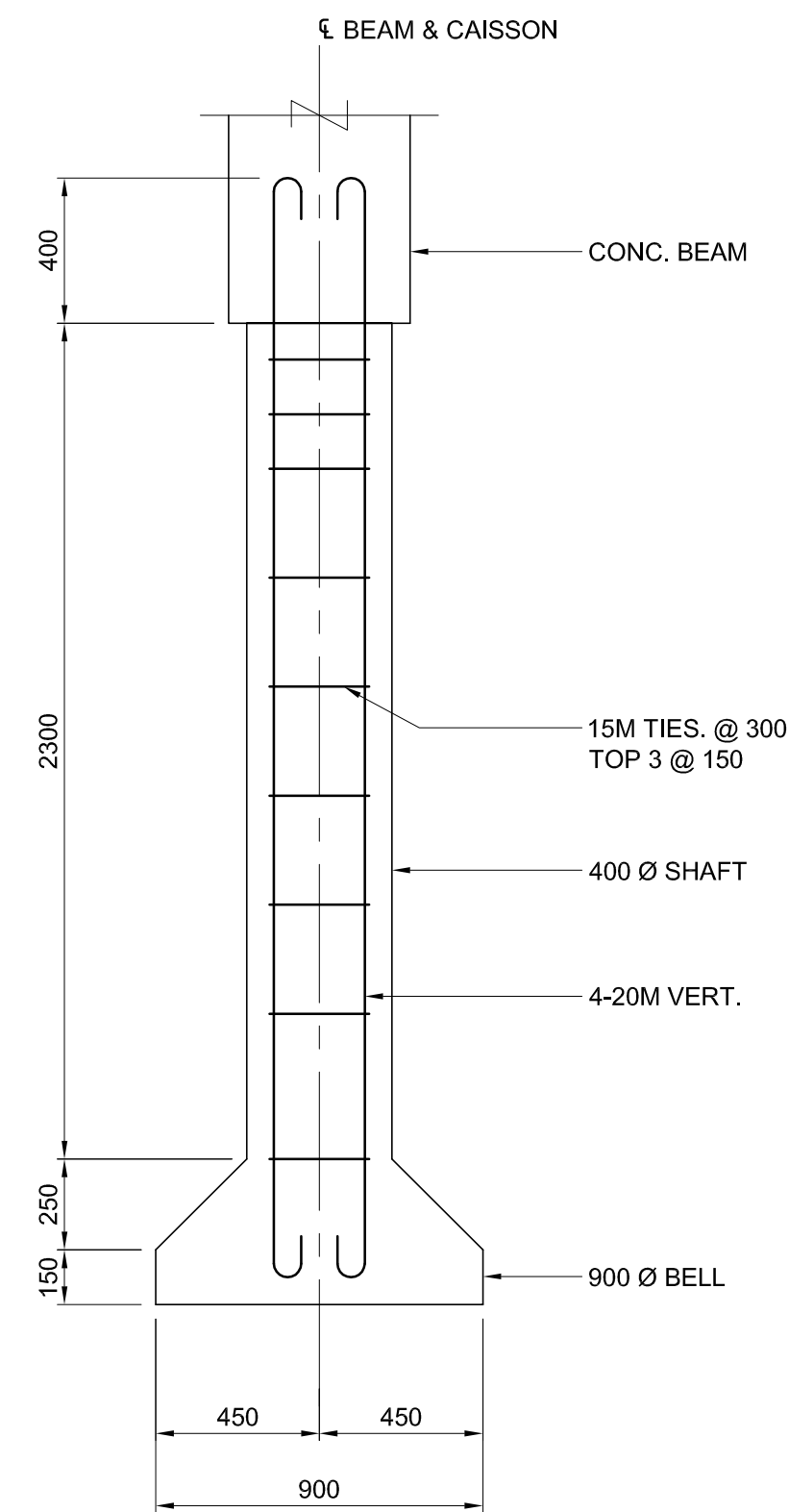
TYPICAL UPPER STAIR DETAIL J  
SCALE 1:20



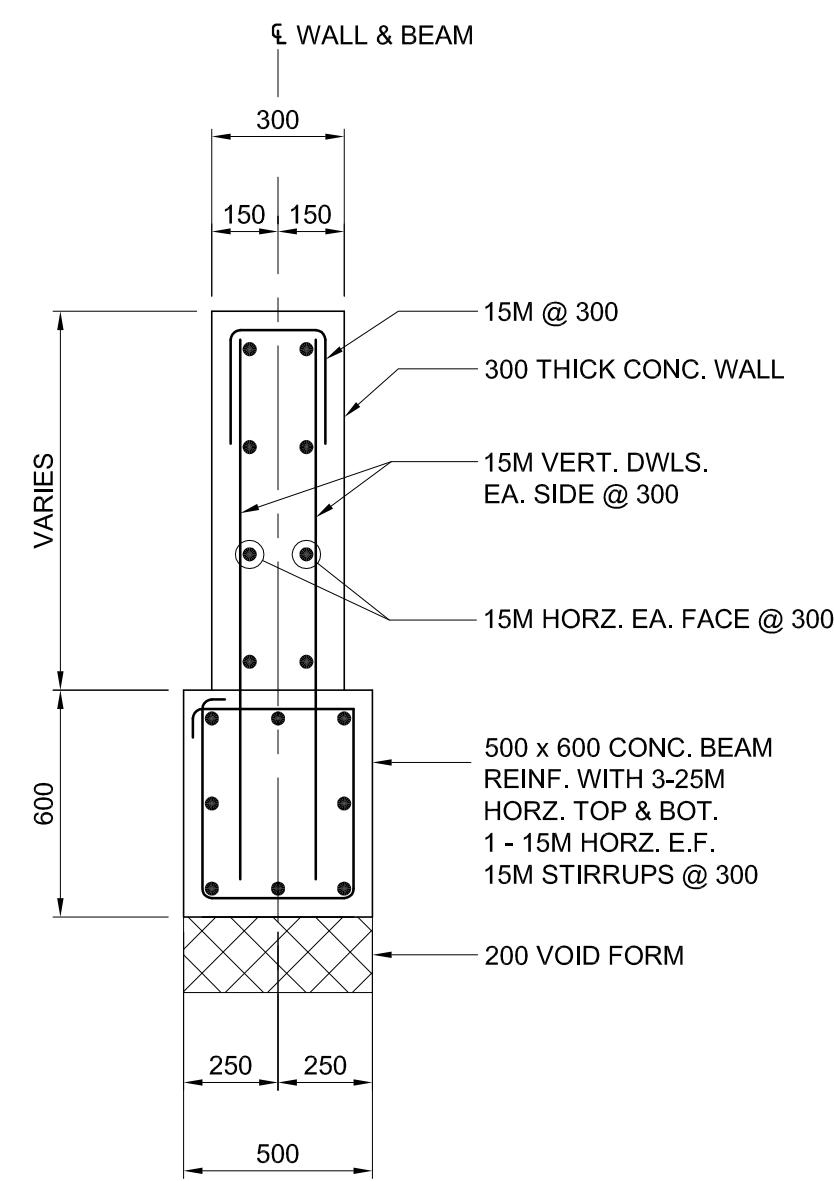
DETAIL AT FRENCH DRAIN LOCATION F  
SCALE 1:20



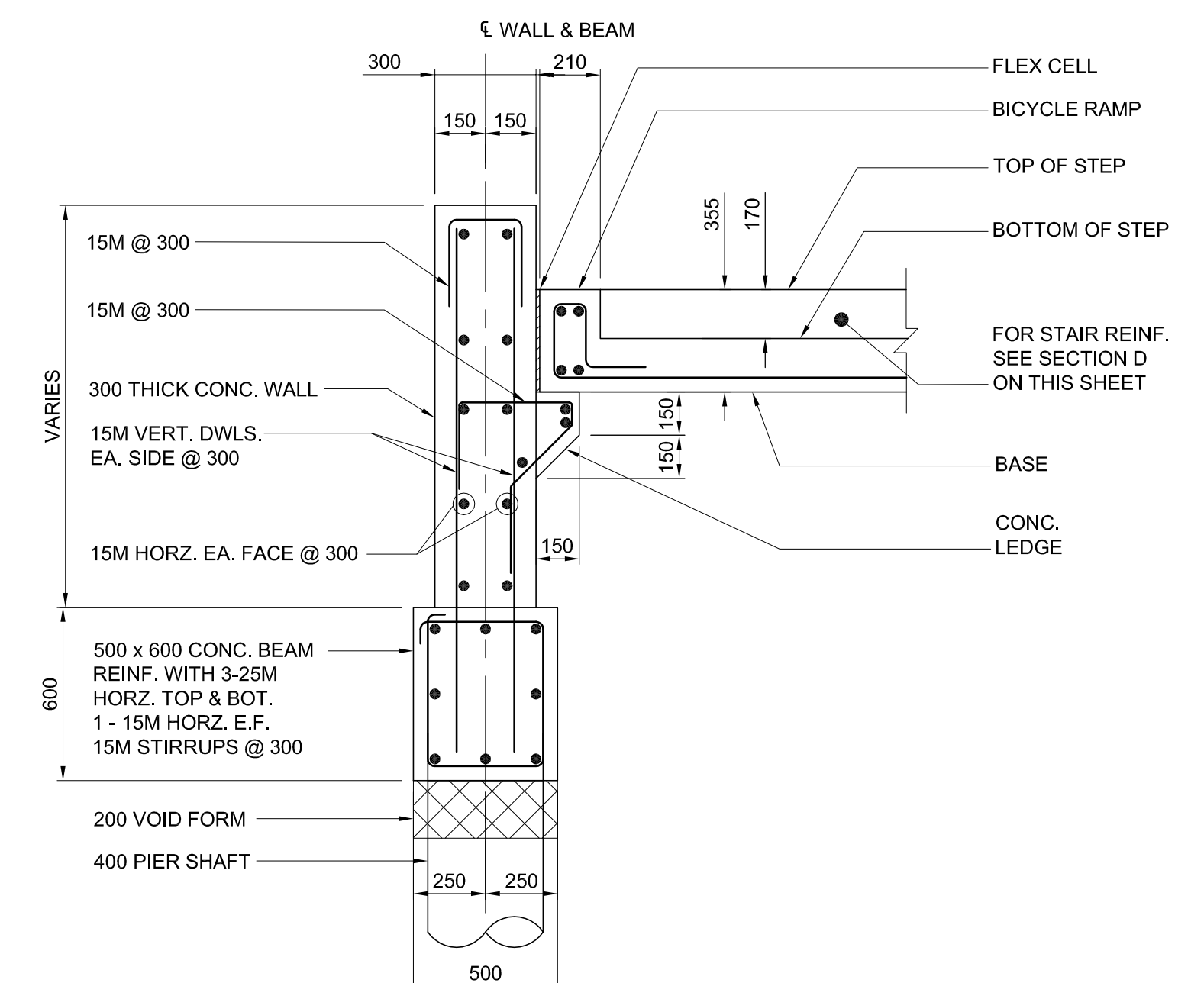
TYPICAL LOWER STAIR DETAIL SECTION D  
SCALE 1:20



TYPICAL BELL CAISSON DETAIL  
SCALE 1:20



SECTION E  
SCALE 1:20



RETAINING WALL TYPE RW 6 SECTION G  
SCALE 1:20



LOCATION UNDERGROUND	APPROVED STRUCTURES	B.M. ELEV. 654265 (633392.694, 5525026.192) 232.518	DESIGNED BY FAK		ENGINEER'S SEAL PROVINCE OF MANITOBA ORIGINAL STAMPED BY S.S. RIHAL 2010/05/14 REGISTERED PROFESSIONAL ENGINEER		<b>THE CITY OF WINNIPEG</b> TRANSIT DEPARTMENT	CITY DRAWING NUMBER B237-10-66
SUPY. U/G STRUCTURES COMMITTEE	DATE		DRAWN BY NBG /PMW		RELEASED FOR CONSTRUCTION ORIGINAL SIGNED BY RANDY FINGAS DATE 2010/05/14			CONSULTANT PROJECT NO. 088813
NOTE: LOCATION OF UNDERGROUND STRUCTURES AS SHOWN ARE BASED ON THE BEST INFORMATION AVAILABLE BUT NO GUARANTEE IS GIVEN THAT ALL EXISTING UTILITIES ARE SHOWN OR THAT THE GIVEN LOCATIONS ARE EXACT. CONFIRMATION OF EXISTENCE AND EXACT LOCATION OF ALL SERVICES MUST BE OBTAINED FROM THE INDIVIDUAL UTILITIES BEFORE PROCEEDING WITH CONSTRUCTION.			CHECKED BY SSR				<b>EAST SIDE PEDESTRIAN PLAZA - SECTIONS &amp; DETAILS 3 OF 3</b>	CONSULTANT DRAWING NUMBER C5-S1151-T
			APPROVED BY DPK					
			HOR. SCALE					
			VERTICAL					
			DATE 2010/05/14					
			DATE 2010/05/14					