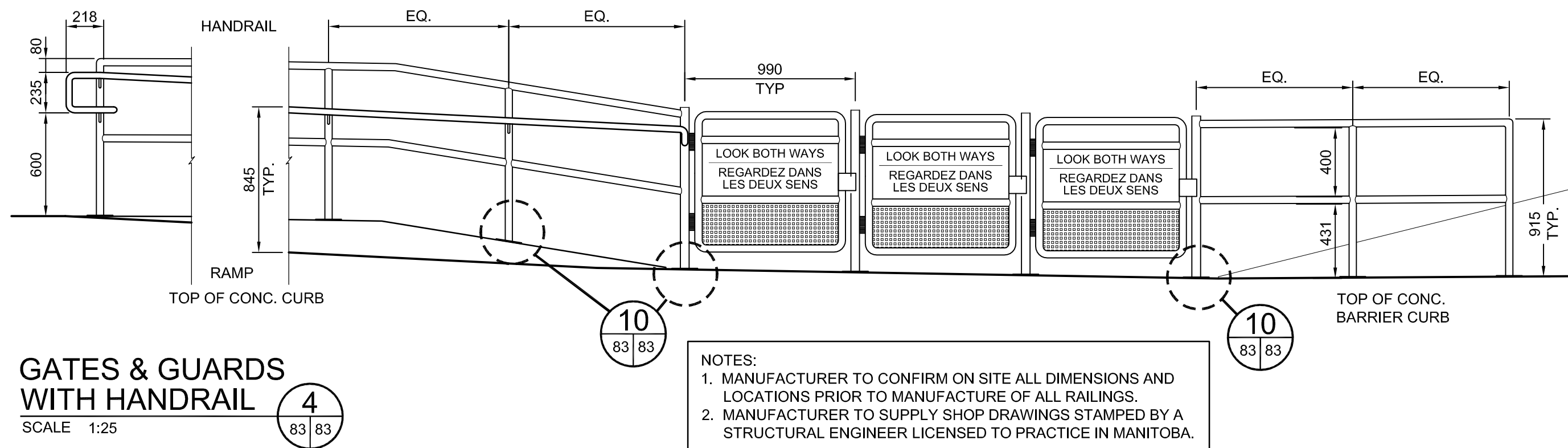


**PLAN DETAIL** 1  
SCALE 1:50

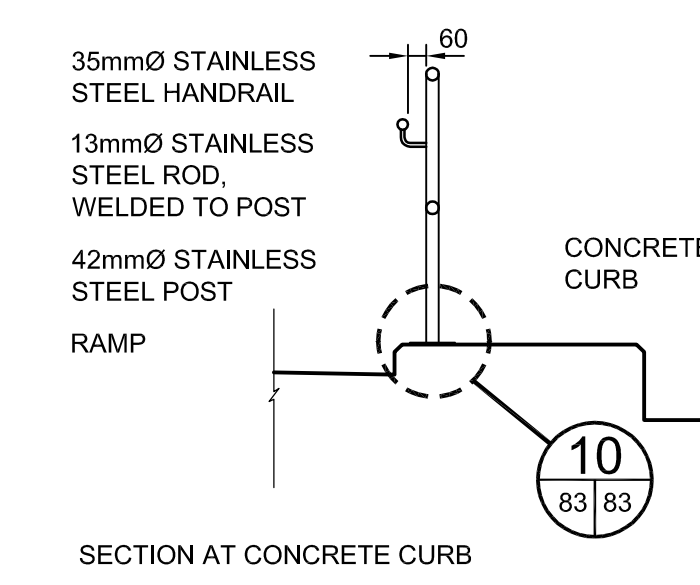
**ELEVATION** 2  
SCALE 1:50

**SECTION** 3  
SCALE 1:50

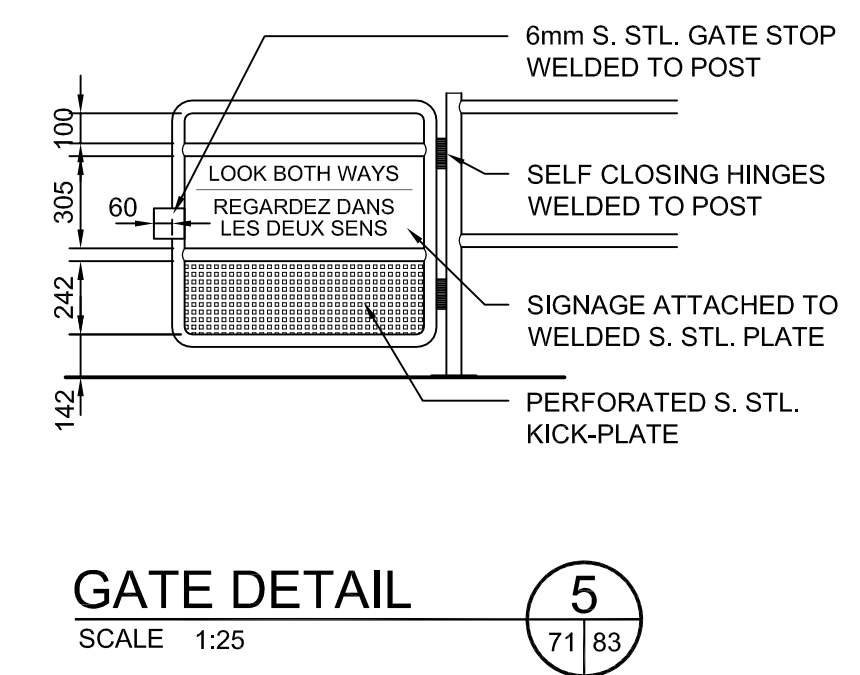


**GATES & GUARDS WITH HANDRAIL** 4  
SCALE 1:25

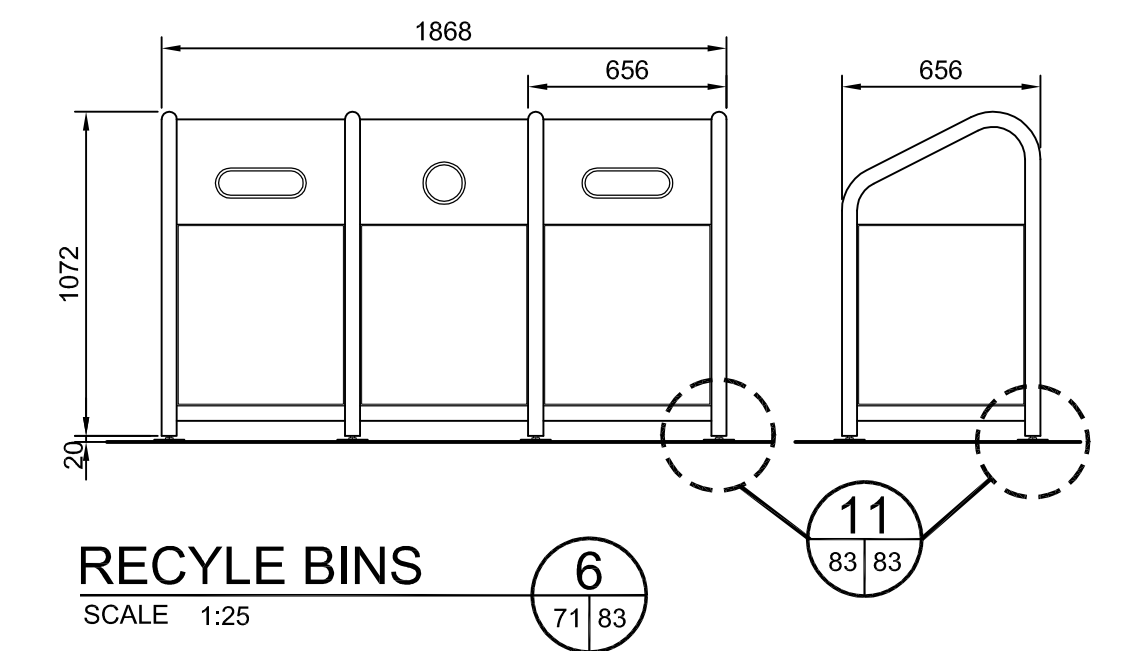
**NOTES:**  
1. MANUFACTURER TO CONFIRM ON SITE ALL DIMENSIONS AND LOCATIONS PRIOR TO MANUFACTURE OF ALL RAILINGS.  
2. MANUFACTURER TO SUPPLY SHOP DRAWINGS STAMPED BY A STRUCTURAL ENGINEER LICENSED TO PRACTICE IN MANITOBA.



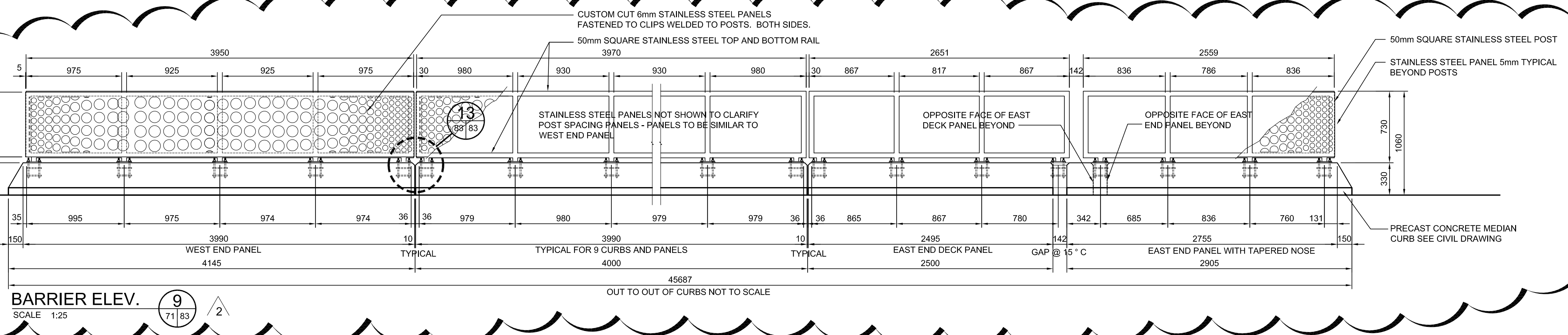
**SECTION AT CONCRETE CURB** 10  
SCALE 1:25



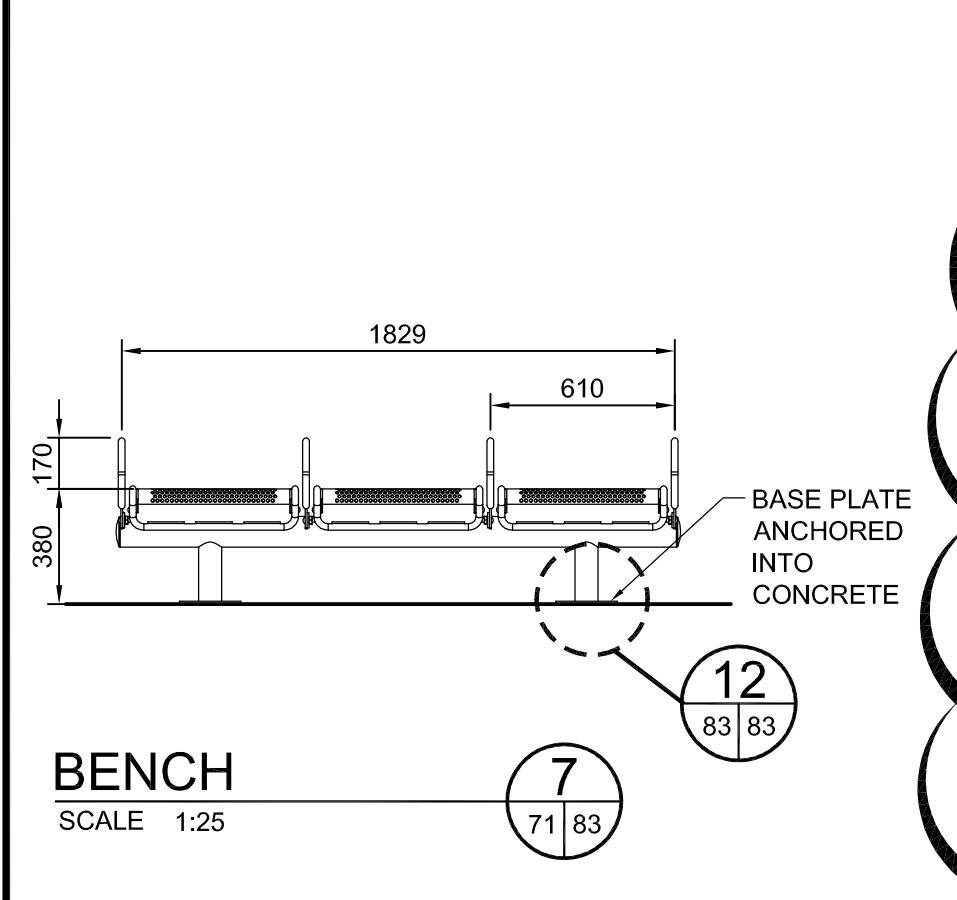
**GATE DETAIL** 5  
SCALE 1:25



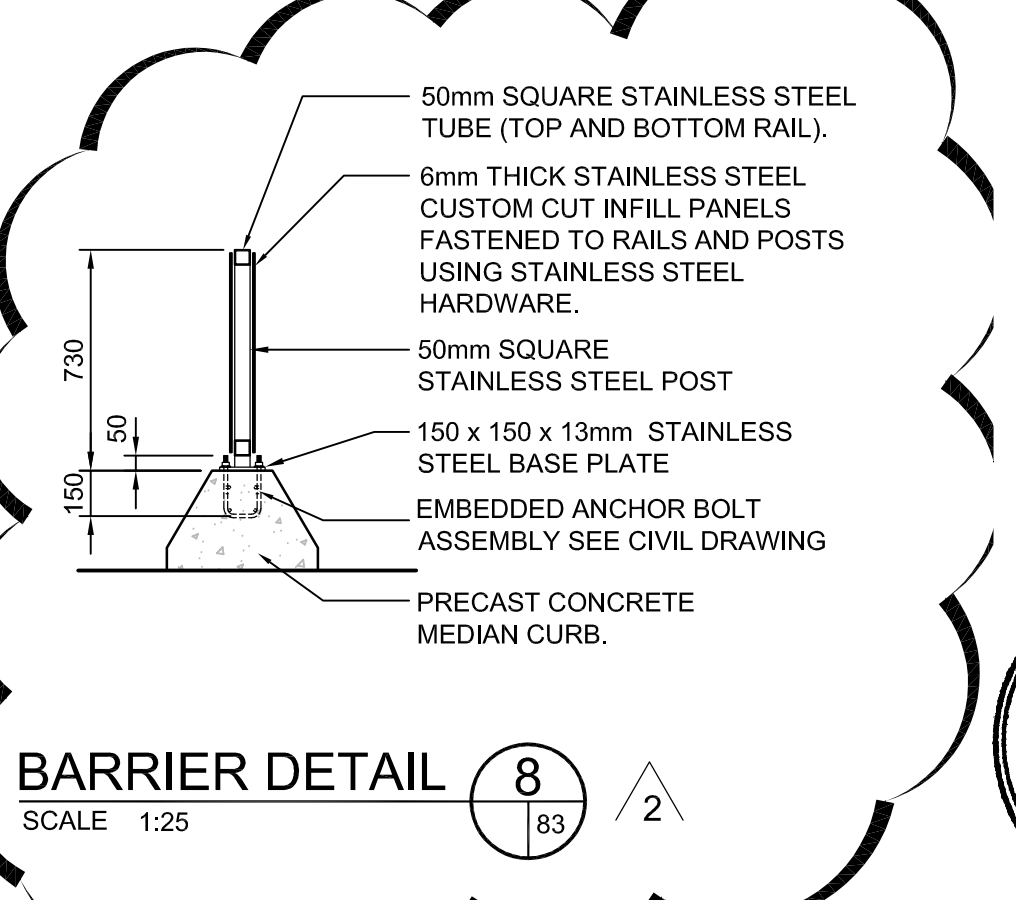
**RECYCLE BINS** 6  
SCALE 1:25



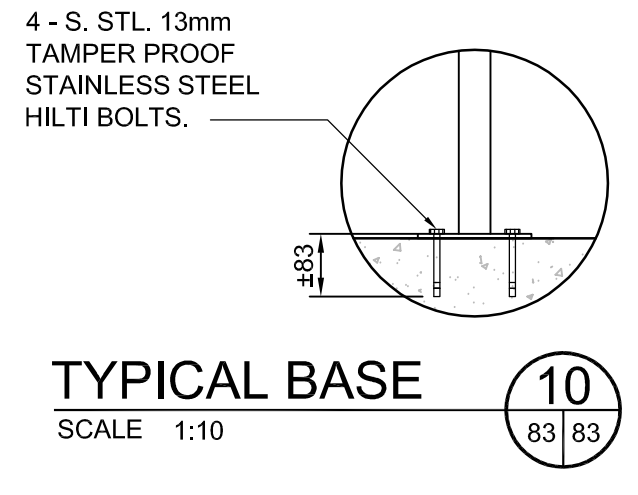
**BARRIER ELEV.** 9  
SCALE 1:25



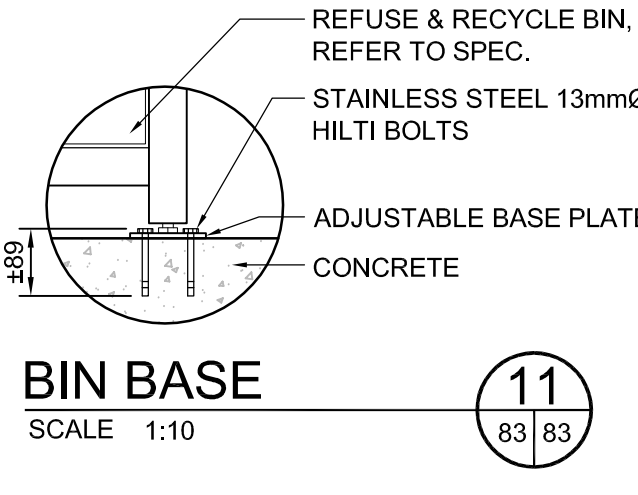
**BENCH** 7  
SCALE 1:25



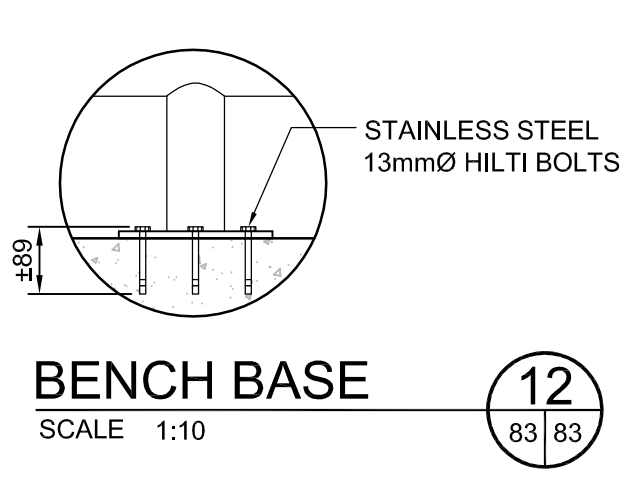
**BARRIER DETAIL** 8  
SCALE 1:25



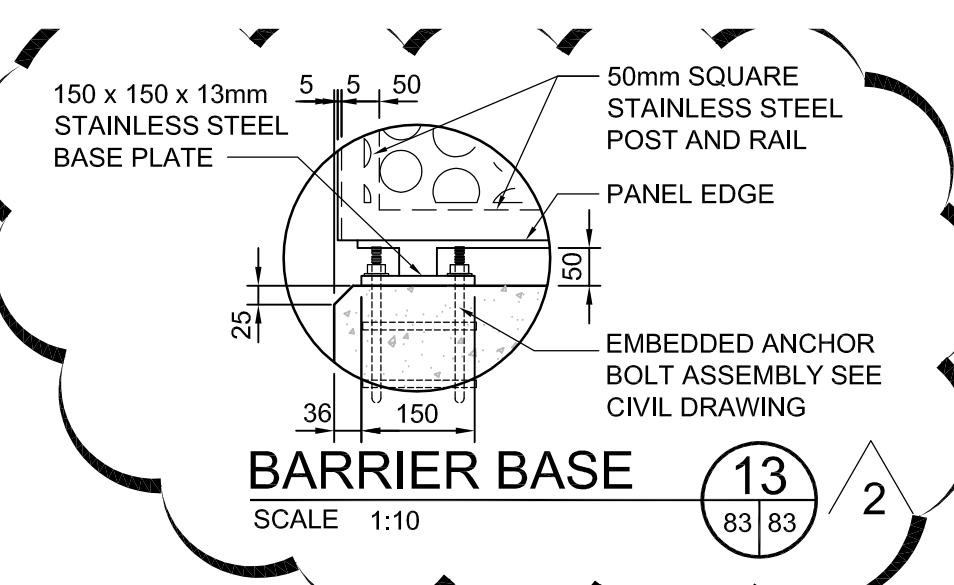
**TYPICAL BASE** 10  
SCALE 1:10



**BIN BASE** 11  
SCALE 1:10



**BENCH BASE** 12  
SCALE 1:10

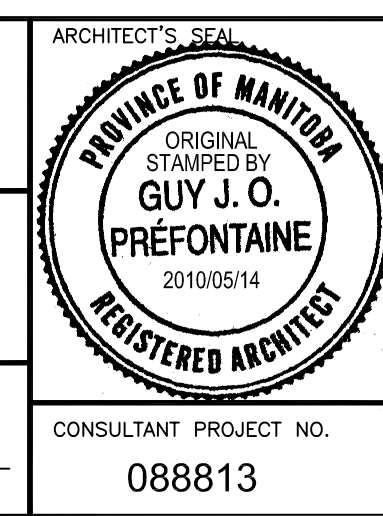


**BARRIER BASE** 13  
SCALE 1:10



LOCATION UNDERGROUND	APPROVED STRUCTURES	B.M. ELEV.
SUPPLY U/G STRUCTURES COMMITTEE	DATE	
NOTE: LOCATION OF UNDERGROUND STRUCTURES AS SHOWN ARE BASED ON THE BEST INFORMATION AVAILABLE. BUT NO GUARANTEE IS GIVEN THAT ALL EXISTING UTILITIES ARE SHOWN OR THAT THE GIVEN LOCATIONS ARE EXACT. CONFIRMATION OF EXISTENCE AND EXACT LOCATION OF ALL SERVICES MUST BE OBTAINED FROM THE INDIVIDUAL UTILITIES BEFORE PROCEEDING WITH CONSTRUCTION.		
2	ISSUED FOR ADDENDUM #2	10/06/11 KM
1	ISSUED FOR TENDER	10/05/14
NO.	REVISIONS	DATE BY

DESIGNED BY	DRAWN BY	CHECKED BY	APPROVED BY
	dk es re		
HOR. SCALE	as noted	VERTICAL	
DATE	06/05/2010	DATE	2010/05/14



**THE CITY OF WINNIPEG TRANSIT DEPARTMENT**

Winnipeg

**SOUTHWEST RAPID TRANSIT CORRIDOR - STAGE 1**  
OSBORNE STATION & ASSOCIATED WORKS

INTERIOR ELEVATIONS & DETAILS

CITY DRAWING NUMBER: B237-10-83  
SHEET 83 OF 121  
CONSULTANT DRAWING NUMBER: C5-A2012-T

CONSULTANT PROJECT NO. 088813

H:\2009\09193 Osborne BRT Station\W5-C5-A2012-T-interior elevations - details.dwg