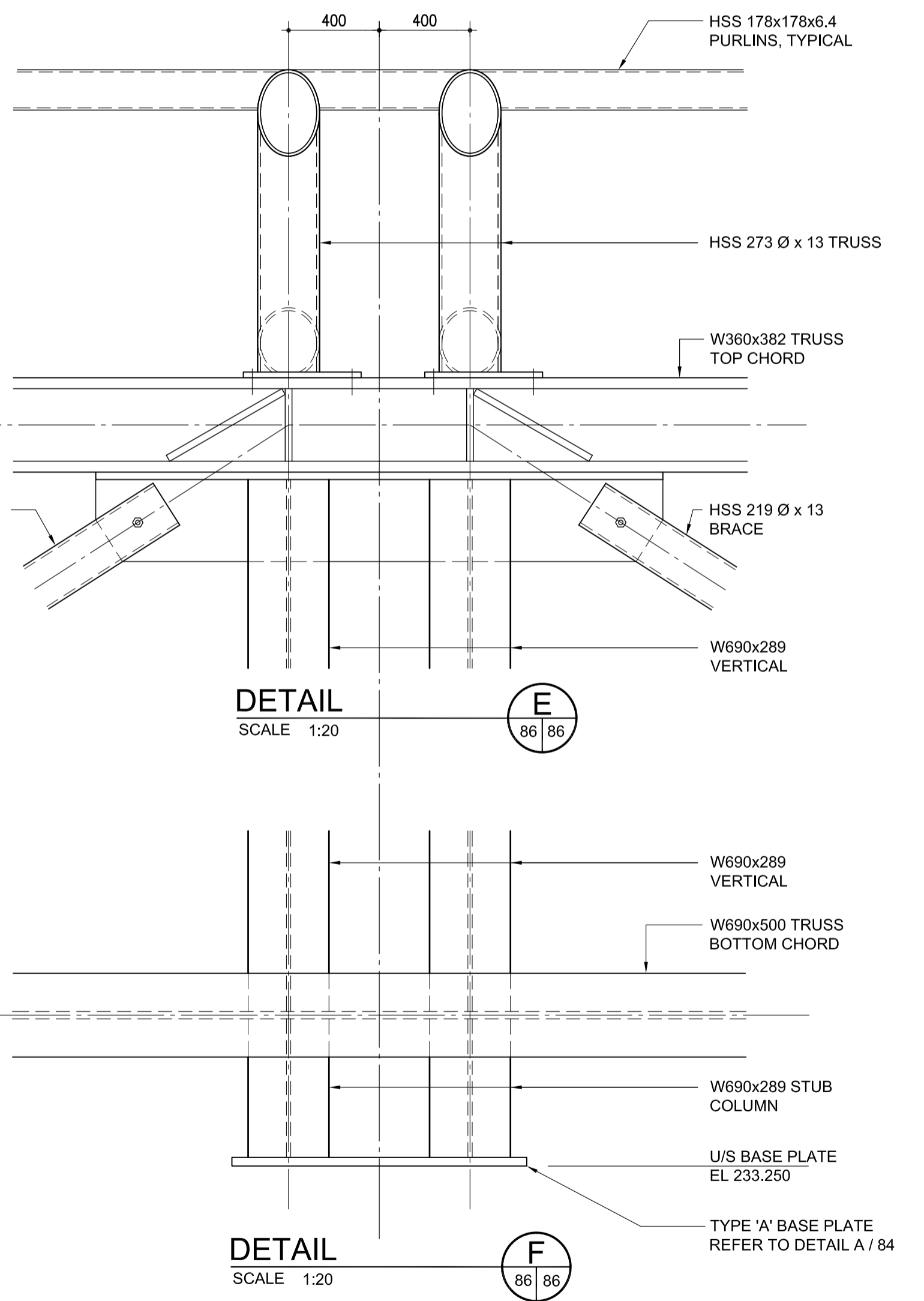
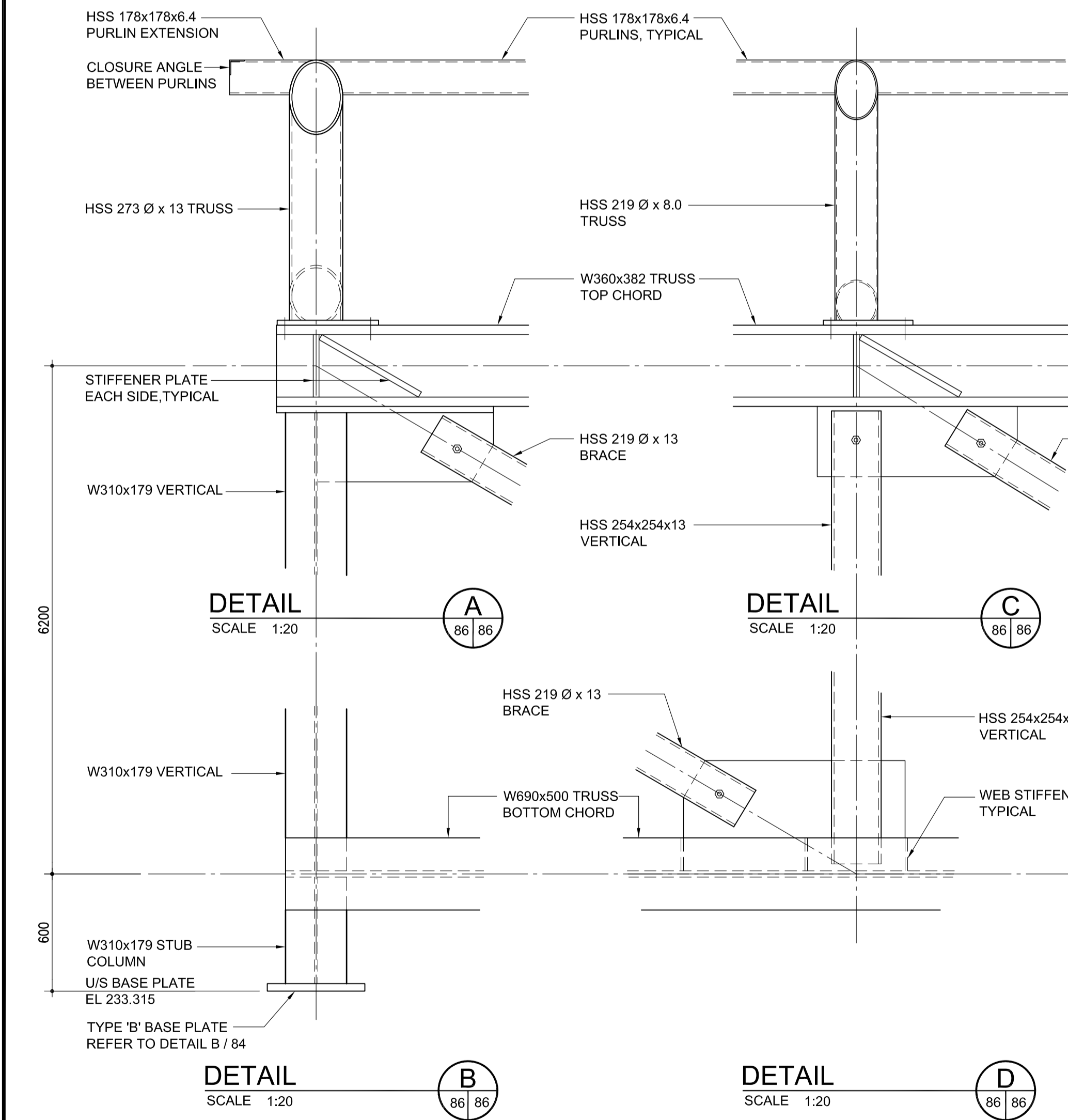


NOTE:  
ALL FORCES ARE IN KN  
ALL FORCES ARE FACTORED LOADS

SECTION 1  
SCALE 1:100  
PROVIDE 13 Ø DRAIN HOLES  
IN ALL HSS FRAMING &  
IN WEB OF W690 TRUSS BOTTOM CHORD



2 REFER TO ADDENDUM #2 FOR WRITTEN DESCRIPTION OF REVISIONS MADE TO DRAWINGS.

**APEGM**  
Certificate of Authorization  
**Crosier Kilgour & Partners Ltd.**  
No. 235 Date: May 14, 2010

LOCATION UNDERGROUND	APPROVED STRUCTURES	B.M. ELEV.

DESIGNED BY: BMN / TKM	DRAWN BY: CL
CHECKED BY: BMN / TKM	APPROVED BY:
HOR. SCALE: 2010/05/14	
VERTICAL: 2010/05/14	



**THE CITY OF WINNIPEG**  
TRANSIT DEPARTMENT

SOUTHWEST RAPID TRANSIT CORRIDOR - STAGE 1  
OSBORNE STATION & ASSOCIATED WORKS

CITY DRAWING NUMBER: B237-10-86  
SHEET 86 OF 121  
CONSULTANT DRAWING NUMBER: C5-S2102-T

SECTION & DETAILS

CONSULTANT PROJECT NO. 088813

RELEASSED FOR CONSTRUCTION  
ORIGINAL SIGNED BY RANDY FINGAS  
DATE 2010/05/14

FA 2009 \ 1200-1209\ 2009-1280.dwg 2009-1280\_S2102-S2106 Sections.dwg  
 300-275 Carlton Street  
 Winnipeg, Manitoba R2C 5R6  
 T 204.943.7501  
 F 204.943.7507  
 2009-1280  
 Crosier Kilgour & Partners Ltd.  
 CONSULTING STRUCTURAL ENGINEERS