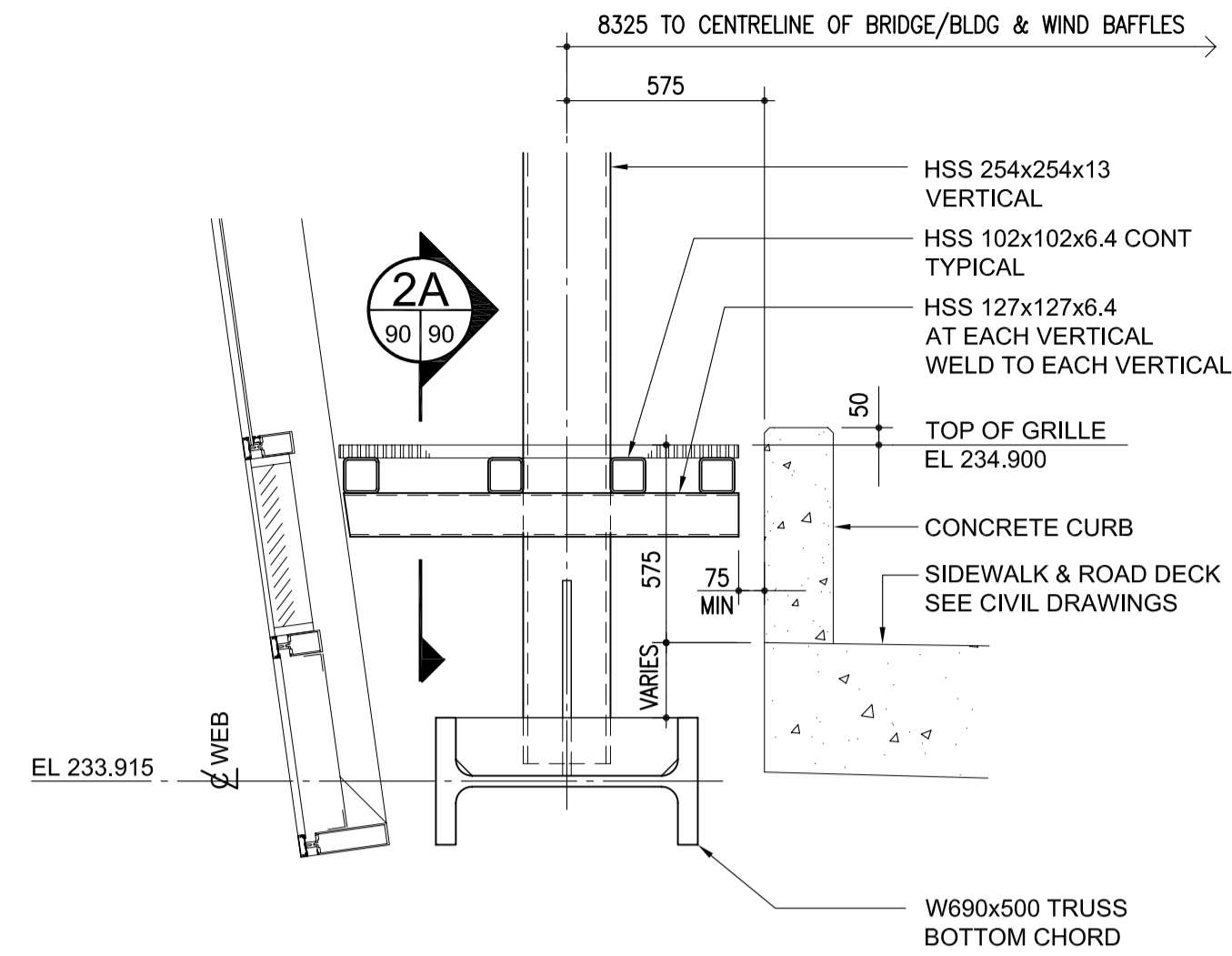
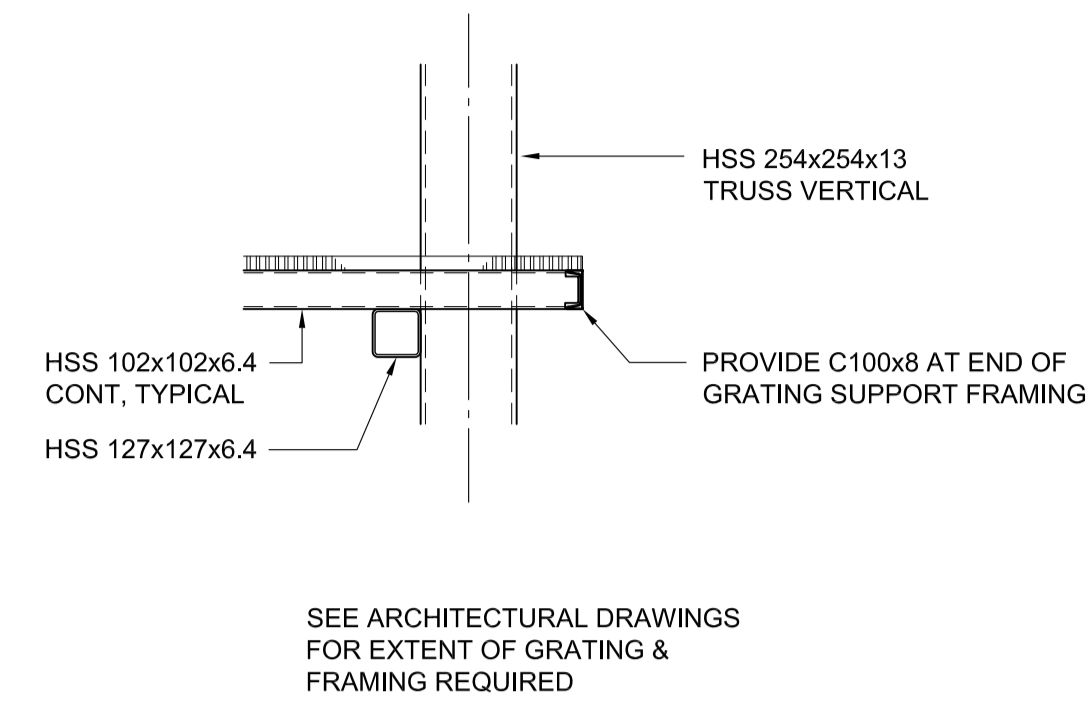


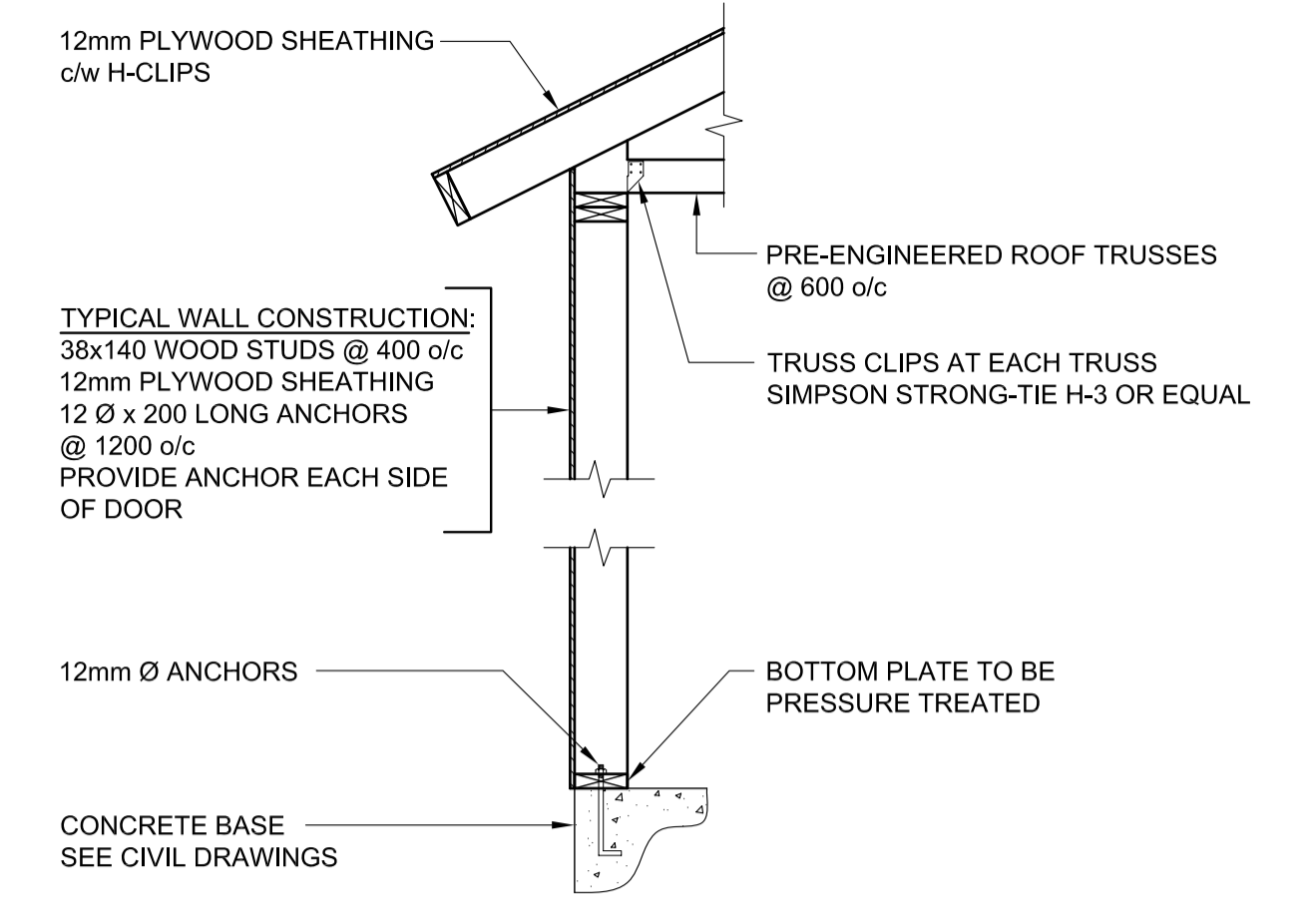
SECTION 1
SCALE 1:100



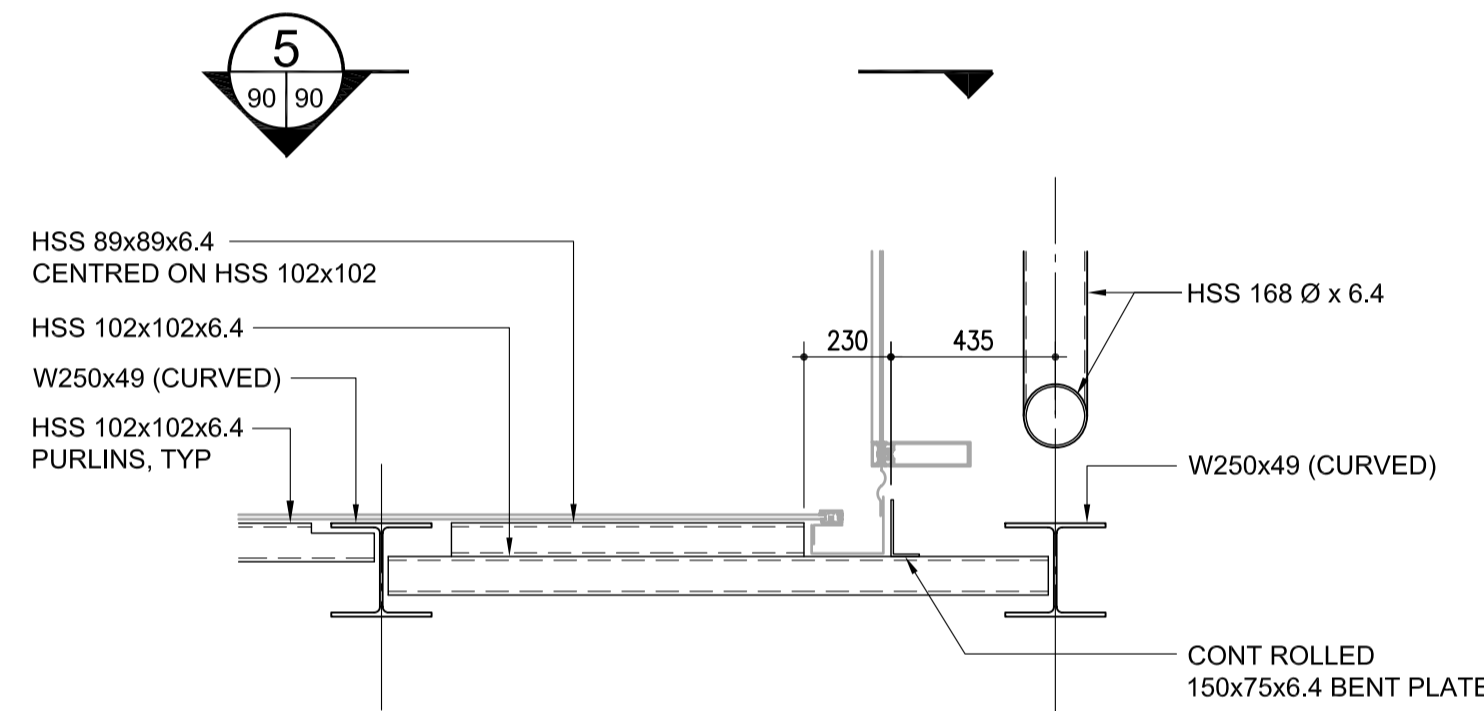
SECTION 2
SCALE 1:20



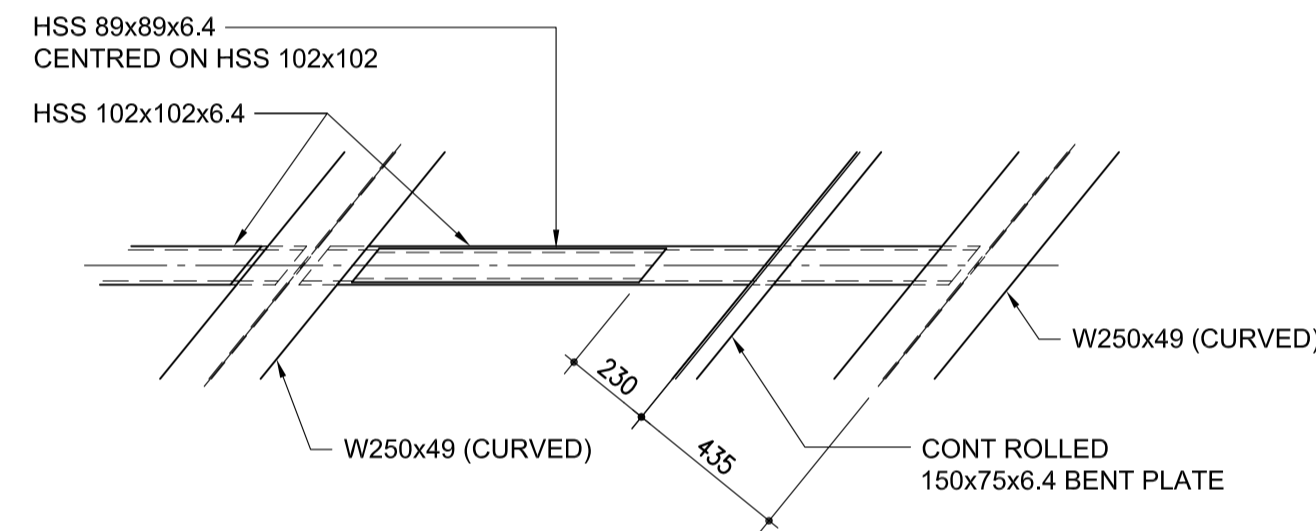
SECTION 2A
SCALE 1:20



SECTION 3
SCALE 1:100



SECTION 4
SCALE 1:20



SECTION 5
SCALE 1:20

FA:2009-1200-1280-1280-1280.dwg 2009-1280-S2102-S2106 Sections.dwg

300-275 Carlton Street
Winnipeg, Manitoba R2C 5R6
T 204.943.7501
F 204.943.7507
2009-1280

Crosier Kilgour & Partners Ltd.
CONSULTING STRUCTURAL ENGINEERS

REFER TO ADDENDUM #2 FOR WRITTEN DESCRIPTION OF REVISIONS MADE TO DRAWINGS.

APEGM
Certificate of Authorization
Crosier Kilgour & Partners Ltd.
No. 235 Date: May 14, 2010

LOCATION UNDERGROUND APPROVED STRUCTURES SUPV. U/G STRUCTURES COMMITTEE DATE NOTE: LOCATION OF UNDERGROUND STRUCTURES AS SHOWN ARE BASED ON THE BEST INFORMATION AVAILABLE BUT NO GUARANTEE IS GIVEN THAT ALL EXISTING UTILITIES ARE SHOWN OR THAT THE GIVEN LOCATIONS ARE EXACT. CONFIRMATION OF EXISTENCE AND EXACT LOCATION OF ALL SERVICES MUST BE OBTAINED FROM THE INDIVIDUAL UTILITIES BEFORE PROCEEDING WITH CONSTRUCTION.	B.M. ELEV. DESIGNED BY: BMN / TKM DRAWN BY: CL CHECKED BY: BMN / TKM APPROVED BY: HOR. SCALE: RELEASED FOR CONSTRUCTION VERTICAL: ORIGINAL SIGNED BY RANDY FINGAS DATE: 2010/05/14	 CONSULTANT PROJECT NO. 088813	THE CITY OF WINNIPEG TRANSIT DEPARTMENT SOUTHWEST RAPID TRANSIT CORRIDOR - STAGE 1 OSBORNE STATION & ASSOCIATED WORKS SECTIONS	CITY DRAWING NUMBER: B237-10-90 SHEET 90 OF 121 CONSULTANT DRAWING NUMBER: C5-2106-T
---------------------------------------------------------------------------------------------------------------------------------------------------------------------------------------------------------------------------------------------------------------------------------------------------------------------------------------------------------------------------------------------------------------------------------------------	---------------------------------------------------------------------------------------------------------------------------------------------------------------------------------------------------------	---------------------------------------	----------------------------------------------------------------------------------------------------------------------------------------------------------	--------------------------------------------------------------------------------------------