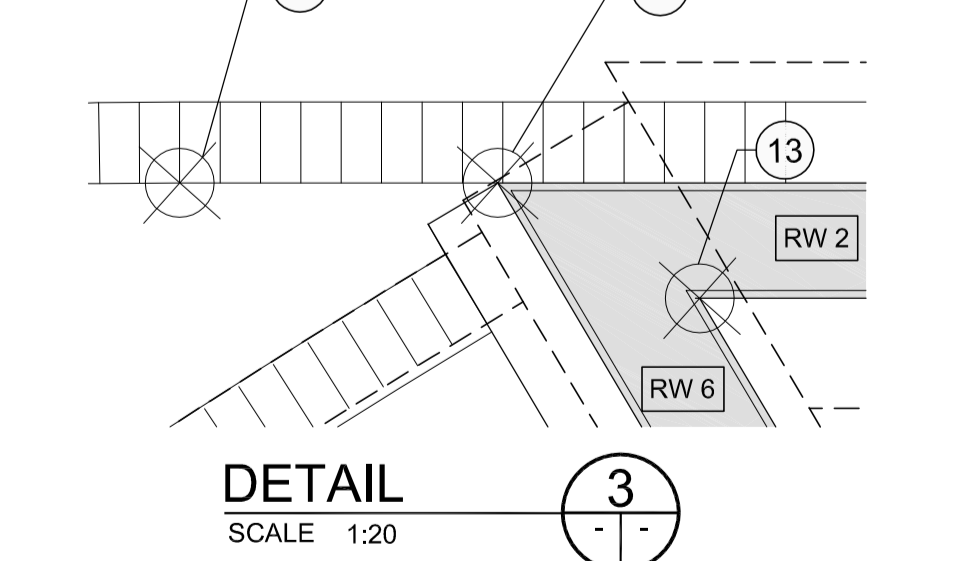


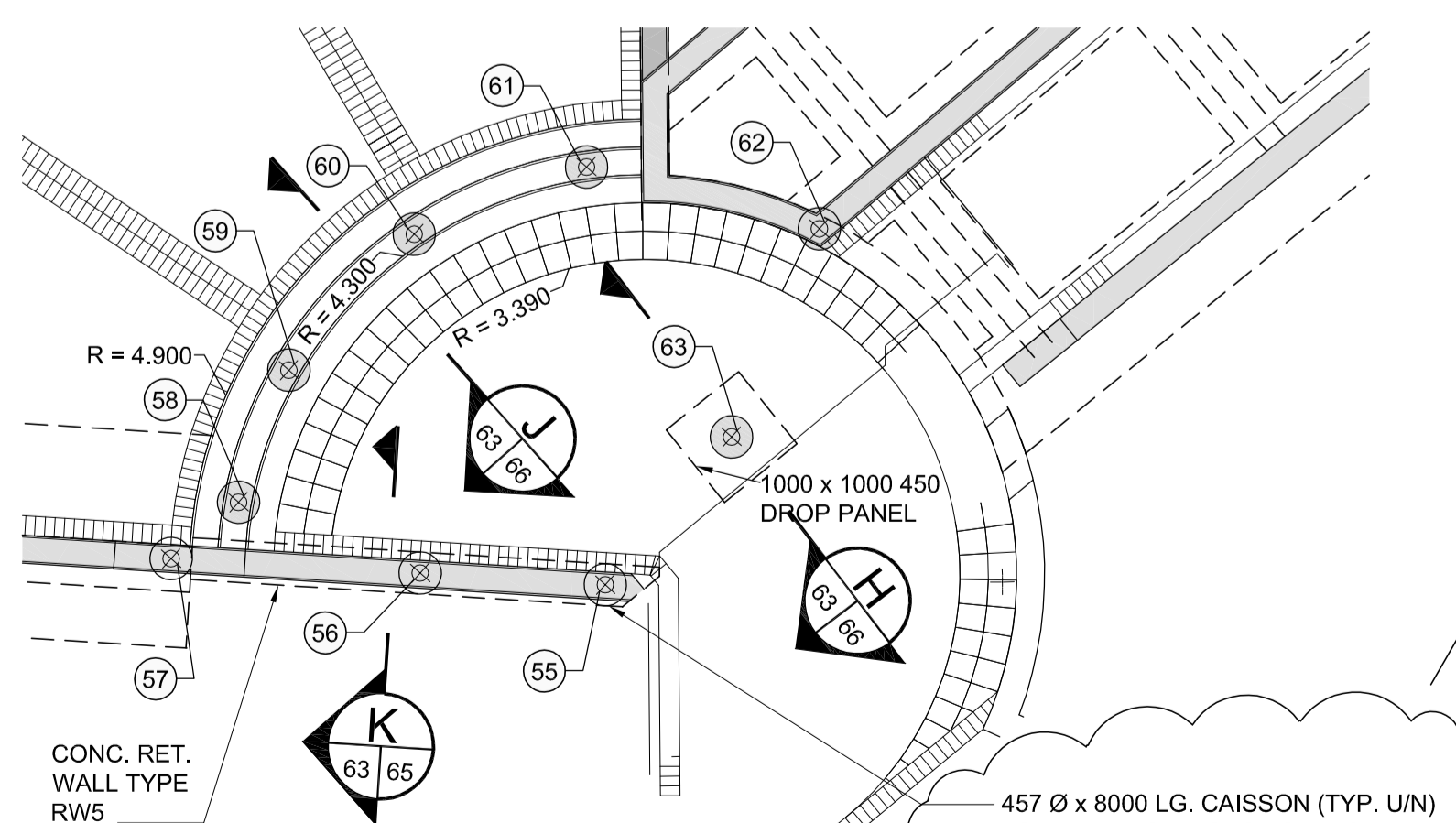
DETAIL 2
SCALE 1:75

CONTROL POINT No.	DESCRIPTION	COORDINATES IN UTM		
		NORTHING	EASTING	ELEVATION
1	RADIUS POINT (TOP OF WALL)	5527535.766	633732.398	234.500
2	RADIUS POINT	5527535.377	633717.974	233.500
3	RADIUS POINT	5527549.807	633729.250	234.000
4	EDGE OF RTW	5527533.675	633728.626	234.500
5	EDGE OF RTW	5527533.082	633727.355	234.000
6	CORN. OF RTW	5527527.873	633716.188	233.400
7	EDGE OF RTW (E. R.)	5527528.143	633714.058	233.400
8	CORN. OF RTW	5527537.063	633714.415	233.400
9	CORN. OF RTW	5527537.335	633714.748	233.400
10	CORN. OF CURB	5527537.933	633704.624	231.933
11	CORN. OF CURB	5527538.247	633704.483	231.933
12	CORN. OF RTW	5527547.880	633712.091	232.080
13	CORN. OF RTW	5527547.869	633712.696	232.080
14	CORN. OF RTW	5527545.259	633717.070	233.430
15	CORN. OF RTW	5527544.849	633717.172	233.430
16	CORN. OF RTW (E. R.)	5527551.521	633723.631	234.000
17	CORN. OF RTW	5527551.259	633723.777	234.000
18	CORN. OF RTW	5527548.323	633725.411	234.000
19	PAVER BAND	5527548.220	633725.228	233.500
20	CORN. OF RTW	5527546.839	633726.236	234.000
21	CORN. OF RTW	5527540.397	633729.821	234.500
22	CORN. OF RTW	5527540.420	633730.152	234.500
23	CORN. OF RTW	5527539.661	633730.574	234.500
24	CORN. OF RTW	5527539.262	633730.452	234.500
25	CORN. OF RTW	5527539.787	633732.366	234.500
26	CORN. OF RTW	5527540.060	633732.158	234.500
27	EDGE OF RTW (B. R.)	5527557.909	633724.827	234.000
28	EDGE OF RTW (B. R.)	5527555.276	633726.265	234.000
29	EDGE OF RTW (B. R.)	5527553.520	633727.224	234.000
30	CORN. OF RTW	5527550.399	633733.439	234.000
31	CORN. OF RTW	5527550.110	633735.474	234.000
32	CORN. OF RTW	5527549.732	633735.781	234.000
33	CORN. OF RTW	5527547.826	633735.158	234.000
34	CORN. OF RTW	5527548.131	633732.816	234.000
35	CORN. OF RTW	5527548.116	633733.132	234.000
36	CORN. OF RTW (E. R.)	5527547.557	633735.061	234.000
37	E. R.	5527546.249	633737.769	234.000
38	B. R.	5527528.893	633706.027	231.345
39	E. R.	5527547.484	633711.366	232.080
40	CNTR OF PILE	5527537.675	633709.382	231.125
41	CNTR OF PILE	5527540.309	633709.752	231.125
42	CNTR OF PILE	5527542.899	633710.428	231.125
43	CNTR OF PILE	5527545.394	633711.399	231.125
44	CNTR OF PILE	5527547.744	633712.643	231.125
45	CNTR OF PILE	5527546.462	633714.790	231.125
46	CNTR OF PILE	5527544.353	633713.673	231.125
47	CNTR OF PILE	5527542.129	633712.807	231.125
48	CNTR OF PILE	5527539.819	633712.204	231.125
49	CNTR OF PILE	5527537.455	633711.873	231.125
50	CORN. OF RTW	5527551.405	633724.039	234.000
51	EDGE OF RTW	5527537.295	633711.807	234.430
52	EDGE OF RTW	5527537.560	633708.819	232.080
53	EDGE OF RTW	5527546.601	633714.822	233.430
54	EDGE OF RTW	5527530.137	633721.041	234.000/233.535
55	CNTR OF PILE	5527535.467	633732.078	233.000
56	CNTR OF PILE	5527534.623	633730.269	233.000
57	CNTR OF PILE	5527533.476	633727.843	233.000
58	CNTR OF PILE	5527534.355	633728.189	233.450
59	CNTR OF PILE	5527535.862	633727.984	233.450
60	CNTR OF PILE	5527537.792	633728.467	233.450
61	CNTR OF PILE	5527539.314	633729.748	233.450
62	CNTR OF PILE	5527539.931	633732.264	233.860
63	CNTR OF PILE	5527537.513	633732.508	233.885
64	CORN OF CURB	5527525.289	633707.931	231.098

FOUNDATION PLAN
SCALE 1:75



DETAIL 3
SCALE 1:20



DETAIL PILE LAYOUT
SCALE 1:75

APEGM
Certificate of Authorization
Dillon Consulting Limited (MB)
No. 1789 Date: 2010/05/14

NO.	REVISIONS	DATE	BY
3	ISSUED FOR ADDENDUM #3	10/06/23	DPK
2	ISSUED FOR ADDENDUM #2	10/06/11	DPK
1	ISSUED FOR TENDER	10/05/14	DPK

LOCATION	APPROVED UNDERGROUND STRUCTURES	B.M. ELEV.	654265 (633392.694, 5525026.192)	232.518
SUPV. U/G STRUCTURES COMMITTEE	DATE			

DESIGNED BY	FAK
DRAWN BY	NBG /PMW
CHECKED BY	SSR
APPROVED BY	DPK
HOR. SCALE	
VERTICAL	
DATE	2010/05/14

DILLON CONSULTING

RELEASED FOR CONSTRUCTION
ORIGINAL SIGNED BY RANDY FINGAS
DATE 2010/05/14

ENGINEER'S SEAL
PROVINCE OF MANITOBA
ORIGINAL STAMPED BY
S.S. RIHAL
2010/05/14
REGISTERED PROFESSIONAL ENGINEER

THE CITY OF WINNIPEG
TRANSIT DEPARTMENT

Winnipeg

SOUTHWEST RAPID TRANSIT CORRIDOR - STAGE 1
OSBORNE STATION & ASSOCIATED WORKS

EAST SIDE PEDESTRIAN PLAZA - FOUNDATION & FRAMING LAYOUT

CITY DRAWING NUMBER
B237-10-63

SHEET **63** OF **121**

CONSULTANT DRAWING NUMBER
C5-S1148-T

CONSULTANT PROJECT NO.
088813

G:\CAD\088813\Contract\Contract 5 - Osborne Station\Current\Bridges\C5-S1140-EAST PLAZA FRAMING.dwg